

CLXI-1MC4

4 Channel Motor Control Module, Single Feed - International Version, 230V

As part of a complete Crestron lighting system, the CLXI-1MC4 motor control module provides control of up to 4 bidirectional motors for drapes, blinds, projection screens, lifts, etc. Each channel is rated for 8 Amps or 1 HP, with a total module rating of 13 Amps.

The CLXI-1MC4 occupies a single module space in any **CAEN** or **CAENIB** automation enclosure. Termination of high-voltage wiring to the module is facilitated by a **CLTI-1MC4** terminal block, sold separately to enable termination of the wiring anytime prior to installing the module. CLXI modules are controlled by the **PAC2** and **PAC2M** professional automation control systems via the Cresnet network. A 5-wire link provides bussing of the Cresnet and override signals between modules within an enclosure (interconnect jumpers included).

SPECIFICATIONS

Load Ratings

Motor Control Channels: 4

Per Channel: 8 Amps, 1 HP

Module Total: 13 Amps

Load Types: 3-Wire Bidirectional Motors

Power Requirements

230 Volts AC, 50/60Hz, single-phase

Connectors on Module

Module Interconnect: (2) 5-pin 0.156 inch headers;

Cresnet/Override interconnect ports;

Connect to [PAC2](#), [PAC2M](#), [CAEN-BLOCK](#)

Connections via CLTI or CLTIBN Terminal Block (sold separately)

LINE: (1) DIN rail terminal block, brown, line power input

OPEN 1 - 4: (4) DIN rail terminal blocks, red;

CLOSE 1 - 4: (4) DIN rail terminal blocks, yellow;

N IN: (1) DIN rail terminal block, blue, line input neutral

N OUT 1 - 4: (4) DIN rail terminal blocks, blue, channel

output neutrals

Buttons

SETUP: Used for TSID

LED Indicators

PWR: (green) Indicates line power is applied to the LINE terminal

NET: (yellow) Indicates communication with the control system

1 - 8: (red x8) Indicates state of each channel

SETUP: (red) Indicates unit is in setup/manual mode

Environmental

Temperature: 32° to 104°F (0° to 40°C)

Humidity: 10% to 90% RH (non-condensing)

Heat Dissipation: 21 BTU/Hr at maximum load

Enclosure

Gray metal with black heat sink, surface mount module with (2) integral mounting flanges;

Occupies 1 module space in any [CAEN](#) or [CAENIB](#)

CLXI-1MC4

4 Channel Motor Control Module, Single Feed - International

Dimensions

Height: 7.59 in (19.27 cm)

Width: 6.92 in (17.57 cm)

Depth: 3.43 in (8.70 cm)

Weight

3.00 lb (1.36 kg)

Compliance

In the CSEA region, available in Macau & Hong Kong only.

ACCESSORIES

CAEN-2X1:

CLTI-1MC4:

CAEN-4X1:

CAEN-4X2:

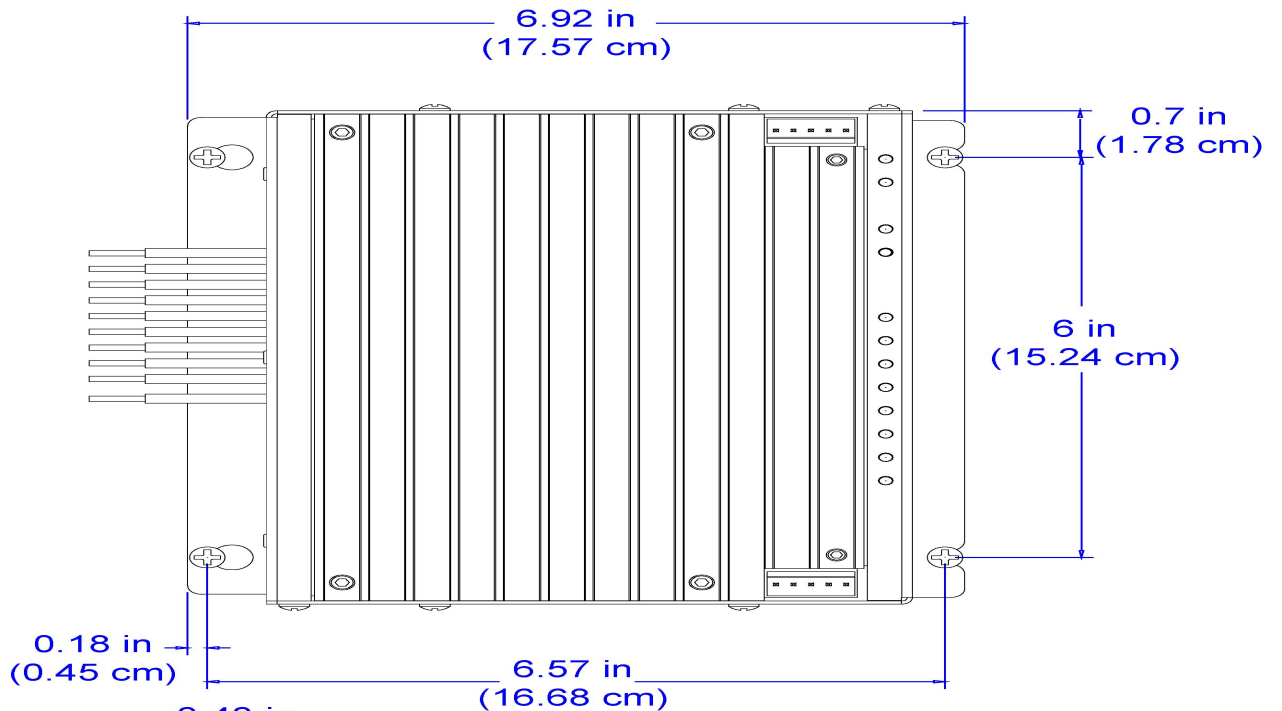
CAEN-7X1:

CAEN-7X2:

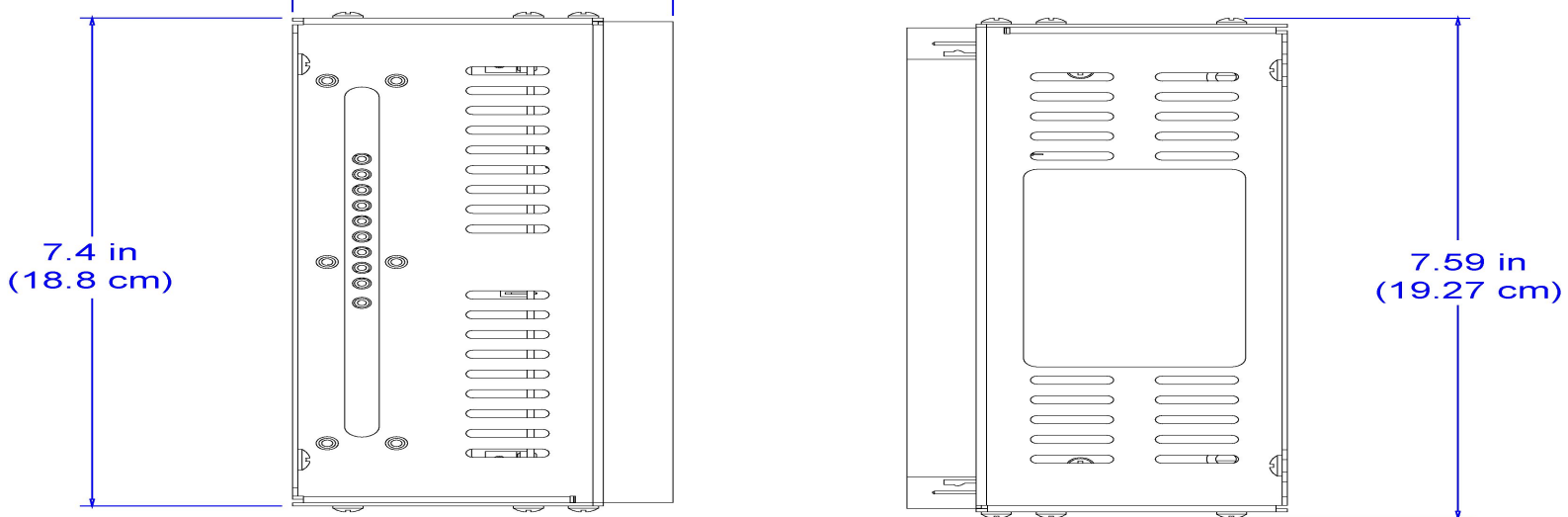
CLXI-1MC4

4 Channel Motor Control Module, Single Feed -

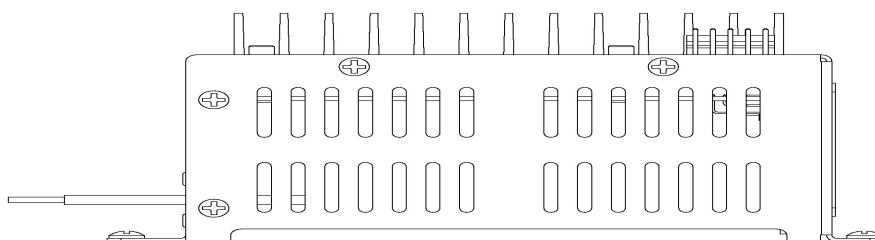
Front



Sides



Top



CLXI-1MC4

4 Channel Motor Control Module, Single Feed -

