

## Quad 1-to-2 HDMI® Distribution Amplifier

The Crestron® [HD-DA-2-QUAD](#) is a single rack space unit containing four independent 1-to-2 HDMI® distribution amplifiers. It is designed for splitting up to four HDMI, DVI, or DisplayPort™ Multimode signals to feed separate displays or processors, and is ideal for adding "loop-through" capability to the inputs of a Crestron DVPHD Digital Video Processor. The HD-DA-2-QUAD supports HDMI with Deep Color and HDCP, handling 1080p60 HDTV and WUXGA computer resolutions, and multichannel HD lossless audio.



### In the Box

- 1 HD-DA-2-QUAD, Quad 1-to-2 HDMI Distribution Amplifier

#### Additional Items

- 2 Bracket, Rack Ear, 1U (2004208)
- 1 Connector, 2-Pin (2003574)
- 4 Foot, 0.5 in. x 0.5 in. x 0.23 in., Adhesive (2002389)
- 1 Cable, Power, 5 ft 10 in. (1.8 m) (2042043)
- 1 Power Pack, 24 VDC, 2.5 A, 100-240 VAC (2045873)

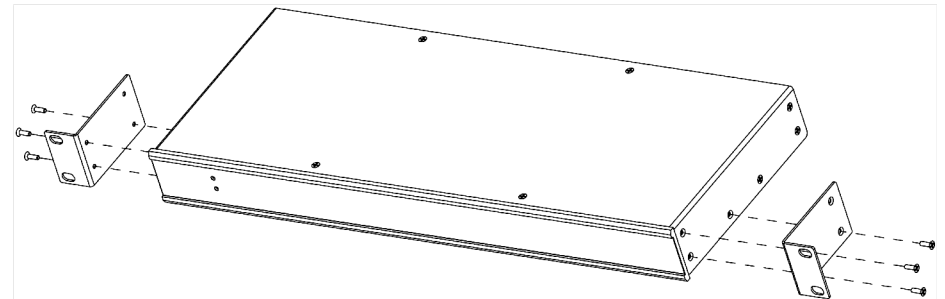


## Install the Device

The HD-DA-2-QUAD can be mounted into a rack or placed on a flat surface.

### Mount into a Rack

The HD-DA-2-QUAD occupies 1U of rack space. Use the three screws from the front part of each side panel, and a #1 or #2 Phillips screwdriver to attach the two included rack ears to the device, as shown in the following illustration. Then mount the device into the rack using four mounting screws (not included).



### Rack Mounting Safety Precautions

**Elevated Operating Ambient Temperature:** If installed in a closed or multi-unit rack assembly, the operating ambient temperature of the rack environment may be greater than room ambient temperature. Therefore, consideration should be given to installing the equipment in an environment compatible with the maximum ambient temperature (T<sub>ma</sub>) specified by the manufacturer.

**Reduced Airflow:** Installation of the equipment in a rack should be such that the amount of airflow required for safe operation of the equipment is not compromised.

## Quad 1-to-2 HDMI® Distribution Amplifier

**Mechanical Loading:** Mounting of the equipment in the rack should be such that a hazardous condition is not achieved due to uneven mechanical loading.

**Circuit Overloading:** Consideration should be given to the connection of the equipment to the supply circuit and the effect that overloading of the circuits might have on overcurrent protection and supply wiring. Appropriate consideration of equipment nameplate ratings should be used when addressing this concern.

**Reliable Earthing:** Reliable earthing of rack-mounted equipment should be maintained. Particular attention should be given to supply connections other than direct connections to the branch circuit (e.g., use of power strips).

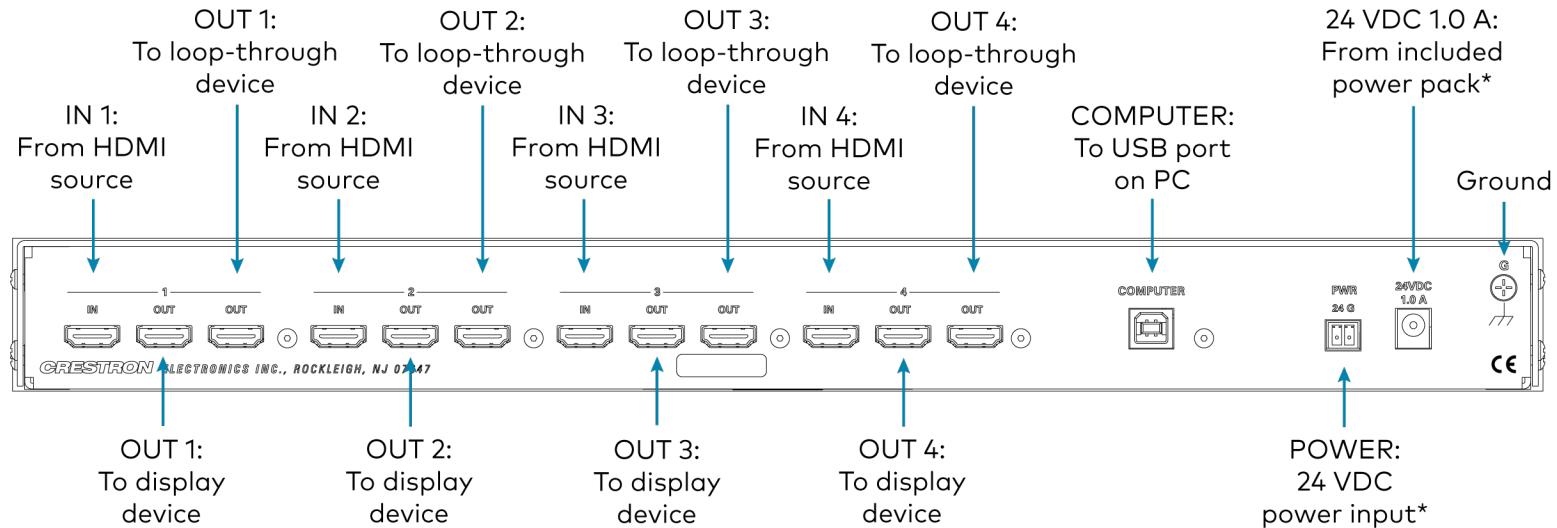
## Place on a Flat Surface

Attach the included feet near the corners on the underside of the HD-DA-2-QUAD before placing it onto a flat surface or stacking it with other equipment.

## Quad 1-to-2 HDMI® Distribution Amplifier

### Connect the Device

Connect the HD-DA-2-QUAD as called out in the following illustration.  
Connect power last.



\* The device may be powered by the included 24 VDC power pack or Cresnet network power, but not both.

## Quad 1-to-2 HDMI® Distribution Amplifier



### Visit the Product Page

Scan the QR code to visit the product page.

HD-DA-2-QUAD



[www.crestron.com/model/6502439](http://www.crestron.com/model/6502439)

### Additional Information

#### Original Instructions

The U.S. English version of this document is the original instructions. All other languages are a translation of the original instructions.

Crestron product development software is licensed to Crestron dealers and Crestron Service Providers (CSPs) under a limited nonexclusive, nontransferable Software Development Tools License Agreement. Crestron product operating system software is licensed to Crestron dealers, CSPs, and end-users under a separate End-User License Agreement. Both of these Agreements can be found on the Crestron website at [www.crestron.com/legal/software\\_license\\_agreement](http://www.crestron.com/legal/software_license_agreement).

The product warranty can be found at [www.crestron.com/warranty](http://www.crestron.com/warranty).

The specific patents that cover Crestron products are listed at [www.crestron.com/legal/patents](http://www.crestron.com/legal/patents).

Certain Crestron products contain open source software. For specific information, visit [www.crestron.com/opensource](http://www.crestron.com/opensource).

Crestron and the Crestron logo are either trademarks or registered trademarks of Crestron Electronics, Inc. in the United States and/or other countries. HDMI and the HDMI logo are either trademarks or registered trademarks of HDMI Licensing LLC in the United States and/or other countries. DisplayPort is either a trademark or registered trademark of Video Electronics Standards Association in the United States and/or other countries. Other trademarks, registered trademarks, and trade names may be used in this document to refer to either the entities claiming the marks and names or their products. Crestron disclaims any proprietary interest in the marks and names of others. Crestron is not responsible for errors in typography or photography.

©2020 Crestron Electronics, Inc.

Doc. 6713C

05/08/20