

SAROS ICI4T/SAROS ICI6T Saros® Integrator 2-Way In-Ceiling Speakers

The Saros® Integrator series of 2-way, in-ceiling speakers deliver easy installation and excellent performance in 4- and 6-inch sizes for cost-sensitive commercial applications.

Aside from physical dimensions, the ICI4T and ICI6T speakers install in an identical manner. For simplicity within this guide, the term “speaker” is used except where noted.

DO Install the Speaker

Prepare the Mounting Hole

Before finalizing the speaker location, check to make sure there are no fixtures, pipes, air ducts, joists, or other possible obstructions. If applicable, use a good quality stud finder to locate joists. If there are no obstructions, use the supplied template to trace an outline of the mounting hole.

For drop tile ceilings, remove the ceiling tile and place on a flat surface to trace the mounting hole. For drywall or standard construction ceilings, use the template to trace the mounting hole directly on the ceiling.

Install the Speaker Cable

Run the speaker cable from the audio source to the speaker location, observing all appropriate local codes. Strip the ends of the speaker cable’s wires approximately 1/8” to 3/16” (~3 mm to ~5 mm), and twist the strands.

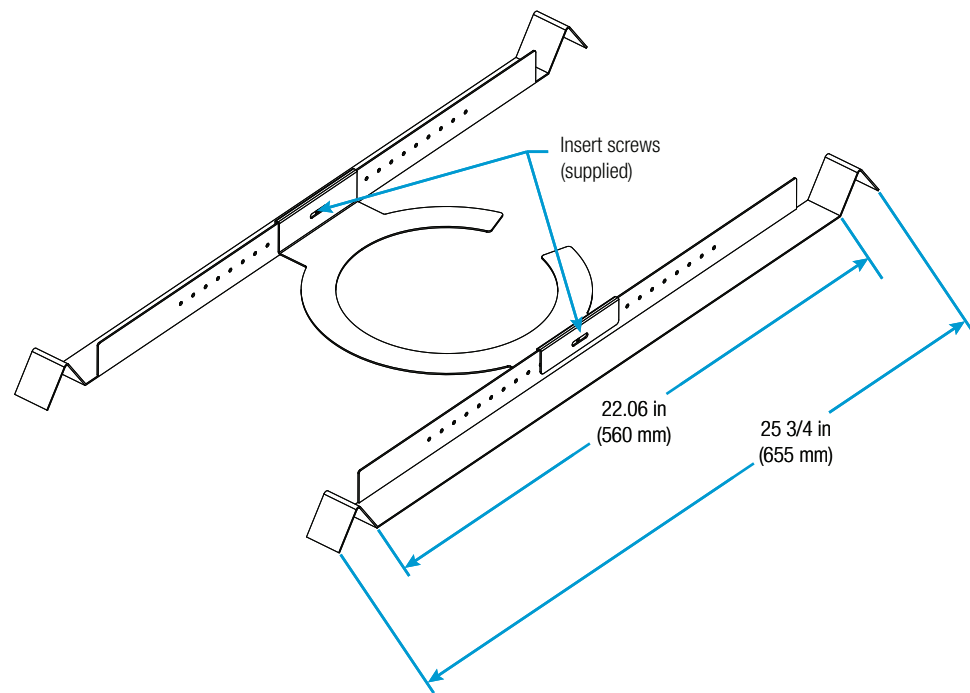
NOTE: Install in accordance with all local and national electrical codes.

Install the Tile Bridge (Drop Tile Ceiling Installations Only)

The included tile bridge components provide proper support when the speaker is installed in a typical drop tile ceiling, as shown in the following diagram.

1. Based on the location of the mounting hole determined in “Prepare the Mounting Hole” above, use the two supplied screws to attach the support ring to the rails so that when installed, the ring is aligned with the mounting hole and the rails rest on the ceiling grid frame.
2. The support ring position on the rails is adjustable to enable off-center speaker positioning. The tile bridge assembly can be maneuvered to fit through the speaker cutout in blind-mount situations.

Tile Bridge Assembly

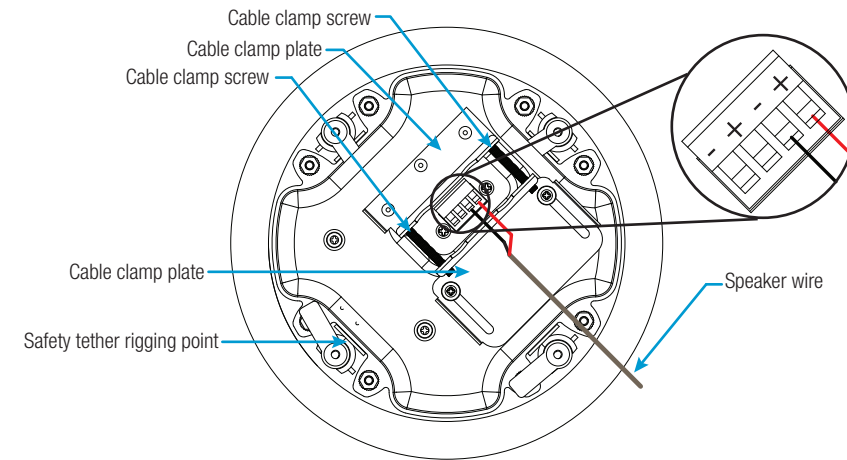


DO Check the Box

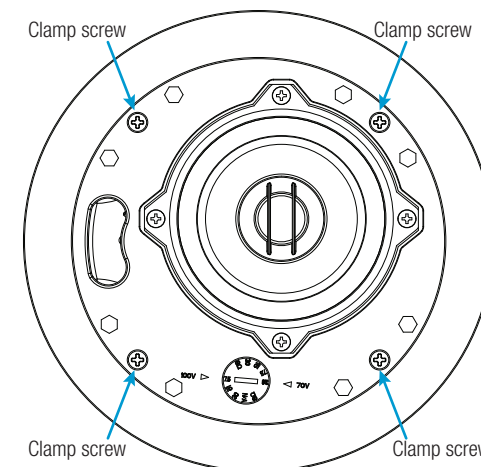
QUANTITY	ITEM	PART NUMBER
1	Rails, Mounting	2046653
Items for SAROS ICI4T		
1	Template, Cutout	2046997
1	Grille	2047257
1	C-Ring, Mounting	2047136
Items for SAROS ICI6T		
1	Template, Cutout	2046996
1	Grille	2047256
1	C-Ring, Mounting	2047137

Mount or Remove the Speaker

1. Remove the connector from the speaker and terminate the wires, using the terminals as shown in the following diagram: red to + and black to -. Use the second terminal pair + and - (not terminated in the diagram) as a pass-thru connection (parallel) to additional speakers.



2. Route the connector and speaker cable between the cable clamp plates and attach the connector to the speaker.
3. Tighten the two cable clamp screws to engage the cable clamp plates and secure the conduit (if used) and speaker cable(s). Do not overtighten.
4. Attach the SPKA-ST-15 Safety Tether/Tie Down Kit (sold separately) to the rigging point on the rear of the speaker enclosure, and secure it to the structure as may be required by local building codes.
5. Insert and secure the speaker into the ceiling. The speaker has four toggle clamps that simplify the mounting process. The toggle clamps offer two positions to accommodate both standard and extra thick surfaces up to 2.4 inches (61 mm). For extra thick tiles, reset the toggle clamps to the upper position before continuing.
 - a. With the toggle clamps turned inward, insert the speaker into the opening.
 - b. Hold the speaker against the ceiling and begin tightening the four screws (shown in the following diagram) on the front of the speaker. The toggle clamps first rotate into clamping position (as indicated in the illustration below) and then begin holding the speaker to the ceiling.



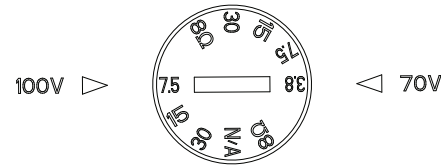
- c. Tighten the screws until the speaker is secure. Do not overtighten.

Remove the speaker by performing step 5 in reverse.



Set the Transformer Tap Selector Switch

The speakers are equipped with a 70/100 V matching transformer for distributed audio systems. The transformer tap selector switch on the front panel is used to set the speaker power level. Use a flat blade screwdriver to adjust the switch shown in the following diagram.



- For SAROS ICI4T and SAROS ICI6T 70 V systems, use the **70V** settings and select from **3.8**, **7.5**, **15**, or **30** watts.
- For SAROS ICI4T and SAROS ICI6T 100 V systems, use the **100V** settings and select from **7.5**, **15**, or **30** watts. The **N/A** position should not be used.

The switch may also be set to **8Ω** operation, bypassing the transformer completely. This setting should be used only for 8 Ω audio systems.

Install or Remove the Grille

To install the grille, place the grille in position on the speaker and press around the perimeter until the grille is in place.

To remove the grille, use an unfolded paper clip to hook into the grille and pull it away from the speaker.

DO Learn More

Visit the website for additional information and the latest firmware updates. To learn more about this product, use a QR reader application on your mobile device to scan the QR images.

Crestron Electronics

15 Volvo Drive, Rockleigh, NJ 07647

888.CRESTRON | www.crestron.com

SAROS ICI4T



SAROS ICI6T



As of the date of manufacture, the product has been tested and found to comply with specifications for CE marking.



This product is Listed to applicable UL® Standards and requirements by Underwriters Laboratories Inc.
Ce produit est homologué selon les normes et les exigences UL applicables par Underwriters Laboratories Inc.

Federal Communications Commission (FCC) Compliance Statement

This device complies with part 15 of the FCC Rules. Operation is subject to the following two conditions:

(1) This device may not cause harmful interference, and (2) this device must accept any interference received, including interference that may cause undesired operation.

CAUTION: Changes or modifications not expressly approved by the manufacturer responsible for compliance could void the user's authority to operate the equipment.

NOTE: This equipment has been tested and found to comply with the limits for a Class B digital device, pursuant to part 15 of the FCC Rules. These limits are designed to provide reasonable protection against harmful interference in a residential installation. This equipment generates, uses and can radiate radio frequency energy and, if not installed and used in accordance with the instructions, may cause harmful interference to radio communications. However, there is no guarantee that interference will not occur in a particular installation.

If this equipment does cause harmful interference to radio or television reception, which can be determined by turning the equipment off and on, the user is encouraged to try to correct the interference by one or more of the following measures:

- Reorient or relocate the receiving antenna.
- Increase the separation between the equipment and receiver.
- Connect the equipment into an outlet on a circuit different from that to which the receiver is connected.
- Consult the dealer or an experienced radio/TV technician for help.

Industry Canada (IC) Compliance Statement

CAN ICES-3(B)/NMB-3(B)

Crestron product development software is licensed to Crestron dealers and Crestron Service Providers (CSPs) under a limited non-exclusive, non-transferable Software Development Tools License Agreement. Crestron product operating system software is licensed to Crestron dealers, CSPs, and end-users under a separate End-User License Agreement. Both of these Agreements can be found on the Crestron website at www.crestron.com/legal/software_license_agreement.

The specific patents that cover Crestron products are listed at <http://www.crestron.com/legal/patents>.

The product warranty can be found at www.crestron.com/legal/sales-terms-conditions-warranties.

Certain Crestron products contain open source software. For specific information, visit www.crestron.com/legal/open-source-software.

Crestron, the Crestron logo, and Saros are either trademarks or registered trademarks of Crestron Electronics, Inc. in the United States and/or other countries. UL and the UL logo are either trademarks or registered trademarks of Underwriters Laboratories, Inc. in the United States and/or other countries. Other trademarks, registered trademarks, and trade names may be used in this document to refer to either the entities claiming the marks and names or their products. Crestron disclaims any proprietary interest in the marks and names of others. Crestron is not responsible for errors in typography or photography.

This document was written by the Technical Publications department at Crestron.

©2018 Crestron Electronics, Inc.

The product warranty can be found at www.crestron.com/warranty.