

DM-NVX-E30C/DM-NVX-D30C

DM NVX™ Network AV Encoder/Decoder Cards

The Crestron® DM-NVX-E30C is a network AV encoder card that transmits ultra high-definition 4K60 4:4:4 HDR video over standard Gigabit Ethernet to a compatible DM NVX™ decoder. The DM-NVX-D30C is a network AV decoder card that receives ultra high-definition 4K60 4:4:4 HDR video from a compatible DM NVX encoder. The DM-NVX-E30C provides a single HDMI® input. The DM-NVX-D30C provides a single HDMI output. The cards feature secure web-based control and management, an analog audio output, and copper LAN connectivity.

Check the Box

Item	Qty
DM-NVX-E30C or DM-NVX-D30C	1
Connector, 5-Pin (P/N 2003577)	1

Install the Card

The DM-NVX-E30C and DM-NVX-D30C are designed to occupy the DMF-CI-8 chassis.

Connect the Device

CAUTIONS:

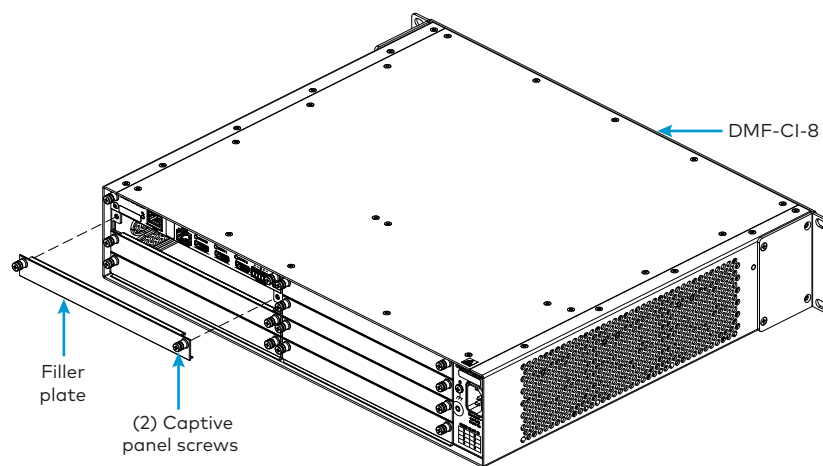
- DM NVX cards are susceptible to damage from electrostatic discharge (ESD). Observe standard ESD precautions when handling the cards. Wear an ESD wrist strap that is connected to ground, and place the cards on grounded surfaces only.
- To prevent damage to a card that is connected to cables, disconnect all cables from the card before installing the card into a card slot or removing the card.

NOTES:

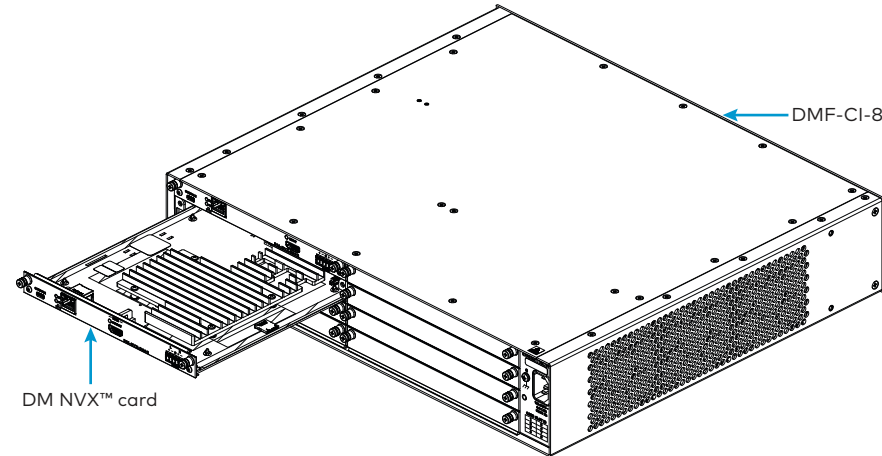
- In a new installation of the DMF-CI-8, it is recommended that the cards be installed before power is applied to the chassis. In an existing installation of the DMF-CI-8, the cards can be added or replaced without the need to shut down the chassis—the cards are hot swappable.
- When installing the cards into a partially populated DMF-CI-8, install the cards into slots 5–8 before using slots 1–4. Doing so ensures better cooling and lower power consumption. In addition, always cover empty slots using the filler plates included with the chassis.

To install a card into the DMF-CI-8:

- Using a #2 Phillips screwdriver (not included) or your fingers, remove the filler plate of an unused slot by loosening the two captive panel screws.



- Carefully insert the card into the card guides of the selected slot, and then push the card inward until it engages the chassis backplane.



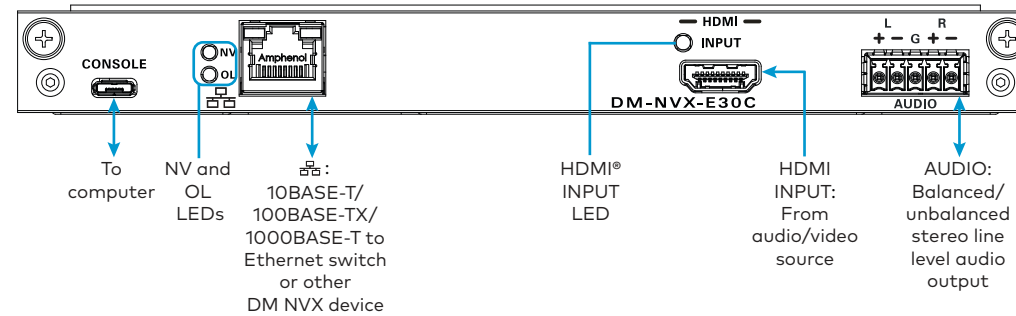
- Finger-tighten the two captive panel screws to secure the card—do not overtighten the screws.

Connect the Device

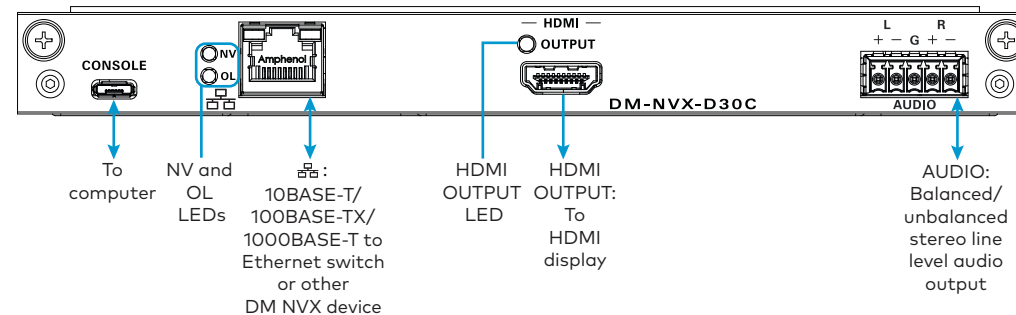
Connect the card as required for the application.

NOTE: The LAN port (LAN) must connect to a 100BASE-T switch in order to stream network video.

DM-NVX-E30C Connections



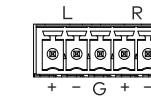
DM-NVX-D30C Connections



AUDIO Connector Pin Assignments

The AUDIO connector uses a 5-pin terminal block for balanced or unbalanced analog audio output.

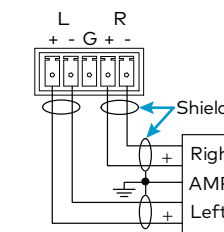
AUDIO Connector



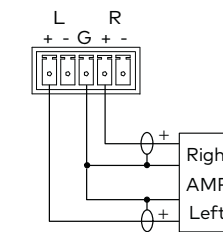
Refer to the following table and diagrams for analog audio output pin assignments and connection information.

Signal Name	Balanced Audio Output	Unbalanced Audio Output
+	L+	L+ Out
-	L-	Open
G	Shield/ground	Common ground
+	R+	R+ Out
-	R-	Open

Balanced Output



Unbalanced Output



LED Indicators

Refer to the following table for information about the LED indicators on the card.

LED Indicator	Color	Meaning
NV	Green	(DM-NVX-E30C only) The device is encoding (transmitting) network video. (DM-NVX-D30C only) The device is decoding (receiving) network video.
OL	Green	The card is online with a control system.
LAN	Green	An Ethernet link is established.
	Flashing amber	Data activity is occurring on the Ethernet link.
HDMI INPUT (DM-NVX-E30C only)	Green	An HDMI signal is detected at the HDMI input.
HDMI OUTPUT (DM-NVX-D30C only)	Green	An HDMI signal is being transmitted at the HDMI output.

Upgrade the Firmware

Before using the device, upgrade the firmware. The latest firmware can be downloaded from the Crestron website (www.crestron.com).



»» Configure the Device

Configure the card using the web interface. To access the web interface, open a web browser and then go to the IP address of the card.

NOTE: By default, the IP address of the card is assigned by a DHCP server on the network. If a DHCP server does not exist on the network, the IP address defaults to a link-local address in the 169.254.xxx.xxx range. Refer to RFC 3927 for detailed information about link-local addressing.

To find the IP address of the card, use the menu on the front panel display of the DMF-CI-8.

To log in to the web interface, enter the user name and password. The default user name and password are both *admin*.

»» Connect to the Crestron XiO Cloud Service

The Crestron XiO Cloud™ service allows supported Crestron devices across an enterprise to be managed and configured from one central and secure location in the cloud. Supported devices are preconfigured to connect to the service. Use of the service requires a registered Crestron XiO Cloud account.

To connect the card to the Crestron XiO Cloud service:

1. Record the MAC address and serial number that are labeled on the shipping box or printed circuit board (PCB). The MAC address and serial number are required in order to add the card to the Crestron XiO Cloud environment.
2. Do either of the following:
 - If you have a Crestron XiO Cloud account, go to <https://portal.crestron.io> to access the Crestron XiO Cloud service.
 - If you do not have a Crestron XiO Cloud account, go to www.crestron.com/xiocloud to register for an account.

For detailed information about using the Crestron XiO Cloud service, refer to the Crestron XiO Cloud Service User Guide (Doc. 8214) at www.crestron.com/manuals.

»» Additional Information

Scan or click the QR code for detailed product information.



DM-NVX-E30C



DM-NVX-D30C



Compliance and Legal

As of the date of manufacture, the product has been tested and found to comply with specifications for CE marking.



Federal Communications Commission (FCC) Compliance Statement

This device complies with part 15 of the FCC Rules. Operation is subject to the following conditions: (1) This device may not cause harmful interference and (2) this device must accept any interference received, including interference that may cause undesired operation.

CAUTION: Changes or modifications not expressly approved by the manufacturer responsible for compliance could void the user's authority to operate the equipment.

NOTE: This equipment has been tested and found to comply with the limits for a Class B digital device, pursuant to part 15 of the FCC Rules. These limits are designed to provide reasonable protection against harmful interference in a residential installation. This equipment generates, uses and can radiate radio frequency energy and, if not installed and used in accordance with the instructions, may cause harmful interference to radio communications. However, there is no guarantee

that interference will not occur in a particular installation. If this equipment does cause harmful interference to radio or television reception, which can be determined by turning the equipment off and on, the user is encouraged to try to correct the interference by one or more of the following measures:

- Reorient or relocate the receiving antenna.
- Increase the separation between the equipment and receiver.
- Connect the equipment into an outlet on a circuit different from that to which the receiver is connected.
- Consult the dealer or an experienced radio/TV technician for help.

Industry Canada (IC) Compliance Statement

CAN ICES-3(B)/NMB-3(B)

The product warranty can be found at www.crestron.com/legal/sales-terms-conditions-warranties.

The specific patents that cover Crestron products are listed at www.crestron.com/legal/patents.

Certain Crestron products contain open source software. For specific information, visit www.crestron.com/legal/open-source-software.

Crestron, the Crestron logo, Crestron XiO Cloud, and DM NVX are either trademarks or registered trademarks of Crestron Electronics, Inc. in the United States and/or other countries. HDMI and the HDMI logo are either trademarks or registered trademarks of HDMI Licensing LLC in the United States and/or other countries. Other trademarks, registered trademarks, and trade names may be used in this document to refer to either the entities claiming the marks and names or their products. Crestron disclaims any proprietary interest in the marks and names of others. Crestron is not responsible for errors in typography or photography.

©2018 Crestron Electronics, Inc.

Crestron Electronics, Inc.
15 Volvo Drive, Rockleigh, NJ 07647
Tel: 888.CRESTRON
Fax: 201.767.7576
www.crestron.com

**Quick Start - Doc. 8346A
(2052228)
09.18**

Specifications subject to change without notice.