

Creston **CSC-DCCN**
Cresnet® Interface to Creston® CSM-QMT30 Shades
 Installation Guide



Further Inquiries
 To locate specific information or resolve questions after reviewing this guide, contact Creston's True Blue Support at 1-888-CRESTRON [1-888-273-7876] or refer to the listing of Creston worldwide offices on the Creston Web site (www.creston.com/offices) for assistance within a particular geographic region.

To post a question about Creston products, log onto the Online Help section of the Creston Web site (www.creston.com/onlinehelp). First-time users must establish a user account to fully benefit from all available features.

Future Updates
 As Creston improves functions, adds new features and extends the capabilities of the CSC-DCCN, additional information may be made available as manual updates. These updates are solely electronic and serve as intermediary supplements prior to the release of a complete technical documentation revision.

Check the Creston Web site periodically for manual update availability and its relevance. Updates are identified as an "Addendum" in the Download column.

WARNING: To avoid fire, shock, or death; turn off power at circuit breaker or fuse and test that power is off before wiring!

NOTES: Observe the following points.

- To be installed and/or used in accordance with appropriate electrical codes and regulations.
- This product should be installed by a qualified electrician.

PREPARING AND CONNECTING WIRES
 Strip the ends of the wires approximately 1/4 in (6 mm). Use care to avoid nicking the conductors. Twist together the ends of the wires that share a connection. Apply solder only to the ends of the twisted wires. Avoid tinning too far up the wires or the end becomes brittle.

Creston Electronics, Inc.
 15 Volvo Drive Rockleigh, NJ 07647
 Tel: 888.CRESTRON
 Fax: 201.767.7576
 www.creston.com



Installation Guide - DOC. 7349D
 (2033155)
 04.13
 Specifications subject to change without notice.

Federal Communications Commission (FCC) Compliance Statement
 This device complies with part 15 of the FCC Rules. Operation is subject to the following conditions:
 (1) This device may not cause harmful interference and (2) this device must accept any interference received, including interference that may cause undesired operation.

CAUTION: Changes or modifications not expressly approved by the manufacturer responsible for compliance could void the user's authority to operate the equipment.

NOTE: This equipment has been tested and found to comply with the limits for a Class B digital device, pursuant to part 15 of the FCC Rules. These limits are designed to provide reasonable protection against harmful interference in a residential installation. This equipment generates, uses and can radiate radio frequency energy and, if not installed and used in accordance with the instructions, may cause harmful interference to radio communications. However, there is no guarantee that interference will not occur in a particular installation. If this equipment does cause harmful interference to radio or television reception, which can be determined by turning the equipment off and on, the user is encouraged to try to correct the interference by one or more of the following measures:

- Reorient or relocate the receiving antenna
- Increase the separation between the equipment and receiver
- Connect the equipment into an outlet on a circuit different from that to which the receiver is connected
- Consult the dealer or an experienced radio/TV technician for help

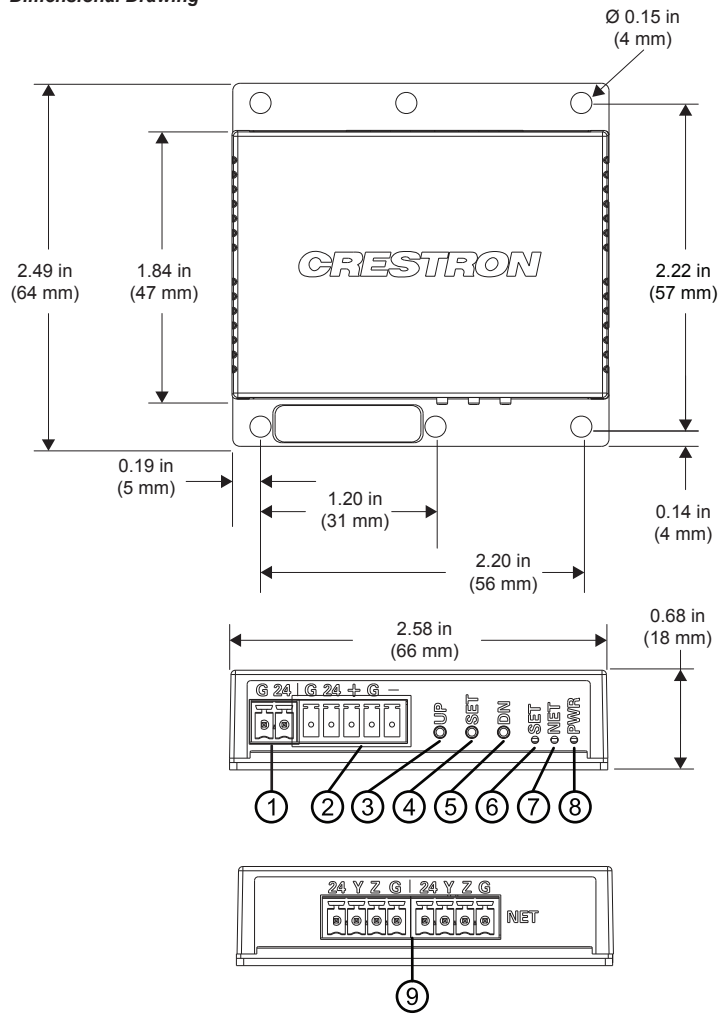
Industry Canada (IC) Compliance Statement
 CAN ICES-3 (B)/NMB-3(B)

INTRODUCTION

The Creston® CSC-DCCN is an interface designed to control one Creston CSM-QMT30 shade motor and provide two way communication between the motor and control system over Cresnet®. The CSC-DCCN features local buttons that allow for setting up limits and testing of the shades without use of the control system. In addition to controlling the shade motor, the CSC-DCCN provides 24 V power to a CSM-QMT30 motor. The CSC-DCCN can be surface mounted or mounted in a single gang electrical box using a CSC-BRKT-1G mounting bracket (sold separately).

Physical Description
 This section provides information on the connections, controls and indicators available on the CSC-DCCN.

Dimensional Drawing



#	CONNECTORS*, CONTROLS & INDICATORS	DESCRIPTION
1	G 24	Power input from power supply
2	G 24 + G -	Power and control to roller shade
3	UP	Push button used to raise shade
4	SET	Push button used to enter setup mode
5	DN	Push button used to lower shade
6	SET LED	Red LED indicates the device setup status and error codes
7	NET LED	Amber LED used to indicate communication status of the Cresnet network; LED is solid when the device is connected to the network and off when no connection to control system
8	PWR LED	Green LED indicates power and status; LED blinks while shade is moving. LED is solid when shade is stopped and powered on
9	NET 24 Y Z G	Two 4-pin 3.5 mm detachable terminal blocks, Cresnet slave port and power input

* Interface connectors for G 24 + G -, G 24 and NET ports are provided with the unit.

MOUNTING

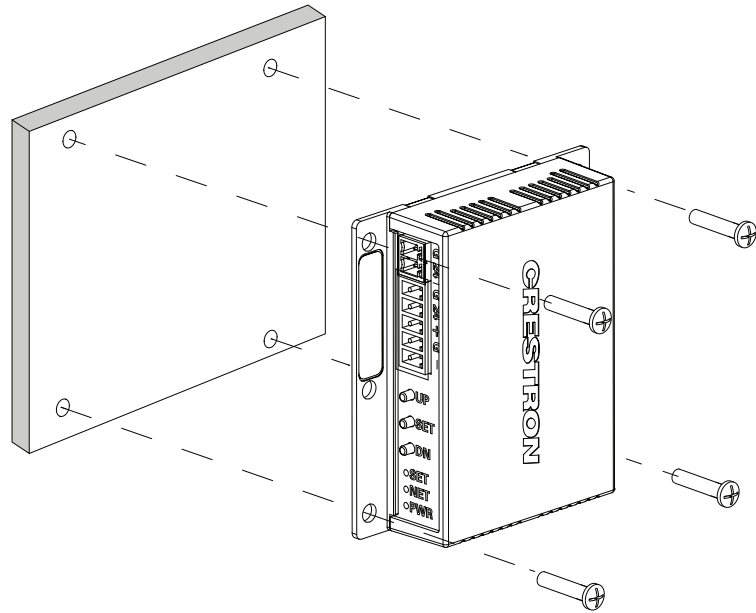
The CSC-DCCN can be mounted to a single gang box or to any flat surface. Refer to the appropriate procedure below for mounting instructions.

Mounting in Single Gang Box

The CSC-DCCN mounts to a single gang box by using the CSC-BRKT-1G (sold separately). For installation details refer to the CSC-BRKT-1G Installation Guide (Doc. 7353) which is available from the Crestron Web site (www.crestron.com/manuals).

Surface Mounting

The CSC-DCCN can be mounted to any flat surface using four screws (not supplied). Refer to the following illustration for a typical surface mount scenario.



WIRING

For information on wiring this device, refer to the latest version of the Crestron Roller Shades and Interfaces Wiring Guide (Doc. 7516).

PROGRAMMING AND SETUP

Before the roller shade can be operated the device must be programmed and set up.

For information on programming and setup of this device, refer to the latest version of the Crestron Roller Shades and Interfaces Programming and Setup Guide (Doc. 7361).

The specific patents that cover Crestron products are listed at patents.crestron.com.

Crestron, the Crestron logo and Cresnet are either trademarks or registered trademarks of Crestron Electronics, Inc. in the United States and/or other countries. Other trademarks, registered trademarks and trade names may be used in this document to refer to either the entities claiming the marks and names or their products. Crestron disclaims any proprietary interest in the marks and names of others. *Crestron is not responsible for errors in typography or photography.*

This document was written by the Technical Publications department at Crestron.
©2013 Crestron Electronics, Inc.