

TPS-6X Series

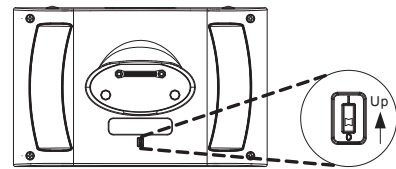
Isys® 5.7" Wireless Touch Screens

1 Battery Switch

The TPS-6X* ships with the battery switch (on the rear) in the OFF (downward) position. The OFF position is used for shipping and long term storage only. Use the included T-pin to turn the switch ON (slide it upward) and place the TPS-6X on the included docking station/charger for a minimum of four hours before using.

To charge the internal battery, the TPS-6X must be placed on the TPS-6X-DS (or TPS-6X-DS-LP or TPS-6XNL-DS Docking Station, which must be connected to a powered TPS-6X-IMCW Interface Module (included).

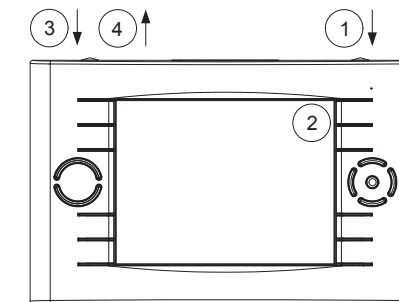
* The TPS-6X TPS-6X-LP and TPS-6XNL are functionally identical. The LP models use a low profile docking station. The NL models use a "No Lock" docking station. For simplicity within this guide, the term "TPS-6X" is used.



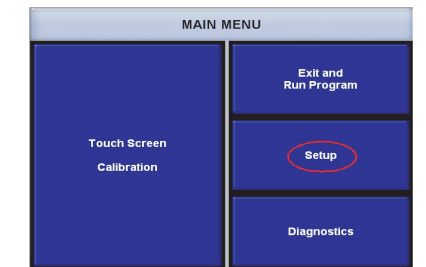
2 Configuring the Touch Screen

The MAIN MENU is the starting point for configuring the TPS-6X. If no project is loaded, touch the screen to access the MAIN MENU. If a project is running, the MAIN MENU can be accessed by using the following procedure:

1. Press and hold the right trigger key ① on the top of the touch screen and at the same time, touch the upper right corner ② of the screen.
2. Continue holding the right trigger key and touching the upper right corner of the screen. At the same time, press and hold the left trigger key ③ on the top of the touch screen. After four seconds, the panel will reset.
3. Once the screen turns black, release the left trigger key ④ and the panel will enter the MAIN MENU, as shown in the illustration.
4. Release the right trigger key and the screen.



To enter the "SETUP MODE" menu, touch **Setup** on the MAIN MENU.

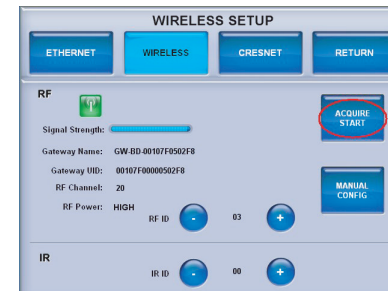
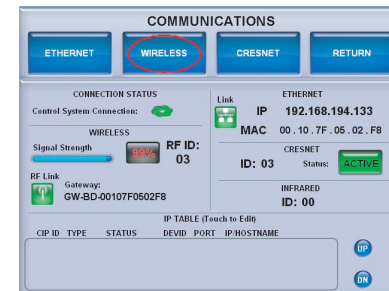
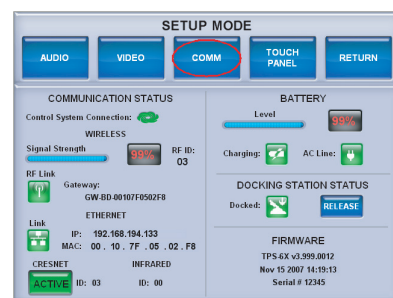


NOTE: From any of the setup menus, touch **RETURN** to go back to the previous menu.

3 Basic Wireless Setup

From the "SETUP MODE" menu on the TPS-6X, touch **COMM** to enter the "COMMUNICATIONS" menu.

Touch **WIRELESS** to enter the "WIRELESS SETUP" menu.



Before a TPS-6X can be used on a wireless network, it must first be acquired by a CEN(I)-ERFGW-POE Extended Range RF Wireless Gateway (sold separately).

To acquire a TPS-6X:

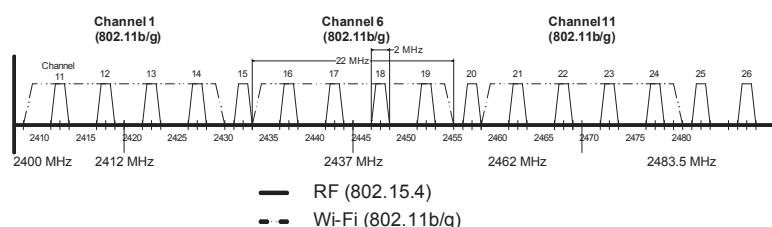
- Use a stylus or other thin tipped object to press **ACQUIRE** on the CEN(I)-ERFGW-POE gateway to enter *Acquire* mode. The accompanying LED illuminates, indicating the unit is ready to link with the touch screen.
- Place the TPS-6X in *Acquire* mode by touching **ACQUIRE START** on the "WIRELESS SETUP" menu. It is automatically acquired by the gateway within two minutes.

When the process is complete, the menu displays an *Acquire Complete* message. Press **ACQUIRE** on the gateway to exit *Acquire* mode. The LED turns off.



If the acquire process is not successful within two minutes, refer to the "Troubleshooting" section of the latest version of the TPS-6X Series Operations Guide (Doc. 6875). It is available from the Crestron Web site (www.crestron.com/manuals).

NOTE: Select an RF channel between 12 and 23 for maximum range. Channels 11, 24-26 will result in less range but are available if RF interference requires moving the RF channel.



NOTE: The RF ID of the unit must match the RF ID specified in the SIMPL Windows program.



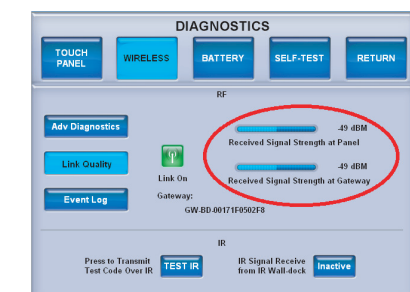
For details, refer to "Appendix A: The RF Spectrum" and "Appendix B: Optimum RF Reception Guidelines" in the latest version of the TPS-6X Series Operations Guide (Doc. 6875).

To check the quality of your link status, from the MAIN MENU, touch **Diagnostics** to open the "DIAGNOSTICS" menu.

On the "DIAGNOSTICS" menu, touch **WIRELESS**, then touch **Link Quality**.

The screen displays the *Received Signal Strength at Panel* and *Received Signal Strength at Gateway* meters.

Other buttons on the "DIAGNOSTICS" menu should only be used under the supervision of a Crestron® customer service representative during telephone support.

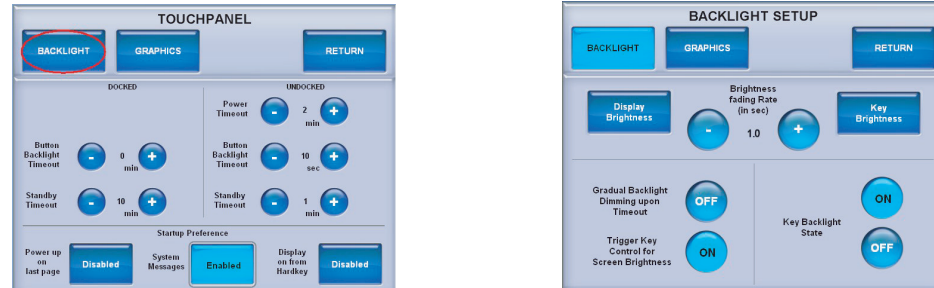


TPS-6X Series

Isys® 5.7" Wireless Touch Screens

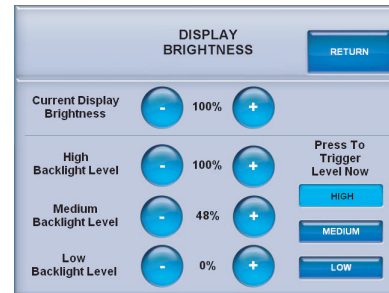
4 Touchpanel Settings

From the "SETUP MODE" menu, touch the **TOUCH PANEL** button to enter the "TOUCHPANEL" menu. From the "TOUCHPANEL" menu, touch **BACKLIGHT** to enter the "BACKLIGHT SETUP" menu.



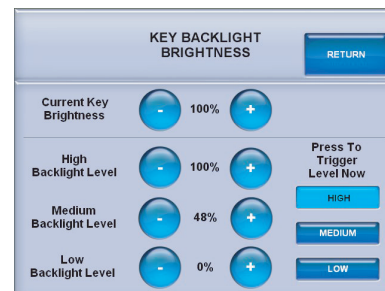
Use the - and + buttons on the "BACKLIGHT SETUP" menu to control the *Brightness fading Rate* (how fast the screen brightness changes when the **HIGH**, **MEDIUM** or **LOW** buttons are touched or the right trigger key is used to control brightness).

Touch **Display Brightness** to enter the "DISPLAY BRIGHTNESS" screen. Use the - and + buttons to control the *Current Display Brightness* and the *High Backlight Level*, *Medium Backlight Level* and *Low Backlight Level* presets for the **HIGH**, **MEDIUM** and **LOW** buttons.



Touch **RETURN** to go back to the "BACKLIGHT SETUP" menu.

From the "BACKLIGHT SETUP" menu, touch **Key Brightness** to enter the "KEY BACKLIGHT BRIGHTNESS" screen.



Use the - and + buttons to control the *Current Key Brightness*, *High Backlight Level*, *Medium Backlight Level* and *Low Backlight Level* presets for the **HI**, **MEDIUM** and **LOW** buttons.

Touch **RETURN** to go back to the "BACKLIGHT SETUP" menu.

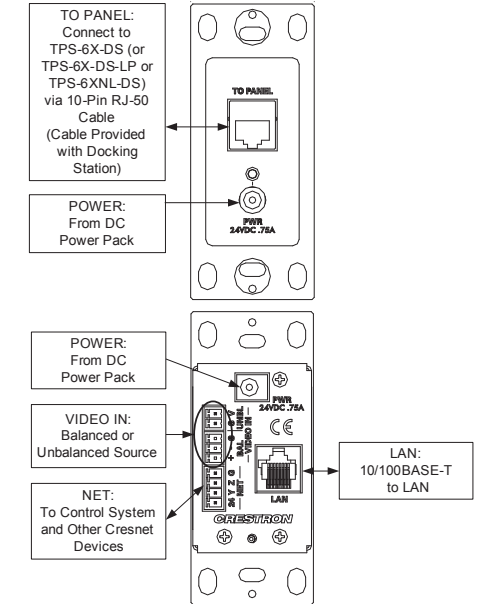
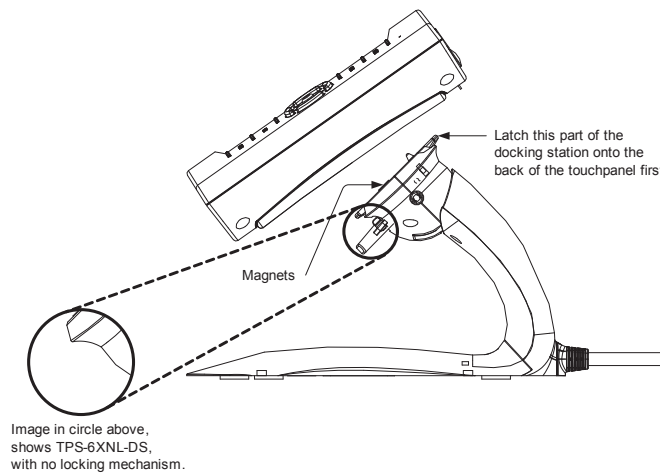
5 Hardware Hookup

After it has been successfully acquired by a CEN(I)-ERFGW-POE gateway (refer to section 3), the TPS-6X does not require any connections for wireless operation.

For Cresnet® or Ethernet connection or to upload a project or upgrade touch screen firmware, the TPS-6X must be placed on the TPS-6X-DS (or with the TPS-6X-LP models, the TPS-6X-DS-LP or with the TPS-6XNL models, the TPS-6XNL-DS) Docking Station, which must be connected to the TPS-6X-IMCW Interface Module (both included), which in turn must be connected to a control system via Cresnet or Ethernet.



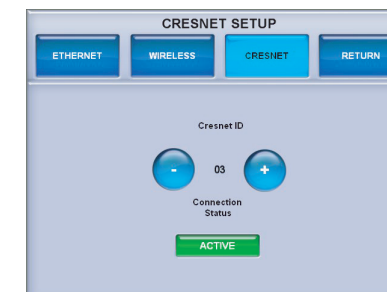
For details, refer to the latest version of the TPS-6X-DS & TPS-6XNL-DS Operations Guide (Doc. 6876) and the TPS-6X-IMCW Installation Guide (Doc. 6874).



6 Identity Code

For a Cresnet connection, the Net ID of each TPS-6X must be unique and must match the Net ID specified in the SIMPL Windows program. The Net ID of the TPS-6X can be set using the internal setup menu. This is accessed by touching **CRESNET** on the "COMMUNICATIONS" menu to open the "CRESNET SETUP" menu.

For an Ethernet connection, the IP ID of each TPS-6X must be unique and must match the IP ID specified in the SIMPL Windows program. The IP ID of the TPS-6X can be set using the internal setup menu. This is accessed by touching the rectangle within the *IP TABLE* section of the "COMMUNICATIONS" menu to open the *IP TABLE EDITOR*. Use the **DN** and **UP** buttons to select the *CIP ID*.



The specific patents that cover Crestron products are listed at patents.crestron.com.
Crestron, the Crestron logo, Cresnet and Isys are trademarks or registered trademarks of Crestron Electronics, Inc. in the United States and/or other countries. Other trademarks, registered trademarks and trade names may be used in this document to refer to either the entities claiming the marks and names or their products. Crestron disclaims proprietary interest in the marks and names of others. ©2012 Crestron Electronics, Inc.