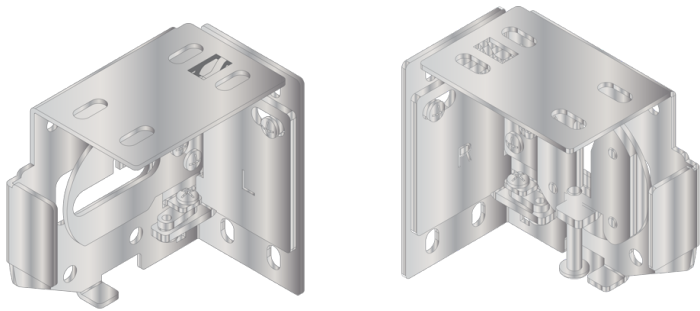


QMT5 Series Architectural Shade Hardware



- *Hardware series for mounting Crestron® roller shades*
- *Adjustable brackets for shade leveling without any hardware removal*
- *Designed for use with Crestron CSM-QMTDC-250-4 Digital QMT® motors¹*
- *Optional brackets for manually operated shading solutions*
- *Optional bracket for angled coupled shade installations*
- *Fascia, top/back covers, and matching endcaps*
- *Aluminum pockets available for recessed mounting*
- *Single roll shade brackets that fit into pockets as small as 5 in. (127 mm) x 5 in. (127 mm)*
- *Blackout hardware for creating blackout scenarios in a room*
- *Single roll or dual roll shade applications*

QMT5 Series Architectural Shade Hardware from Crestron® is a small mounting system that allows Crestron shades to be mounted on a wall or ceiling or in a pocket or window jamb. The hardware offers solutions for both single roller and dual roller shade applications. The hardware is designed for use with the compact Crestron CSM-QMTDC-250-4 Digital QMT® motors¹.

The QMT motor snaps into the bracket and has a Quick Release button to make installation and removal quick and easy without the need for special tools. The brackets are left/right and up/down adjustable, ensuring precise mounting and quick installation. Adjustments can also be made without the need to remove and reinstall the bracket.

The QMT5 Series Architectural Hardware lineup also includes single roll shade brackets for manual operation. Manually operated shades are a cost-effective solution for any shading application. Whether for installations in which motorized

shades are unnecessary or not feasible or as a stop-gap before upgrading to motorized shades, manual shades offer the small profile and reliable, easy-to-install hardware of a Crestron shading solution with minimum effort.

To enhance child safety, the manual clutch roller shades are equipped with a Chainhold Tension device. This device is integrated into the product during manufacturing and cannot be removed without breaking. The chainhold tension device maintains tension on the chain when installed. If not properly installed, it prevents the shade from fully operating.

Angled Coupler

A specially designed coupler vastly increases the ease with which tandem shade configurations are installed. Unique to the QMT5 Series Architectural Hardware, the angled coupler simplifies even the most complex of angular installation spaces. It has the ability to hold two shades in tandem at any angle, making every bay window installation a breeze.

Single Roll Shades Versus Dual Roll Shades

Single roll shades are perfect for mounting shades in compact areas as small as 5 in. (127 mm) by 5 in. (127 mm). Dual shades hardware supports the installation of two roller shades with one set of brackets, allowing light-filtering and blackout fabrics within the same system for multipurpose rooms. Dual shades hardware requires an area 9 in. (229 mm) high by 6 in. (153 mm) deep high.

Fascia

Decorative fascia conceals the front and bottom of the roller shade from view in non-pocket mounting applications. Sporting a clean look, it comes in square or curved options and features a variety of finishes to complement any décor. An optional top/back cover provides coverage for the top and back of the roller shade, perfect for when mounting shades inside window jambs. Installation of each part is easy because the fascia and top/back cover are tensioned fit and simply snap onto the mounting brackets. Stylish end caps also snap into place onto the brackets and match the color of the fascia.

Pocket

The pocket consists of a U-shaped extrusion that covers the front, top, and back of the shade roller. It is not intended for a direct wall mount application. A flap attaches to the inside of the pocket, covering as much of the shade roller's underside from view as possible while still letting the shade fabric move up and down smoothly.

If the application is using a customer-provided pocket and it requires a flap, a flap hanger is needed to hang the flap. The flap hanger is drilled into the inside surface of the customer-provided pocket, thereby giving the flap a place to mount.

QMT5 Series Architectural Shade Hardware

Blackout Accessories

For an inside or outside mount installation, side channels enable blackout conditions by helping prevent light leaks between the window jamb and shade fabric. Crestron offers two channel styles, the U-Channel and the H-Channel², which are available in same finish colors as the fascia.

The U-Channel is designed for a single window opening and is installed on the left and right sides of the shade. The H-Channel² installs between two adjacent shades, where it cuts down on light leaks between shades and provides a smooth path for shade fabric to travel as it unrolls.

A sill angle helps to complete blackout treatments by reducing light leaks along the bottom of the window. Channel Caps provide a finished edge for smooth travel where the fabric enters the side channels.

Hembars

Crestron offers three hembar options: open pockets, sealed pockets, or blackout.

- Open pockets are an appropriate choice when a designer does not want to add an additional architectural element to a partially drawn shade. In this style, the hem pocket has an opening at each end. Hem bar end caps are supplied with an open pocket hem bar order, providing a finished look to the ends of the shade fabric.
- Sealed pockets are most commonly found in commercial applications. The sealed ends have a pinched look and are less desirable in residential applications.
- Blackout hembars are used for blackout scenarios. They have a liner across the bottom that helps to block light from entering a room when the shade is down.

NOTES:

- The CSS-ARCH5 is sold as part of a custom-configured product and orders are placed via the Crestron® Design Tool for Crestron Shading Solutions.
- To configure shades or order shading parts and accessories, please use the Crestron Design Tool for Crestron or call 1-855-53-S-H-A-D-E (537-4233) for support.

Available Accessories

For a list of available accessories, visit the [CSS-ARCH5](#) product page.

Notes:

1. Available in models [CSM-QMTDC-250-4-CN](#) and [CSM-QMTDC-250-4-EX](#).
2. The H-Channel pertains to multiple window openings. It can only be ordered as an accessory and not as part of a shade.

This product may be purchased from select authorized Crestron dealers and distributors. To find a dealer or distributor, please contact the Crestron sales representative for your area. A list of sales representatives is available online at [www.crestron.com/How-To-Buy/Find-a-Representative](#) or contact us for additional information by visiting [www.crestron.com/contact/our-locations](#) for your local contact.

The original language version of this document is U.S. English. All other languages are a translation of the original document.

The product warranty can be found at [www.crestron.com/warranty](#).

The specific patents that cover Crestron products are listed online at [www.crestron.com/legal/patents](#).

Certain Crestron products contain open source software. For specific information, please visit [www.crestron.com/opensource](#).

Crestron, the Crestron logo, and QMT are either trademarks or registered trademarks of Crestron Electronics, Inc. in the United States and/or other countries. Other trademarks, registered trademarks, and trade names may be used in this document to refer to either the entities claiming the marks and names or their products. Crestron disclaims any proprietary interest in the marks and names of others. Crestron is not responsible for errors in typography or photography.

Specifications are subject to change without notice.

©2024 Crestron Electronics, Inc.

Rev 06/12/24

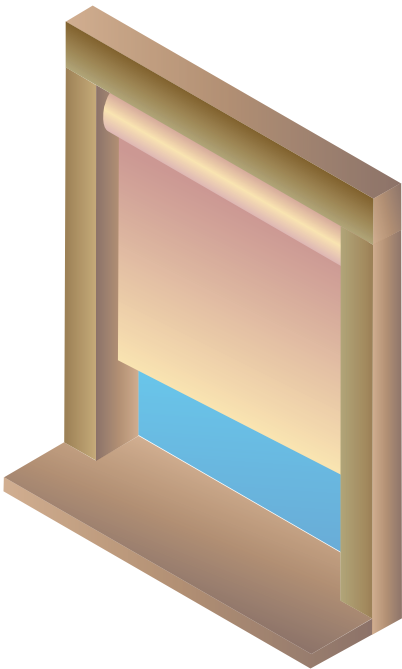
Model

CSS-ARCH5

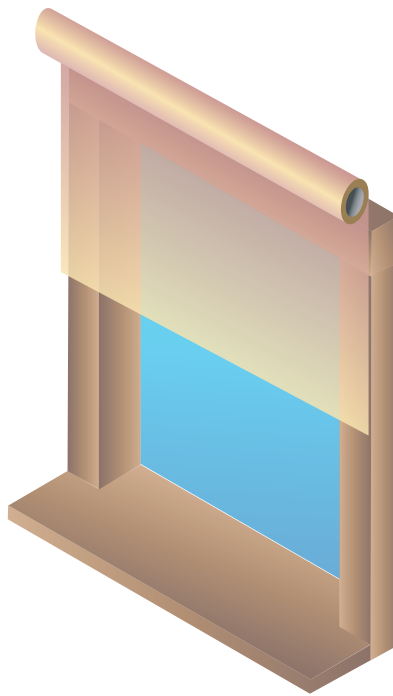
QMT5 Series Architectural Shade Hardware

MOUNTING CONDITIONS

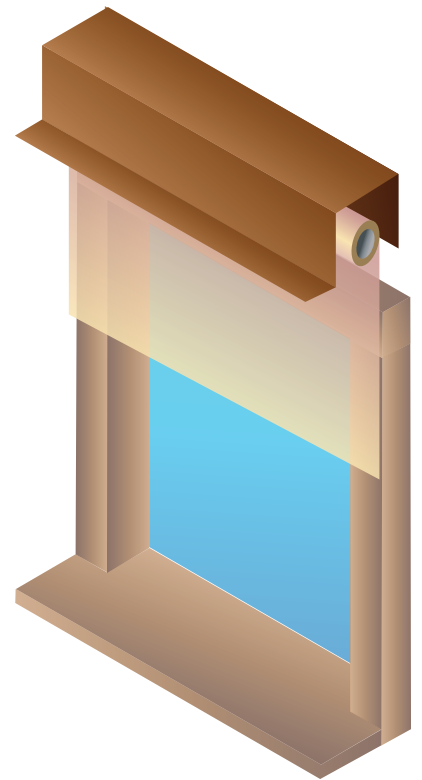
The shade mounting system allows Crestron shades to be mounted on a wall or ceiling or in a window jamb or pocket.



Inside Mount



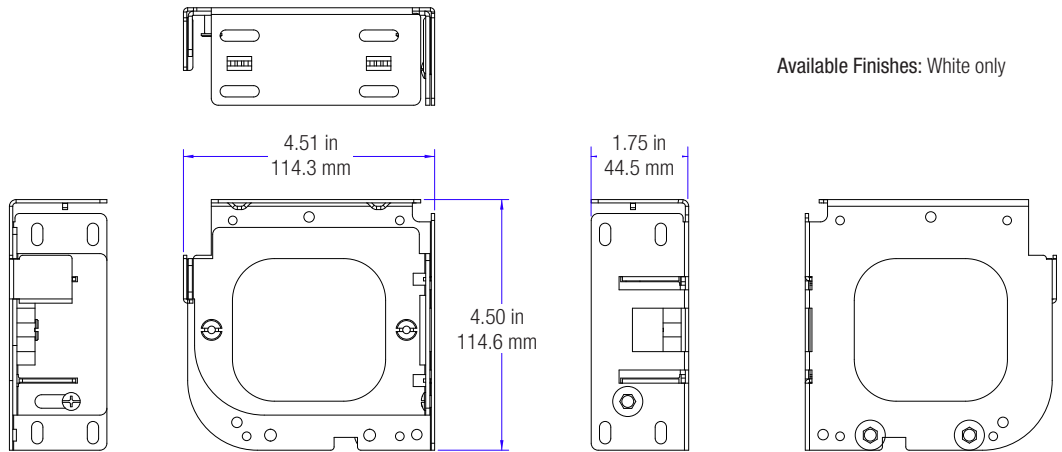
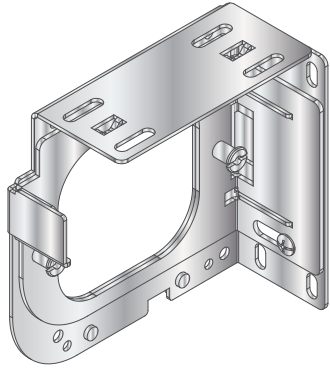
Outside Mount



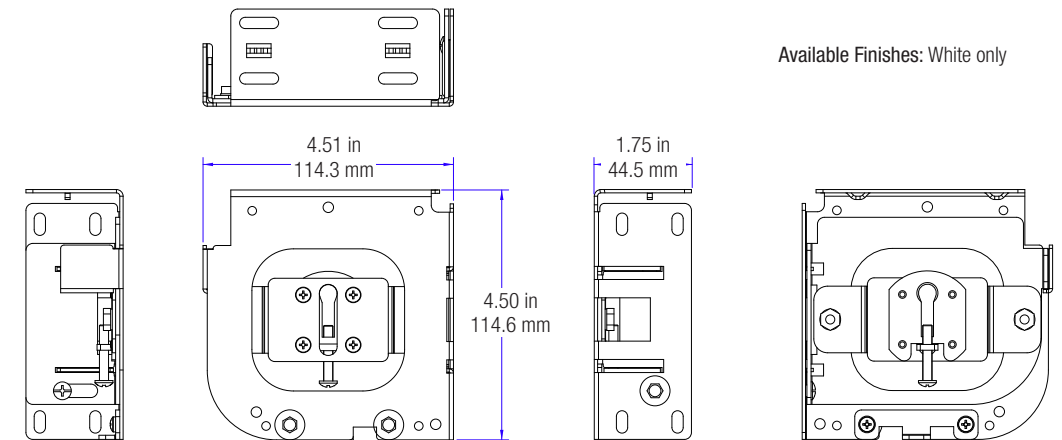
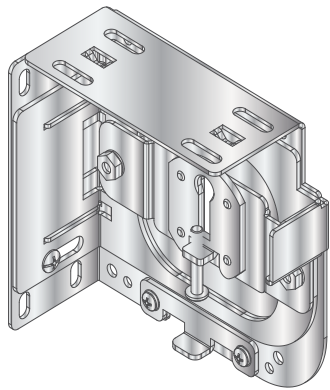
Pocket Mount

CSS-ARCH5 QMT5 Series Architectural Shade Hardware

MOUNTING BRACKETS (MOTORIZED)



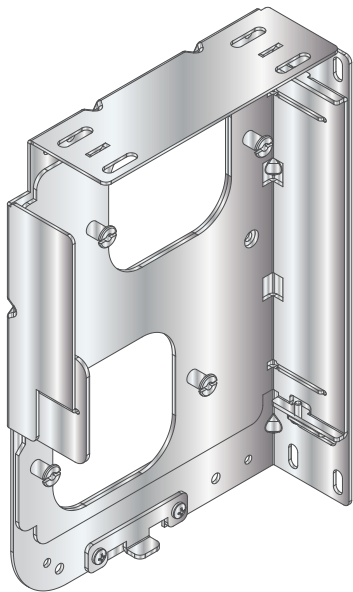
**Single Mounting Bracket, Motor Side
(CSA-ARCH5-BRKT)***



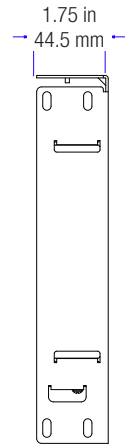
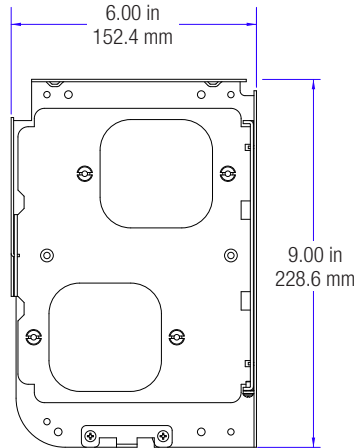
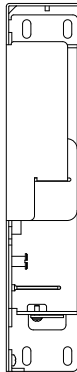
**Single Mounting Bracket, Idler Side
(CSA-ARCH5-BRKT)***

* Mounting brackets are sold in pairs. The CSA-ARCH5-BRKT includes both the motor side bracket and the idler side bracket.

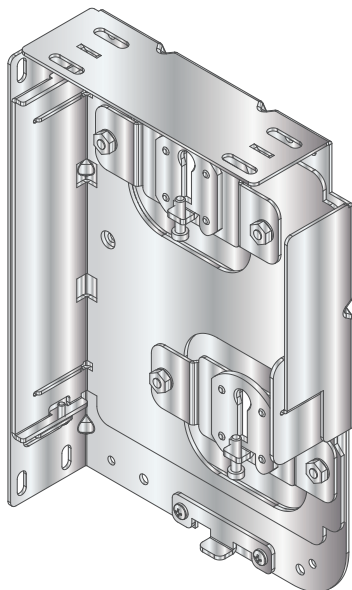
CSS-ARCH5 QMT5 Series Architectural Shade Hardware



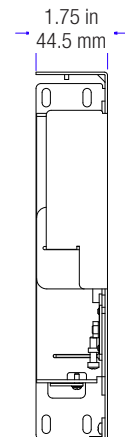
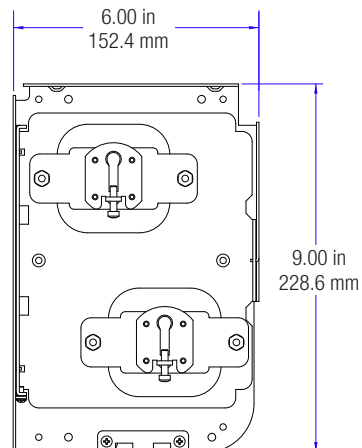
Available Finishes: White only



Dual Mounting Bracket, Motor Side
(CSA-ARCH5-BRKT-DUAL)*



Available Finishes: White only

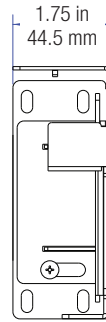
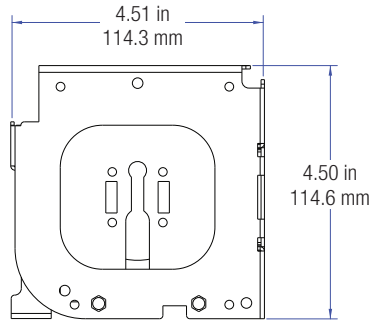
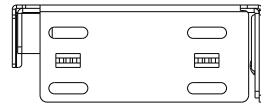
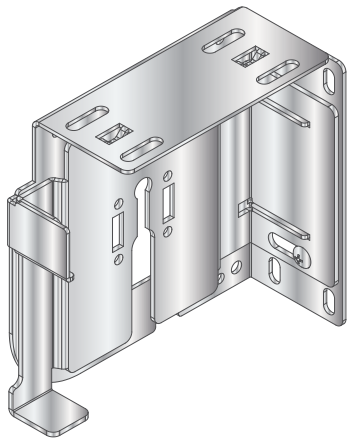


Dual Mounting Bracket, Idler Side
(CSA-ARCH5-BRKT-DUAL)*

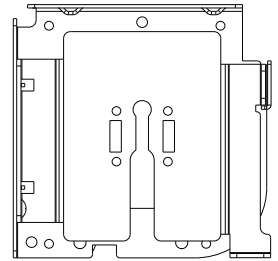
* Mounting brackets are sold in pairs. The CSA-ARCH5-BRKT-DUAL includes both the motor side bracket and the idler side bracket.

CSS-ARCH5 QMT5 Series Architectural Shade Hardware

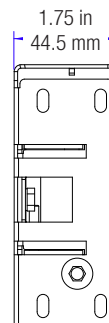
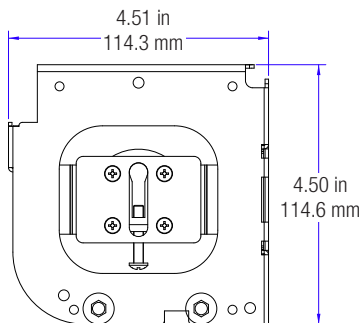
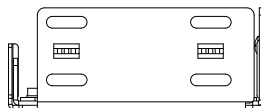
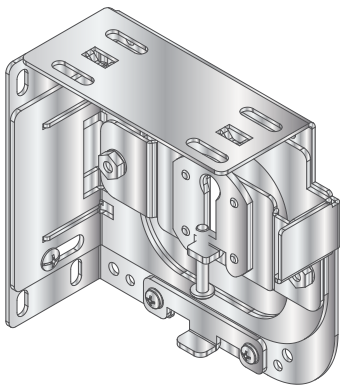
MOUNTING BRACKETS (MANUAL)



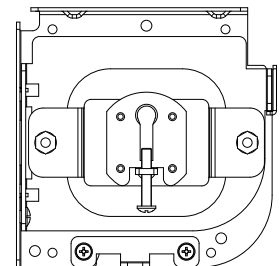
Available Finishes: White only



**Single Mounting Bracket, Clutch Side
(CSA-ARCH5-BRKT-MAN)***



Available Finishes: White only

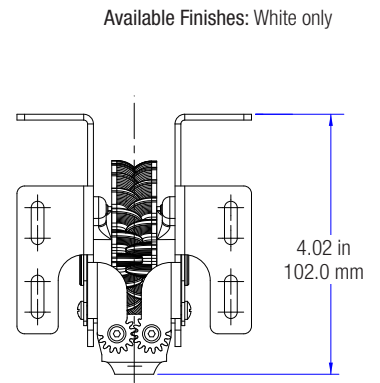
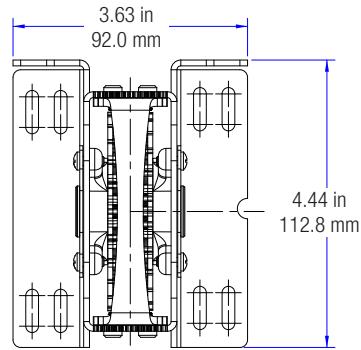
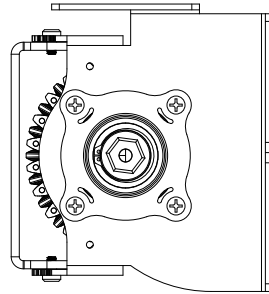
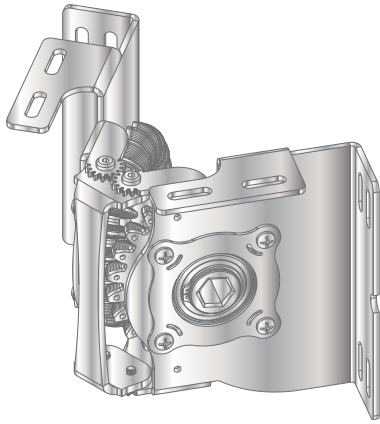


**Single Mounting Bracket, Idler Side
(CSA-ARCH5-BRKT-MAN)***

* Mounting brackets are sold in pairs. The CSA-ARCH5-BRKT-MAN includes both the clutch side bracket and the idler side bracket.

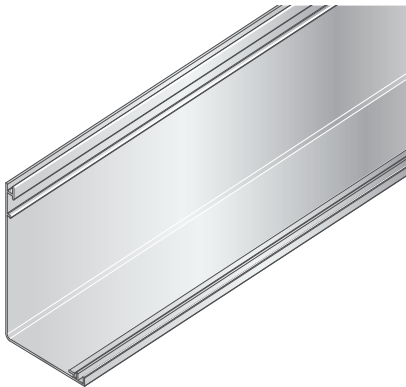
CSS-ARCH5 QMT5 Series Architectural Shade Hardware

ANGLED COUPLER

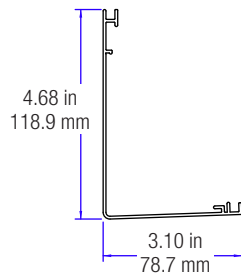


Single Roll Angled Coupler
(CSA-ARCH5-ANGLED-COUPLER)

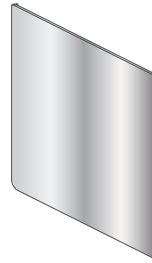
FASCIA & END CAPS



Maximum Length: 16 ft (4.877 m)
Available Finishes: White, Black, Gray, Brown, Almond

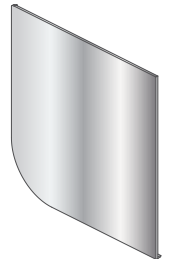


Single Square Fascia
(CSA-ARCH5-FASCIA-SQR)



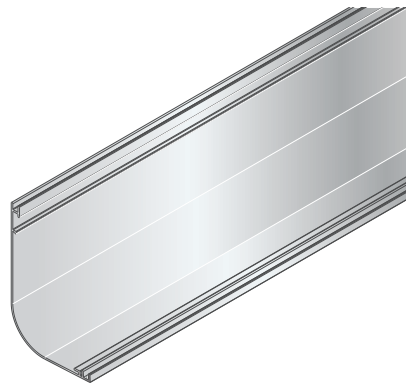
Single Square End Caps (Qty. 2)
(CSA-ARCH5-BRKT-CAP-SQR)

Available Finishes: White, Black, Gray, Brown, Almond

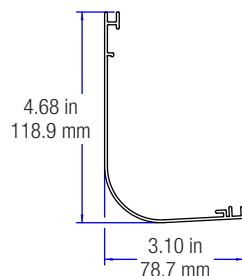


Single Curved End Caps (Qty. 2)
(CSA-ARCH5-BRKT-CAP-CRV)

Available Finishes: White, Black, Gray, Brown, Almond



Maximum Length: 16 ft (4.877 m)
Available Finishes: White, Black, Gray, Brown, Almond



Single Curved Fascia
(CSA-ARCH5-FASCIA-CRV)



Dual Square End Caps (Qty. 2)
(CSA-ARCH5-BRKT-DUAL-CAP-SQR)

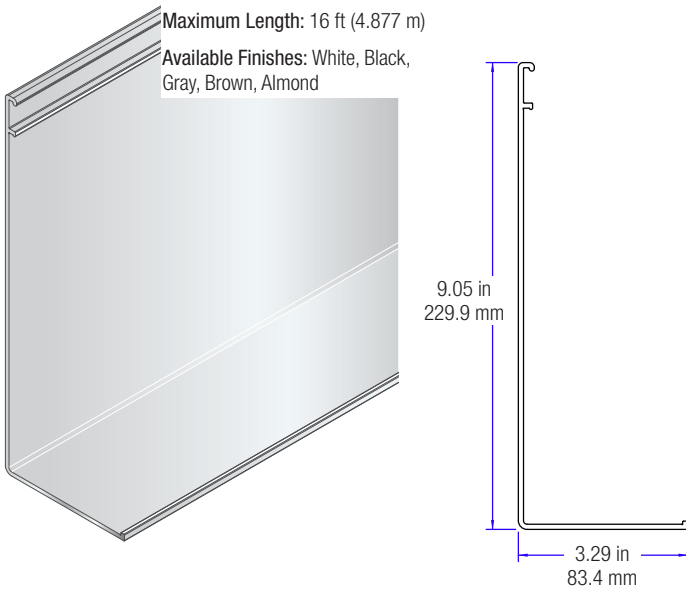
Available Finishes: White, Black, Gray, Brown, Almond



Dual Curved End Caps (Qty. 2)
(CSA-ARCH5-BRKT-DUAL-CAP-CRV)

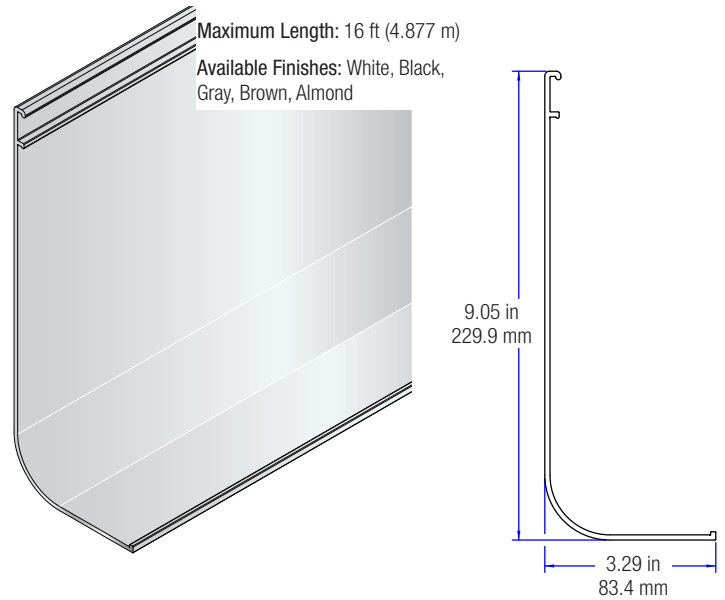
Available Finishes: White, Black, Gray, Brown, Almond

CSS-ARCH5 QMT5 Series Architectural Shade Hardware



Maximum Length: 16 ft (4.877 m)
Available Finishes: White, Black, Gray, Brown, Almond

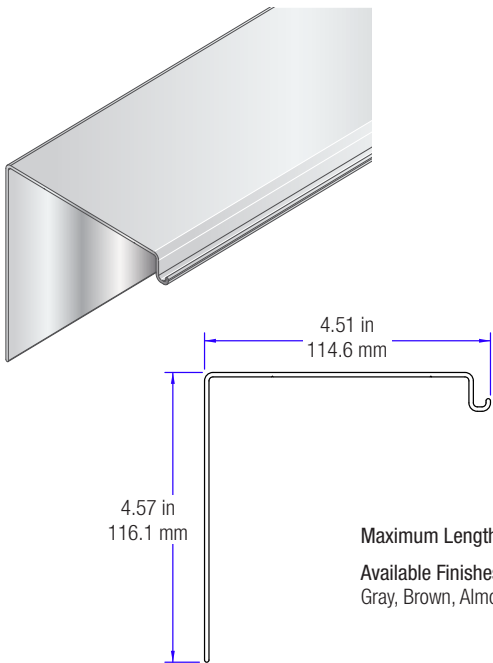
Dual Square Fascia
(CSA-ARCH5-FASCIA-DUAL-SQR)



Maximum Length: 16 ft (4.877 m)
Available Finishes: White, Black, Gray, Brown, Almond

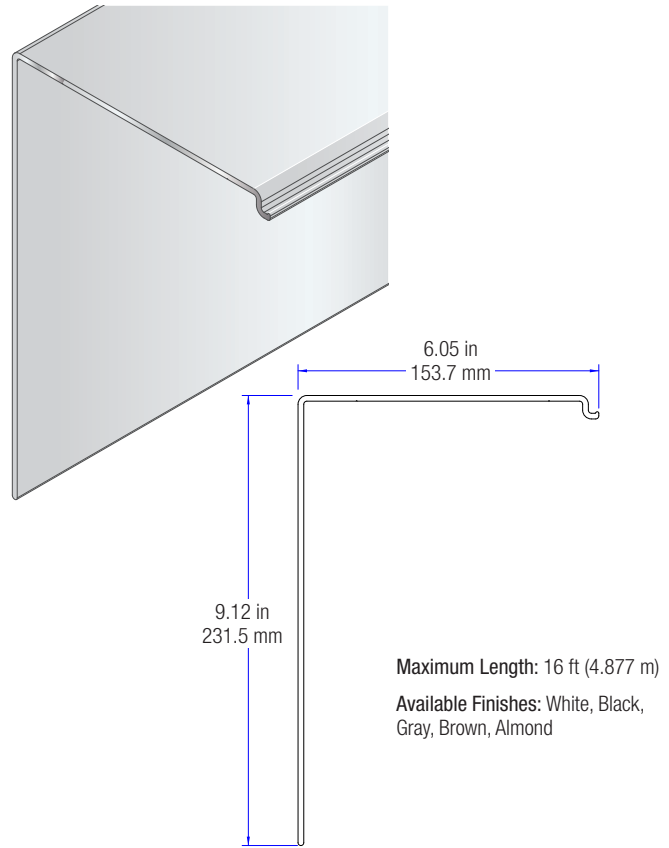
Dual Curved Fascia
(CSA-ARCH5-FASCIA-DUAL-CRV)

TOP/BACK COVERS



Maximum Length: 16 ft (4.877 m)
Available Finishes: White, Black, Gray, Brown, Almond

Single Top/Back Cover
(CSA-ARCH5-TBC)

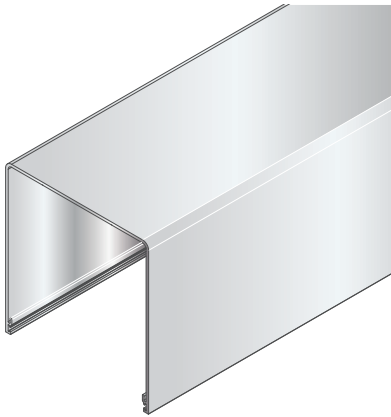


Maximum Length: 16 ft (4.877 m)
Available Finishes: White, Black, Gray, Brown, Almond

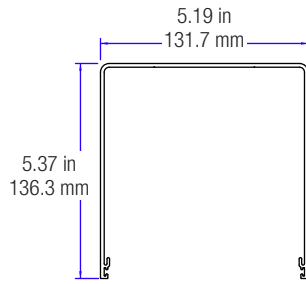
Dual Top/Back Cover
(CSA-ARCH5-TBC-DUAL)

CSS-ARCH5 QMT5 Series Architectural Shade Hardware

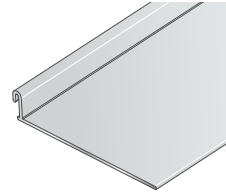
POCKETS



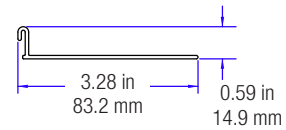
Maximum Length: 16 ft (4.877 m)
Available Finishes: White, Black, Gray, Brown, Almond



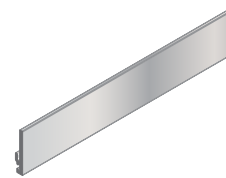
Single Pocket
(CSA-ARCH5-POCKET)



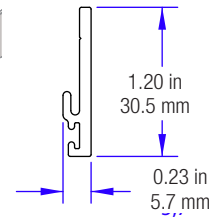
Maximum Length: 16 ft (4.877 m)
Available Finishes: White, Black, Gray, Brown, Almond



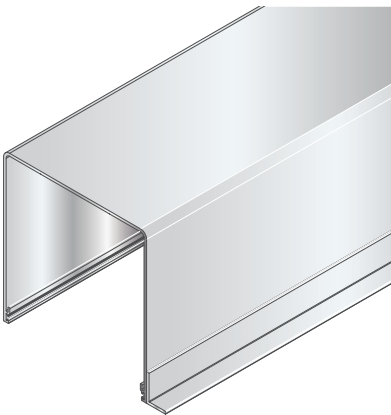
Pocket Flap
(CSA-ARCH5-FLAP)



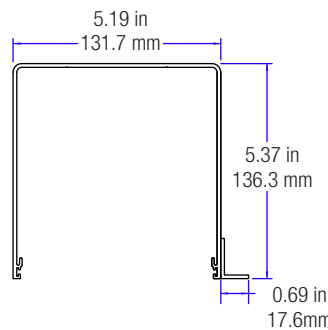
Maximum Length: 16 ft (4.877 m)
Available Finishes: White, Black, Gray, Brown, Almond



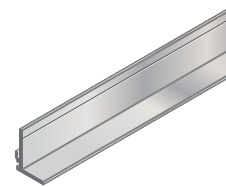
Pocket Flap Hanger
(CSA-ARCH-FLAP-HANGER)



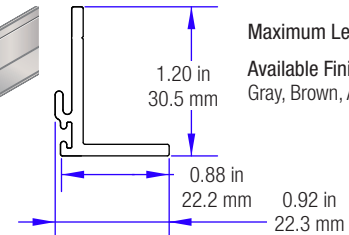
Maximum Length: 16 ft (4.877 m)
Available Finishes: White, Black, Gray, Brown, Almond



Single Pocket w/Tile Lip
(CSA-ARCH5-POCKET-TLIP)



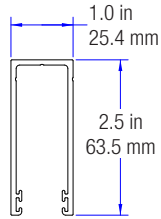
Maximum Length: 16 ft (4.877 m)
Available Finishes: White, Black, Gray, Brown, Almond



Pocket Flap Hanger Tile Lip
(CSA-ARCH-FLAP-HANGER-TLIP)

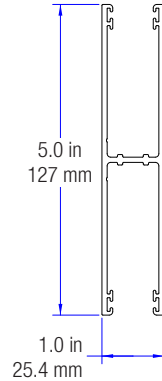
CSS-ARCH5 QMT5 Series Architectural Shade Hardware

BLACKOUT ACCESSORIES



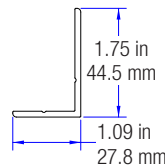
Available Finishes: White, Black, Gray, Brown, Almond

U-Channel
(CSA-ARCH-BO-CHANNEL-U)



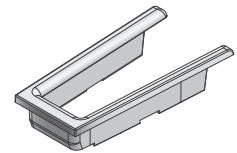
Available Finishes: White, Black, Gray, Brown, Almond

H-Channel
(CSA-ARCH-BO-CHANNEL-H)



Available Finishes: White, Black, Gray, Brown, Almond

Sill Angle
(CSA-ARCH-BO-SILL)



Available Finishes: White, Black, Gray, Brown, Almond

Channel Cap
(CSA-ARCH-BO-CHANNEL-CAP)