

CSA-DECOR3-BRKT-163-EC-MTL

Crestron Shades with Brushed Metal Brackets, Motorized Operation

- *Modern-looking hardware for exposed roller shade systems*
- *Compact design, takes up less space on mounting surface*
- *Metal end caps available in a variety of colors to match any decor*
- *Controlled using an CSM-QMTDC-163-1-EX-BLK-MTL or CSM-QMTDC-163-1-CN-BLK-MTL Digital QMT® motor*
- *Universal bracket for both manual and motorized shading solutions*
- *Digital Quiet Motor Technology™ provides silent operation and precise positioning*
- *Patented automatic torque calibration technology detects obstructions to prevent damage*
- *Programmable stop points afford customizable scene presets*
- *Real-time remote activity monitoring and status feedback*
- *Local pushbutton interface for setup and testing*
- *Onboard multicolor diagnostic LED*
- *Quick and easy installation*
- *Control system integration using infiNET EX® wireless or Cresnet® wired communications*
- *Powered using 24VDC low-voltage, Class 2 wiring*
- *Limited Lifetime Warranty*

The CSA-DECOR3-BRKT-163-EC-MTL is a small mounting system that exposes the entire shade, giving the space a contemporary look. The system is very compact, enabling installation in tight spaces. The brushed metal end caps conceal the mounting brackets to provide an exceptionally elegant finish. The easy-to-install and versatile mounting brackets allow the shade to be mounted inside the window opening or on a wall or ceiling.

For ceiling mounting, the brackets are rotated 90 degrees, leaving a smaller dimensional projection than a wall mount.

Easy Installation

Crestron shades are easy to install. Brackets are easily mounted, and the shade components are secured with no special tools required.

Crestron Design Tool Shades (CDTS) Software

The [Crestron Design Tool Shades \(CDTS\)](#) is a web-based tool used for quoting and ordering Crestron roller shades and drapery tracks. The software may be used to easily create proposals for customers and place orders directly to Crestron.

Digital Quiet Motor Technology

Quiet Motor Technology allows for nearly inaudible operation while providing precise control of shade movement. Digital QMT® shade motors also keep track of the shade's position which allows the shade to be programmatically adjusted to the user's desired position.

Cresnet® Wired Communications (-CN Motors)

Cresnet wired communication provides dependable two-way communication with the control system. The Cresnet bus offers easy wiring and configuration, carrying bidirectional communication and 24VDC power to each device over a simple 4-conductor cable.

infiNET EX® Wireless Communication (-EX Motors)

infiNET EX wireless technology provides two-way RF communications throughout a residential or commercial structure without the need for physical control wiring. Each infiNET EX device acts as an expander by sending command signals to other infiNET EX devices in range (approximately 150 ft (46 m) indoors) to ensure reliability and stability.¹

The shade motor communicates with a Crestron control system via an infiNET EX Wireless Gateway ([CEN-GWEXER](#) or [CEN-GW1](#), sold separately). Up to 100 infiNET EX devices may coexist on a single wireless network.

Power Supply

Power is supplied to the shade motor by a dedicated power supply ([CSA-PWS40](#), sold separately) or a 10-motor power supply ([CSA-PWS10S-HUB-ENET](#), sold separately).

Specifications

Shade Control

Motorized	Operator: Motor; Communications: infiNET EX wireless or Cresnet wired; Torque: 1-1/2 Nm; Speed: 10 - 30 RPM; Duty Cycle: 8 minutes on / 40 minutes off at 4 Nm;
------------------	---

Communications

Cresnet Wired (-CN Motors)	Cresnet controlled device
-----------------------------------	---------------------------

CSA-DECOR3-BRKT-163-EC-MTL

Crestron Shades with Brushed Metal Brackets, Motorized Operation

infiNET EX Wireless (-EX Motors)	RF Transceiver: infiNET EX® 2-way RF, 2.4 GHz ISM Channels 11-26 (2400 to 2483.5 MHz), default channel 15; IEEE 802.15.4 compliant; Range (typical): 150 ft (46 m) indoor (250 ft (76 m) outdoor) to nearest mesh network device(s); Subject to site-specific conditions and individual device capabilities ¹ ; Gateway: Requires a wireless gateway (CEN-GWEXER or CEN-GW1 , sold separately)
---	--

Shade Configuration

Shade Width	17.5 to 96 in. (445 to 2,439 mm); Bracket-to-Bracket (B2B) width including end caps; Width is dependent upon shade height and fabric selection
Fabric Width	1.5 in. (38 mm) deduction; Fabric Width = B2B - 1.5 in. (38 mm)
Light Gap	Drive Side: 0.74 in. (18 mm) Idler Side: 0.76 in. (19 mm)
Tube Diameter	Ø 1.63 in. (42 mm)
Roll Up Diameter	2.4 in. (61 mm)

End Caps

Material	Metal
Colors	Chrome, stainless steel, natural aluminum, black nickel, and old brass

Power Requirements

24VDC	42.5 W, 1.8A @ 24VDC; Requires a dedicated power supply (CSA-PWS40 or CSA-PWS10S-HUB-ENET , sold separately); Use a home home run connection between the motor and the power supply
--------------	--

Connector

Wire lead and Connector	(1) wire lead with 4-pin, 3.8 mm terminal block; For power and wired communication; -EX Models: 2-wire lead for power (24, G); -CN Models: 4-wire lead for power (24, G) and communication (Y, Z)
--------------------------------	--

Controls and Indicators

UP, SET, DN	(3) Recessed pushbuttons; For setup and testing
Status	(1) Multicolor LED; For motor status and diagnostics

Environmental

Temperature	32° to 104°F (0° to 40°C)
Humidity	10% to 90% RH (noncondensing)

Dimensions

Bracket	Height: 2-7/16 in. (62 mm) Width: 1-1/16 in. (28 mm) Depth: 3-1/16 in. (78 mm)
----------------	--

Compliance

Regulatory Model: CSA-DECOR3-BRKT-163-EC-MTL
IC, FCC Part 15 Class B Digital Device

Available Accessories

For a list of available accessories, visit the [CSA-DECOR3-BRKT-163-EC-MTL](#) product page.

Note:

1. Any infiNET EX device that provides expander functionality will effectively extend the range of the wireless network beyond the initial range of the gateway. Battery-powered infiNET EX devices do not provide expander functionality. Crestron also offers dedicated infiNET EX [Wireless Expanders](#) (sold separately), which may be deployed to fill gaps in coverage and extend the wireless range of the mesh network. Up to 100 infiNET EX devices are permitted per gateway, although best practices suggest a limit of approximately 50. Additional gateways may be deployed to support more devices, with a maximum of 16 gateways permitted on a complete system (RF conditions allowing).

Crestron Shades with Brushed Metal Brackets, Motorized Operation

This product may be purchased from select authorized Crestron dealers and distributors. To find a dealer or distributor, please contact the Crestron sales representative for your area. A list of sales representatives is available online at www.crestron.com/How-To-Buy/Find-a-Representative or contact us for additional information by visiting www.crestron.com/contact/our-locations for your local contact.

The original language version of this document is U.S. English. All other languages are a translation of the original document.

The product warranty can be found at www.crestron.com/warranty.

The specific patents that cover Crestron products are listed online at patents.crestron.com.

Certain Crestron products contain open source software. For specific information, please visit www.crestron.com/opensource.

Crestron, the Crestron logo, QMT, and Quiet Motor Technology are either trademarks or registered trademarks of Crestron Electronics, Inc. in the United States and/or other countries. Other trademarks, registered trademarks, and trade names may be used in this document to refer to either the entities claiming the marks and names or their products. Crestron disclaims any proprietary interest in the marks and names of others. Crestron is not responsible for errors in typography or photography.

Specifications are subject to change without notice.

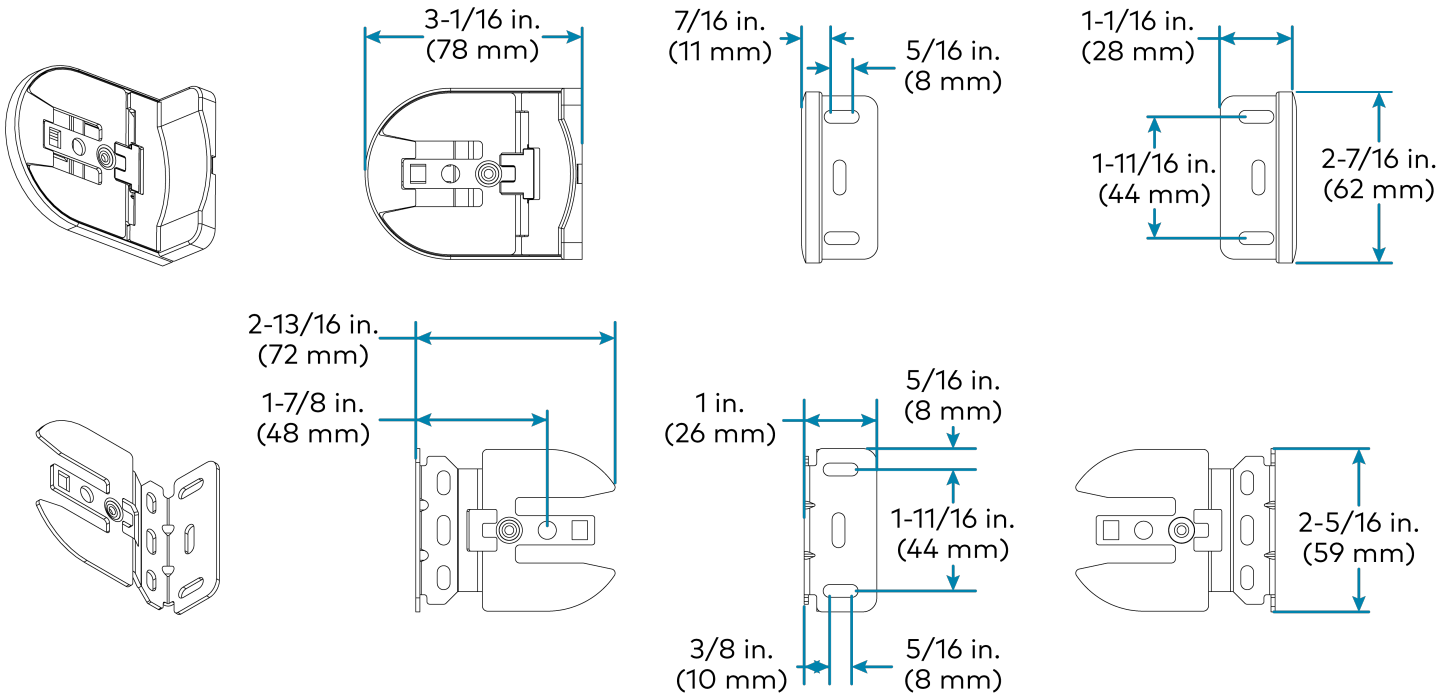
©2022 Crestron Electronics, Inc.

Rev 10/06/22

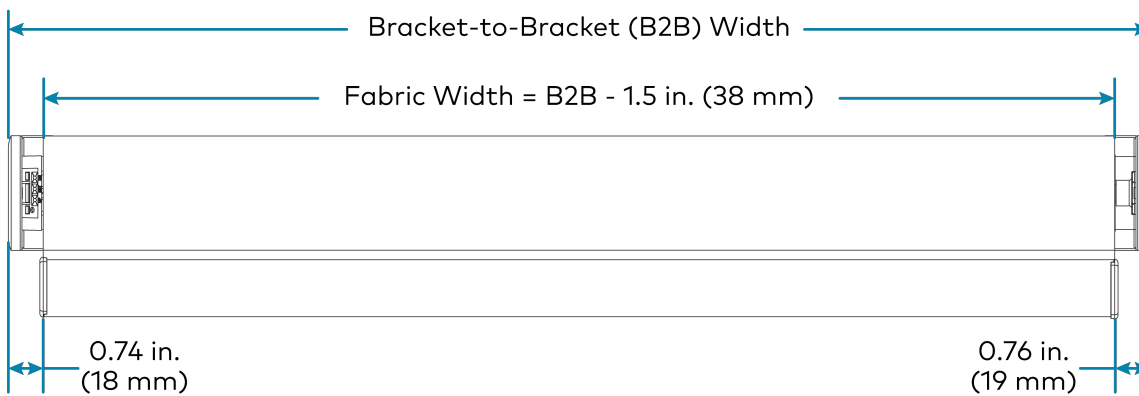
CSA-DECOR3-BRKT-163-EC-MTL

Crestron Shades with Brushed Metal Brackets, Motorized Operation

Bracket Dimensions



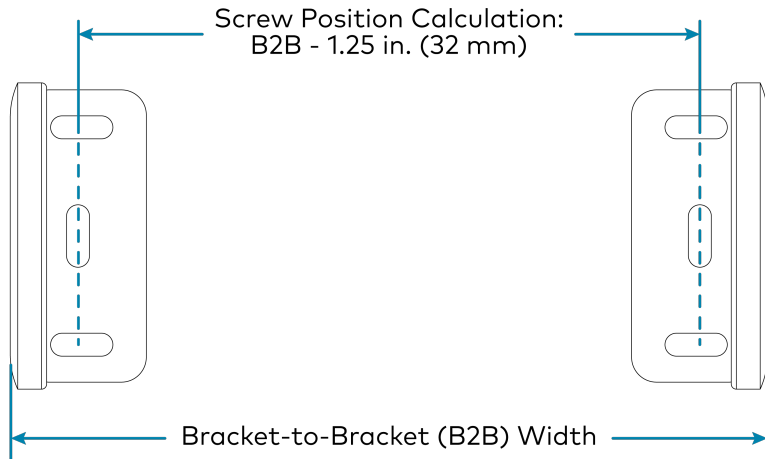
System Size



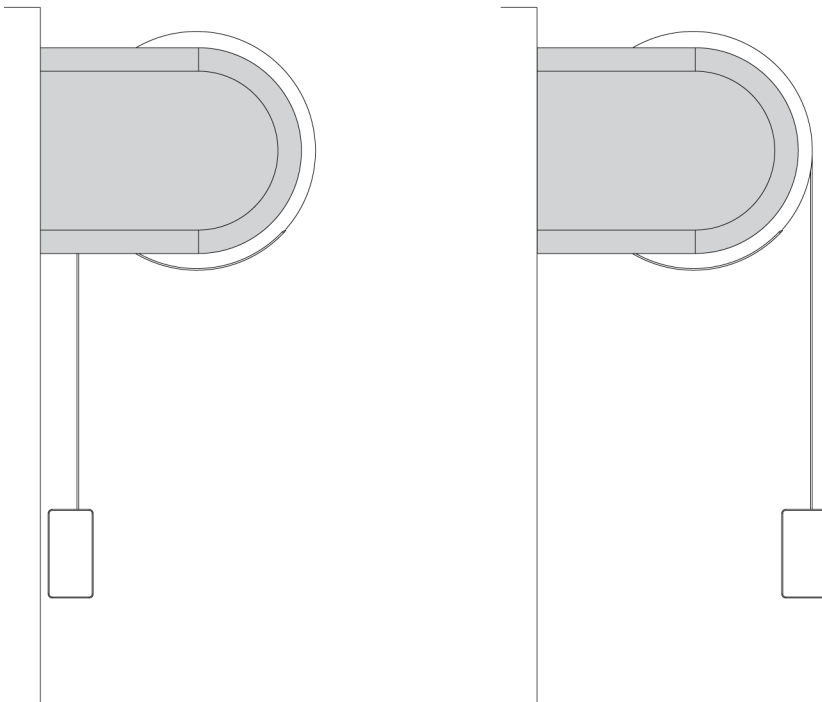
CSA-DECOR3-BRKT-163-EC-MTL

Crestron Shades with Brushed Metal Brackets, Motorized Operation

Bracket Mounting Screw Position



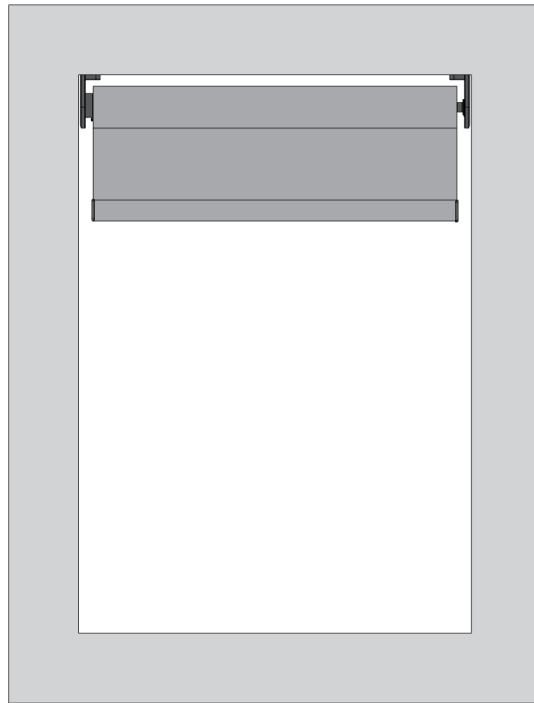
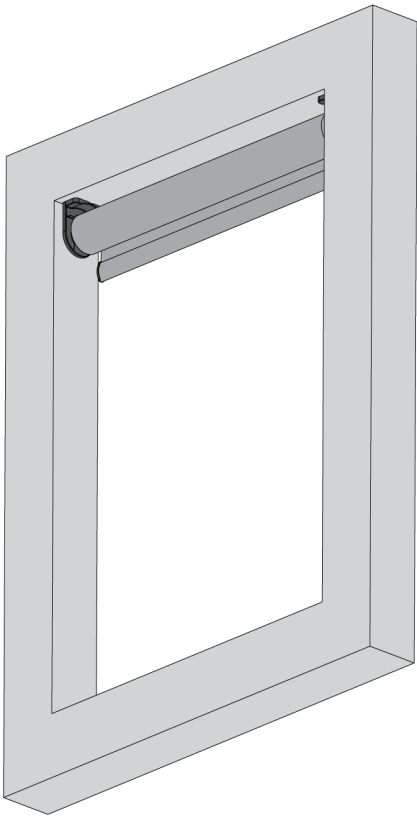
Roll Type: Regular Roll (Left) and Reverse Roll (Right)



CSA-DECOR3-BRKT-163-EC-MTL

Crestron Shades with Brushed Metal Brackets, Motorized Operation

Inside Mount



CSA-DECOR3-BRKT-163-EC-MTL

Crestron Shades with Brushed Metal Brackets, Motorized Operation

Outside Mount

