

Crestron **TSW-UMB-PMK**
Pre-Construction Mounting Kit
for TSW-UMB

Installation Guide



The specific patents that cover Crestron products are listed at patents.crestron.com.

Crestron and the Crestron logo are either trademarks or registered trademarks of Crestron Electronics, Inc. in the United States and/or other countries. Other trademarks, registered trademarks, and trade names may be used in this document to refer to either the entities claiming the marks and names or their products. Crestron disclaims any proprietary interest in the marks and names of others. *Crestron is not responsible for errors in typography or photography.*

This document was written by the Technical Publications department at Crestron.
©2014 Crestron Electronics, Inc.

Contents

Pre-Construction Mounting Kit for TSW-UMB: TSW-UMB-PMK	1
Introduction	1
Installation	4
Resources	5
Further Inquiries	5
Future Updates	5
Return and Warranty Policies	6
Merchandise Returns / Repair Service	6
Crestron Limited Warranty	6

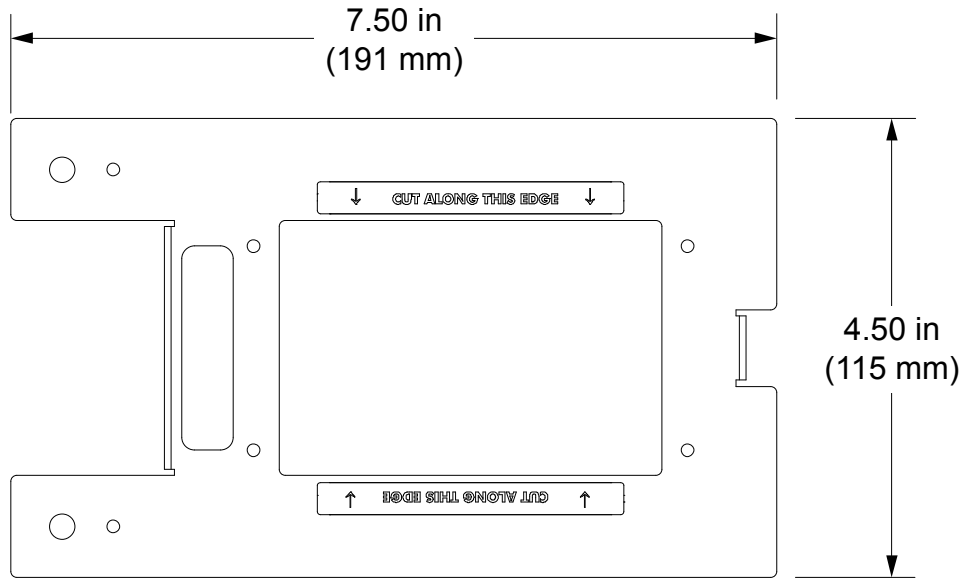
Pre-Construction Mounting Kit for TSW-UMB: TSW-UMB-PMK

Introduction

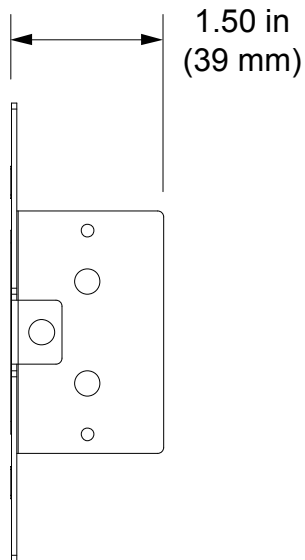
The TSW-UMB-PMK is designed to be used along with the TSW-UMB Universal Mounting Bracket (sold separately) to provide a complete pre-construction mounting solution for many Crestron[®] touch screens and wall docks. The TSW-UMB-PMK permits fastening to the left or right-hand stud of a framed wall prior to the installation of drywall.

Refer to the TSW-UMB spec sheet for a list of compatible devices and additional information.

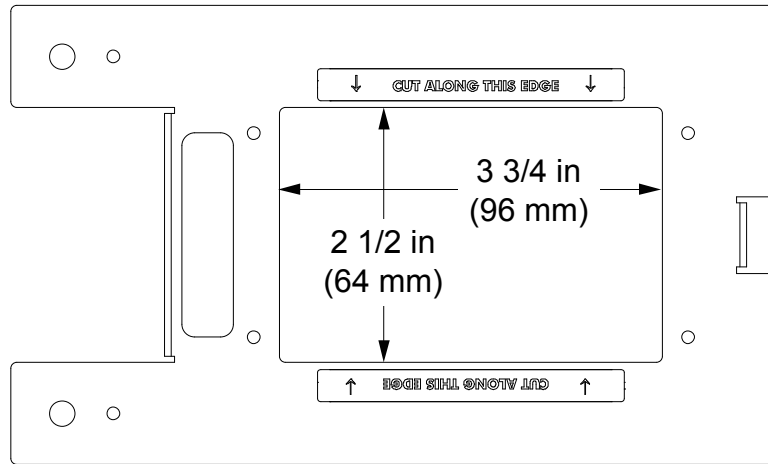
TSW-UMB-PMK Overall Dimensions (Front View)



TSW-UMB-PMK Overall Dimensions (Side View)



TSW-UMB-PMK Cutout Dimensions

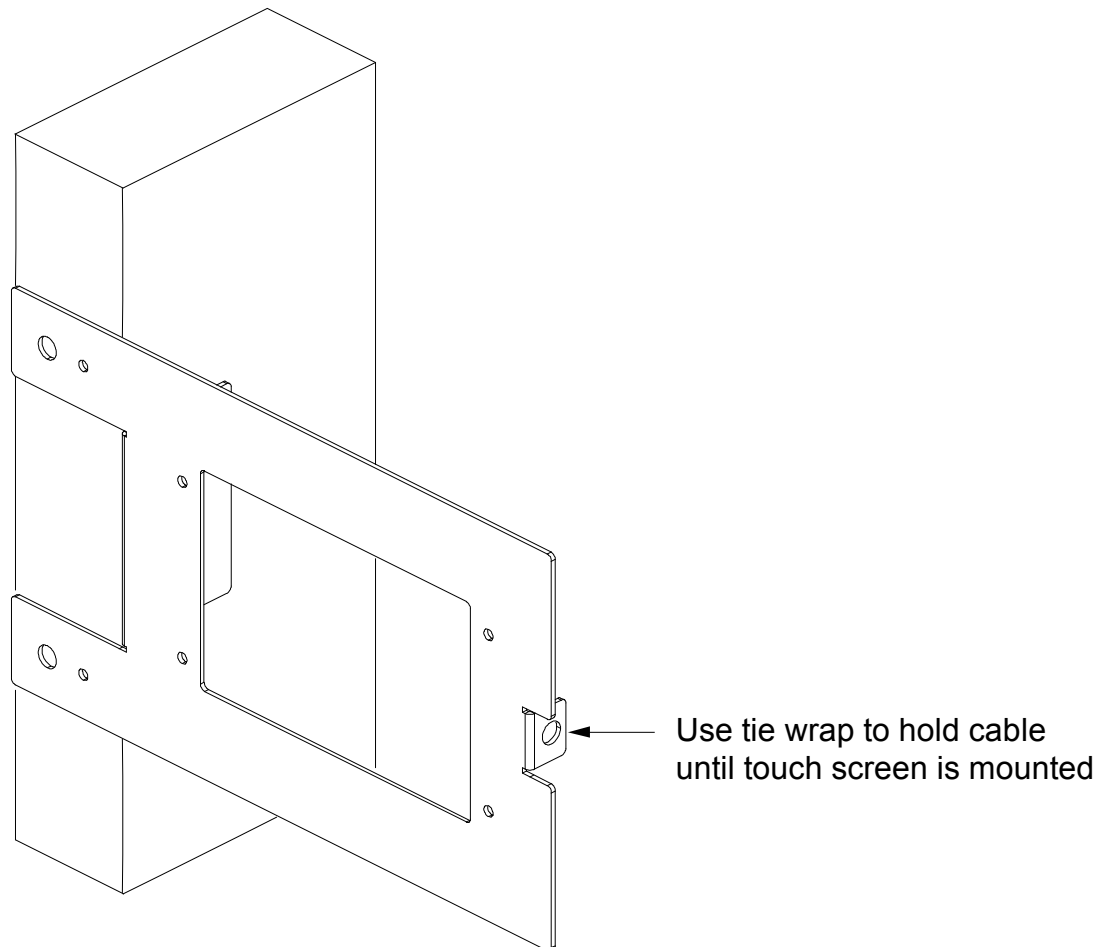


Installation

CAUTION: Allow an air gap of at least 12 inches (305 mm) in the wall cavity above and below the TSW-UMB-PMK for heat dissipation.

For pre-construction applications, use standard drywall nails or screws to attach the TSW-UMB-PMK to a wall stud.

Pre-Construction Installation of TSW-UMB-PMK



For post-construction applications, use the TSW-UMB-PMK as a cutout template by turning it to face the wall, ensuring it is level and temporarily tacking it to the wall with finishing nails (not included) in the smaller holes around the cutout opening.

Resources

Further Inquiries

To locate specific information or resolve questions after reviewing this guide, contact Crestron's True Blue Support at 1-888-CRESTRON [1-888-273-7876] or, for assistance within a particular geographic region, refer to the listing of Crestron worldwide offices at www.crestron.com/offices.

To post a question about Crestron products, log onto Crestron's Online Help at www.crestron.com/onlinehelp. First-time users must establish a user account to fully benefit from all available features.

Future Updates

As Crestron improves functions, adds new features, and extends the capabilities of the TSW-UMB-PMK, additional information may be made available as manual updates. These updates are solely electronic and serve as intermediary supplements prior to the release of a complete technical documentation revision.

Check the Crestron website periodically for manual update availability and its relevance. Updates are identified as an "Addendum" in the Download column.

Return and Warranty Policies

Merchandise Returns / Repair Service

1. No merchandise may be returned for credit, exchange or service without prior authorization from Crestron. To obtain warranty service for Crestron products, contact an authorized Crestron dealer. Only authorized Crestron dealers may contact the factory and request an RMA (Return Merchandise Authorization) number. Enclose a note specifying the nature of the problem, name and phone number of contact person, RMA number and return address.
2. Products may be returned for credit, exchange or service with a Crestron Return Merchandise Authorization (RMA) number. Authorized returns must be shipped freight prepaid to Crestron, 6 Volvo Drive, Rockleigh, N.J. or its authorized subsidiaries, with RMA number clearly marked on the outside of all cartons. Shipments arriving freight collect or without an RMA number shall be subject to refusal. Crestron reserves the right in its sole and absolute discretion to charge a 15% restocking fee plus shipping costs on any products returned with an RMA.
3. Return freight charges following repair of items under warranty shall be paid by Crestron, shipping by standard ground carrier. In the event repairs are found to be non-warranty, return freight costs shall be paid by the purchaser.

Crestron Limited Warranty

Crestron Electronics, Inc. warrants its products to be free from manufacturing defects in materials and workmanship under normal use for a period of three (3) years from the date of purchase from Crestron, with the following exceptions: disk drives and any other moving or rotating mechanical parts, pan/tilt heads and power supplies are covered for a period of one (1) year; touch screen display and overlay components are covered for 90 days; batteries and incandescent lamps are not covered.

This warranty extends to products purchased directly from Crestron or an authorized Crestron dealer. Purchasers should inquire of the dealer regarding the nature and extent of the dealer's warranty, if any.

Crestron shall not be liable to honor the terms of this warranty if the product has been used in any application other than that for which it was intended or if it has been subjected to misuse, accidental damage, modification or improper installation procedures. Furthermore, this warranty does not cover any product that has had the serial number altered, defaced or removed.

This warranty shall be the sole and exclusive remedy to the original purchaser. In no event shall Crestron be liable for incidental or consequential damages of any kind (property or economic damages inclusive) arising from the sale or use of this equipment. Crestron is not liable for any claim made by a third party or made by the purchaser for a third party.

Crestron shall, at its option, repair or replace any product found defective, without charge for parts or labor. Repaired or replaced equipment and parts supplied under this warranty shall be covered only by the unexpired portion of the warranty.

Except as expressly set forth in this warranty, Crestron makes no other warranties, expressed or implied, nor authorizes any other party to offer any warranty, including any implied warranties of merchantability or fitness for a particular purpose. Any implied warranties that may be imposed by law are limited to the terms of this limited warranty. This warranty statement supersedes all previous warranties.

This page is intentionally left blank.



Crestron Electronics, Inc.
15 Volvo Drive Rockleigh, NJ 07647
Tel: 888.CRESTRON
Fax: 201.767.7576
www.crestron.com



Installation Guide – DOC. 7607C
(2038168)

07.14

Specifications subject to
change without notice.