

SSC-ACR Series

Replacement Acrylic Sign Face for the Room Availability Hallway Sign (SSC Series)

The Crestron® SSC-ACR series is a replacement for the acrylic sign face that is used with the Crestron SSC room availability hallway sign.

For simplicity within this guide, the term "acrylic face" is used to refer to all models in the series, except where otherwise noted.

Check the Box

Item	Qty
SSC-ACR-100, SSC-ACR-100-EL, SSC-ACR-102, or SSC-ACR-102-EL	1

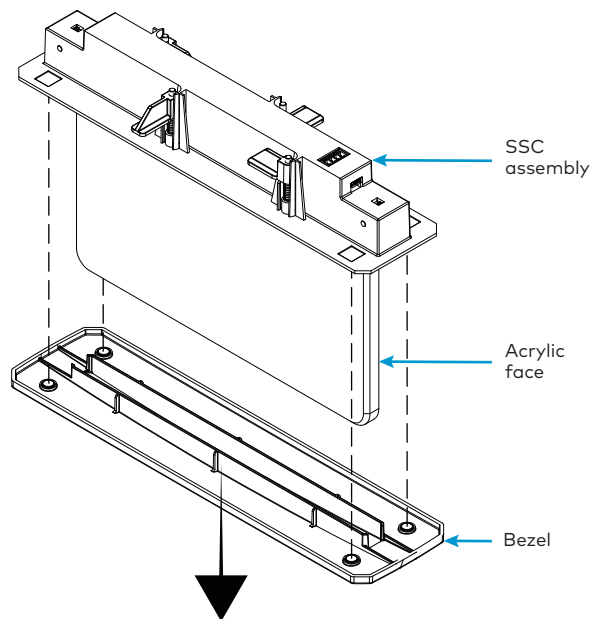
* Refer to the SSC-ACR product page at www.crestron.com for a complete list of color and texture variations.

Install the Replacement Acrylic Face

An installed SSC (Room Availability Hallway Sign) consists of a bezel, acrylic face, and the SSC assembly. The purpose of the following sections is to disassemble the SSC, replace the acrylic face, and reassemble.

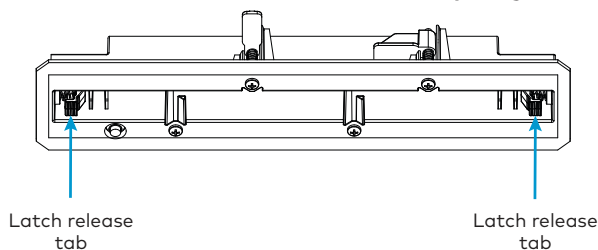
Disassemble the SSC

Remove the Bezel from the SSC Assembly



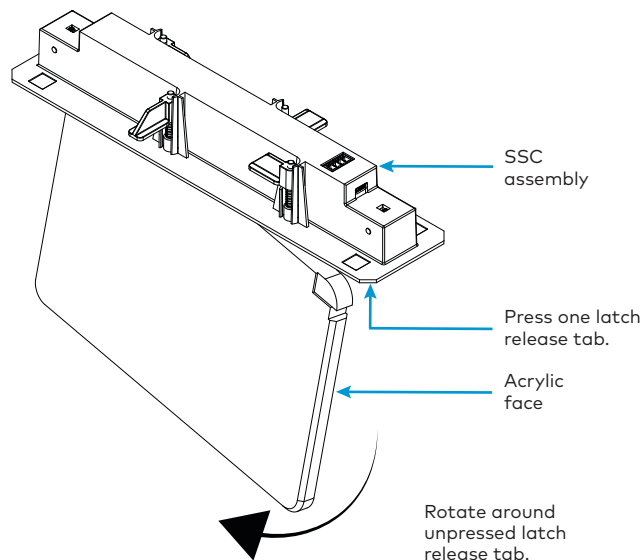
1. Remove the bezel from the SSC assembly by gently pulling it away from the installed sign to break the magnetic hold, then sliding it down and across the acrylic face. Retain the bezel.

Locate Latch Release Tabs on SSC Assembly (Angled View)



NOTE: Each end of the SSC assembly has a latch release tab that secures the acrylic face to the assembly.

Remove the Acrylic Face from the SSC Assembly



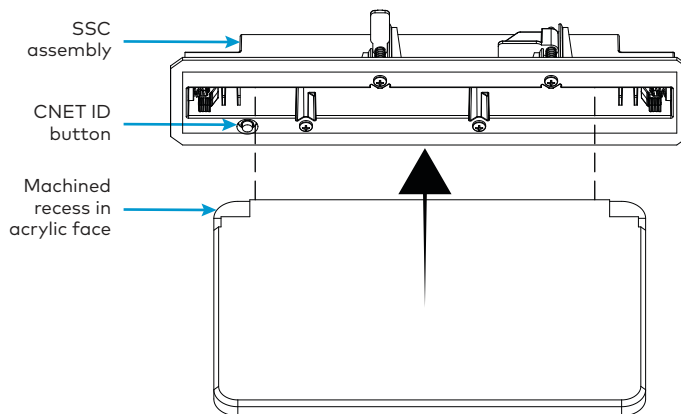
2. Use both hands to complete the following items simultaneously and remove the acrylic face from the SSC assembly.
 - Press the release tab of one latch upward.
 - Hold the acrylic face with the other hand and rotate it around the unpressed latch until it slips away from the assembly.

Reassemble the SSC

NOTES:

- Ensure that the SSC assembly is properly mounted before attaching the replacement acrylic face. For more information on installing the SSC, refer to the SSC Series DO Guide (Doc. 7967) at www.crestron.com/manuals.
- Leave the plastic film on the acrylic face during reassembly to protect it.

Attach Replacement Acrylic Face



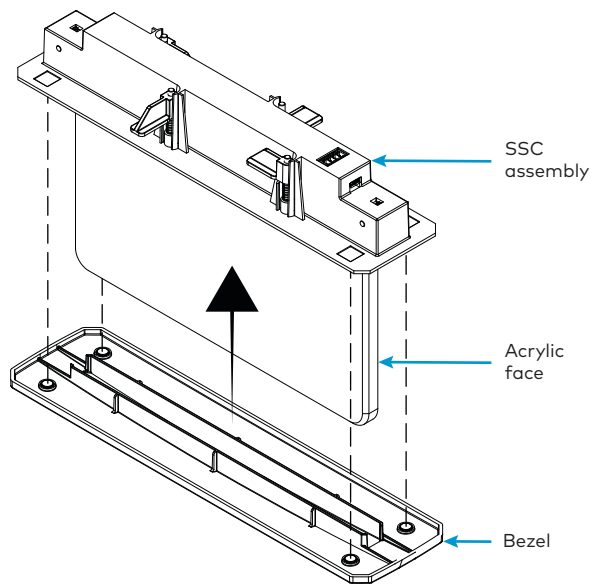
1. Align the replacement acrylic face with the SSC assembly so that the side of the face with the machined recesses is facing away from the side of the assembly with the CNET ID button.

NOTE: Install the acrylic face evenly into the SSC assembly so that the grooves in the top of the face engage both latches at the same time. The face does not easily install into the assembly when inserted at an angle.

2. Push the acrylic face evenly up against both of the latch release tabs. As pressure is applied, the latches click to securely engage the face to the assembly.
3. Remove the plastic film from the acrylic face.



Attach Bezel



4. Slide the bezel retained during the disassembly carefully over the acrylic face until the magnets on the bezel snap into place against the SSC assembly.

Additional Information

Scan or click the QR code for detailed product information on the Crestron website.



SSC-ACR-100



SSC-ACR-102

Compliance and Legal

Original Instructions: The U.S. English version of this document is the original instructions. All other languages are a translation of the original instructions.

Regulatory Model: SSC

The product warranty can be found at www.crestron.com/warranty.

The specific patents that cover Crestron products are listed at www.crestron.com/legal/patents.

Certain Crestron products contain open source software. For specific information, please visit www.crestron.com/opensource.

Crestron and the Crestron logo are either trademarks or registered trademarks of Crestron Electronics, Inc. in the United States and/or other countries. Other trademarks, registered

trademarks, and trade names may be used in this document to refer to either the entities claiming the marks and names or their products. Crestron disclaims any proprietary interest in the marks and names of others. Crestron is not responsible for errors in typography or photography.

©2019 Crestron Electronics, Inc.

Crestron Electronics, Inc.
15 Volvo Drive, Rockleigh, NJ 07647
Tel: 888.CRESTRON
Fax: 201.767.7576
www.crestron.com

Quick Start - Doc. 7985B
(2053688)
03.19

Specifications subject to change without notice.