

# DigitalMedia™ CAT & Fiber Transmitters 300: DM-TX-300N/-F

## Purpose

The purpose of this addendum is to provide additional information not supplied with the original DM-TX-300N/-F Operations Guide (Doc. 6907). Specifically, this addendum:

- Corrects a footnote in “Specifications” that is called out on page 8.
- Provides additional information for the “Hardware Hookup” section that starts on page 20.

## Specifications

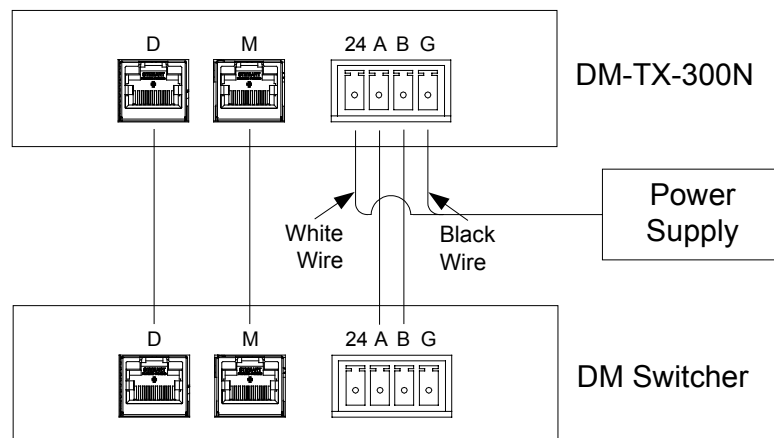
In “Included Accessories”, “Power Pack”, footnote #6 (“DM-TX-300N-F only”) should not be there, as a 24 Volt DC power pack is included with both the DM-TX-300N and DM-TX-300N-F

## Hardware Hookup

The “Hardware Hookup” section for the DM-TX-300N model, should include the following:

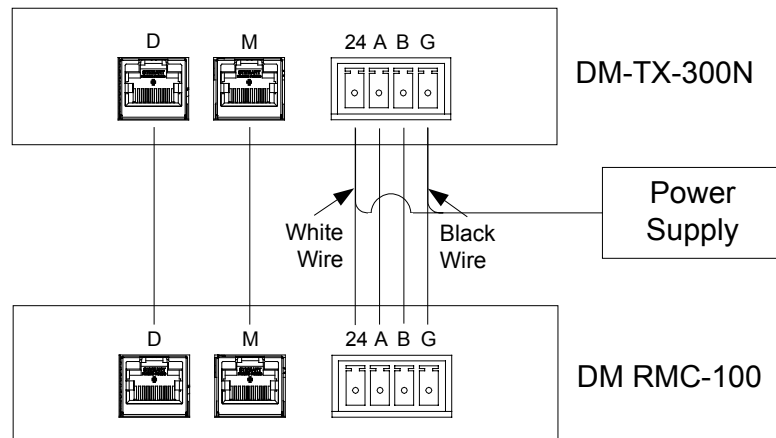
The included power pack for the DM-TX-300N has bare wire leads for connection to the device. The white wire connects to **24**; the black wire connects to **G**. The proper method for connection depends on the associated components in the system, as shown in the following three illustrations.

### *Using the DM-TX-300N with a DM Switcher*



No connection to **24** and **G** on DM Switcher

*Using the DM-TX-300N with a Room Controller/DM CAT Receiver  
(One Power Supply for DM-TX-300N and DM-RMC-100)*



**NOTE:** When using a single supply, ensure it provides sufficient power for both devices.

*Using the DM-TX-300N with a Room Controller/DM CAT Receiver  
(DM-RMC-100 Uses a Separate Power Supply)*

