

Crestron Flex R-Series Plus Mobile UC System with Universal Platform Support



- *Rapid deployment mobile UC system for presenting, calling, conferencing, and collaborating*
- *Universal conferencing platform support*
- *Utilizes the Crestron Mercury® X console to provide a superior conferencing and collaboration experience*
- *Includes an intelligent collaboration camera with a 150° field of view (CCS-CAM-USB-F-400)*
- *20 ft microphone range with 360° quad array*
- *Supports most 50 in. to 60 in. displays (not included)*
- *Easy to provision and manage with the XiO Cloud® service*
- *Premium-level support with Crestron Flex Care (optional)*
- *Enterprise-grade security for connecting and communicating over any enterprise or SMB network*

The Crestron Flex R-Series Plus mobile UC system can be rapidly deployed to provide convenient video conferencing in a variety of professional settings, such as corporate, education, healthcare, or manufacturing environments. All components mount to a wheeled cart to bring collaboration to wherever it is needed.

Universal Platform Support

High Definition video conferencing is enabled by connecting a computer or mobile device running a web conferencing or UC application such as Microsoft Teams®, Skype® for Business, Cisco WebEx®, GotoMeeting®, Slack®, BlueJeans, or Zoom Rooms™ software to the CCS-UC-1-X.

Built-in AirMedia® 2.0 technology allows for wireless content presentation from a laptop, smartphone, or tablet device via a Wi-Fi® wireless network. For more information about AirMedia technology, please visit www.crestron.com/airmedia.¹

Crestron Mercury® X Tabletop Console

The included Crestron Mercury X Tabletop Console (CCS-UC-1-X) provides superior conferencing and collaboration for R-Series systems. The CCS-UC-1-X delivers a simple and consistent user experience through its large 7 in. HD color touch screen. Its integrated AEC-enabled USB speakerphone affords full-duplex wideband audio performance.

For more information, refer to the [CCS-UC-1-X](#) product page.

High-Definition Video Conferencing

The included camera features an ultra wide-angle 150° diagonal field of view to capture any space in Full HD 1080p video resolution. High precision aspherical optics, 12 MP CMOS sensor, and advanced video processing ensure a clear video image free from light or noise artifacts. Genius Framing digital autozoom intelligently detects the people in the room and frames them for an optimal view.

XiO Cloud® Provisioning and Management Service

Crestron Flex R-Series systems are enterprise grade solutions that are equipped for mass deployment. R-Series systems are easily manageable with the XiO Cloud service, an IoT (Internet of Things) based platform for remotely provisioning, monitoring, and managing Crestron devices. The service allows for the deployment and management of thousands of devices in the amount of time it previously took to manage just one. Advanced security features ensure privacy, reliability, and compliance with your organization's IT policies.

For more information, visit www.crestron.com/xiocloud.

Premium-Level Support

Crestron Flex Care is an optional subscription service that automatically renews annually, providing 24/7 live remote technical support, an extended five year warranty on Crestron® hardware, expedited advance replacements, and a discounted rate for on-site support.

Visit www.crestron.com/flexcare for additional information.

Deployment Resources

View the [Crestron Flex Pre-Deployment Checklist](#) to help plan your Crestron Flex installation.

UC-FCM-U

Crestron Flex R-Series Plus Mobile UC System with Universal Platform Support

Specifications

Included Components

Wheeled Cart	Metal frame comprised of: (4) Caster wheels; VESA® compliant display mounting bracket; Custom shelving for Crestron components; Power and Ethernet cable retractors
CCS-UC-1-X	Crestron Mercury X Tabletop Console; PW-2420RU Universal power pack for audio conference console; Cable, CAT5e, RJ-45 Male - RJ-45 Male, 12 ft (3.66 m); Cable, USB 2.0, A - Micro B, 6 ft (1.83 m); Retention Plate, Cable Tie Wrap
CCS-CAM-USB-F-400	Collaboration camera
HD-RX-USB-2000-C	4K HDMI® & USB over HDBaseT® Receiver
CBL-HD-THIN-HS-6	Thin HDMI cable for connecting display device, Type A male-to-male, 6 ft (1.83 m)
CBL-HD-6	Crestron® Certified HDMI® Interface Cable, 18 Gbps, 6 ft (1.83 m)
CBL-USB-A-BMICRO-6	USB Cable, USB Type A Male to Micro-B Male, 6 ft (1.83 m)
CBL-USBC-USBA-6	USB-C® to HDMI converter cable, USB Type-C® male to HDMI Type A male, 9 ft (2.74 m)
DM-CBL-ULTRA-PC-20	Ethernet LAN cable, CAT6a, RJ45-to-RJ45, blue, 20 ft (6.1 m)

Crestron Mercury X Conferencing Console

Touch Screen	7 in. (178 mm) diagonal capacitive multi-touch TFT active matrix color LCD, 1280 x 800 pixels
UI	Microsoft Teams UI

Mic Mute Symbol and Light Bar

(2) Capacitive buttons with bi-color LEDs;
Either button toggles between mute and unmute;
The symbol LED flashes green when the unit is powering up;
All LEDs illuminate red when the mic is muted;
All LEDs illuminate green when the mic is unmuted during an active call or online meeting

AEC

Limes Audio TrueVoice® acoustic echo cancellation, automatic mic mixing, automatic gain control, and dynamic noise reduction;
Full-duplex IEEE 1329 Type 1 compliant

Speaker

Full range speaker, 11 W amplifier power, 95 dB SPL at 0.5 m with maximum output, 90 Hz to 22 kHz frequency response

Microphones

360° quad mic array, 20 ft (6.1 m) typical pickup range

Extension Microphones

Supports two mic pods, model CCS-UCA-MIC KIT (sold separately)

Occupancy Sensor

Patent-pending Persistent Occupancy Awareness combining passive infrared motion and voice activity detection, 6 ft (1.83 m) PIR range in front of touch screen, sensor activates touch screen and reports room occupancy to Crestron Fusion® monitoring and scheduling software

Ethernet

100 Mbps;
Enterprise grade security and management including IEEE 802.1X, Active Directory® authentication, LDAP, Kerberos, SSL, TLS, SSH, SFTP (SSH File Transfer Protocol), SRTP (digest access authentication, password login, HTTPS secure provisioning, Crestron XiO Cloud client

USB

USB 2.0 micro Type B device port, supports UAC for audio interface to UC Engine (cable included)

Power

24 VDC via external 100-240 VAC, 50/60 Hz power pack, model PW-2420RU

NOTE: The CCS-UC-1-X cannot be powered by Power over Ethernet (PoE+).

UC-FCM-U

Crestron Flex R-Series Plus Mobile UC System with Universal Platform Support

Dimensions	Height: 4.11 in. (105 mm) Width: 8.92 in. (227 mm) Depth: 12.74 in. (324 mm)
Weight	5.5 lb (2.5 kg)

Refer to the [CCS-UC-1-X](#) product page for additional information.

Camera

Field of View	150° diagonal, 120° horizontal, 90° vertical
Connectivity	Plug-and-play USB 3.1
Resolution/FPS	HD 1080p @ 30 fps
Dimensions	Height: 1.30 in. (33 mm) Width: 1.58 in. (40 mm) Depth: 2.82 in. (72 mm)
Weight	4.1 oz (115 g)

Refer to the [CCS-CAM-USB-F-400](#) product page for additional information.

Wheeled Cart

Wheels	(4) Casters
Cable Management	Ethernet cable retractor; Power cable retractor; Cable management kit consisting of (2) large and (2) small openings
Display Mounting	VESA® compliant mounting bracket for 50 in. to 60 in. displays
Device Mounting	Custom shelf beneath the display mounting bracket for the included Crestron Mercury device
Construction	Steel subframe
Dimensions	Height: 68.9 in. (1750 mm) without display and display bracket Width: 43.5 in. (1105 mm) without display and display bracket Usable Depth: 4.3 in. (109 mm)
Cart Weight	206 lbs
Compliance	UL® listed for US and Canada

Models

UC-FCB-T

Crestron Flex R-Series Mobile UC System for Microsoft Teams® Rooms

UC-FCB-Z

Crestron Flex R-Series Mobile UC System for Zoom Rooms™ Software

UC-FCM-T

Crestron Flex R-Series Plus Mobile UC System for Microsoft Teams® Rooms

UC-FCM-Z

Crestron Flex R-Series Plus Mobile UC System for Zoom Rooms™ Software

UC-FCMX-T

Crestron Flex R-Series Plus Mobile UC System with BYOD Support for Microsoft Teams® Rooms

UC-FCMX-Z

Crestron Flex R-Series Plus Mobile UC System with BYOD Support for Zoom Rooms™ Software

UC-FCM-U

Crestron Flex R-Series Plus Mobile UC System with Universal Platform Support

Available Accessories

For a list of available accessories, visit the [UC-FCM-U](#) product page.

Note:

1. AirMedia wireless presentation requires a wired network connection between the CCS-UC-1-X and an external Wi-Fi wireless access point (not included). Laptops may alternately connect to AirMedia using a wired Ethernet connection. Full-motion video performance is dependent upon the performance of the network and the sending device. Computer client software and mobile device apps are available for download at www.crestron.com/airmedia.

UC-FCM-U

Crestron Flex R-Series Plus Mobile UC System with Universal Platform Support

This product may be purchased from select authorized Crestron dealers and distributors. To find a dealer or distributor, please contact the Crestron sales representative for your area. A list of sales representatives is available online at www.crestron.com/How-To-Buy/Find-a-Representative or by calling 855-263-8754.

This product is covered under the Crestron standard limited warranty. Refer to www.crestron.com/warranty for full details.

The specific patents that cover Crestron products are listed online at patents.crestron.com.

Certain Crestron products contain open source software. For specific information, please visit www.crestron.com/opensource.

Crestron, the Crestron logo, AirMedia, Crestron Fusion, Crestron Mercury, XiO Cloud, and DigitalMedia are either trademarks or registered trademarks of Crestron Electronics, Inc. in the United States and/or other countries. Cisco Webex is either a trademark or registered trademark of Cisco Technology, Inc. in the United States and/or other countries. GotoMeeting is either a trademark or registered trademark of Citrix Online, LLC in the United States and/or other countries. TrueVoice is either a trademark or registered trademark of Google Inc. in the United States and/or other countries. HDBaseT is either a trademark or registered trademark of the HDBaseT Alliance in the United States and/or other countries. HDMI is either a trademark or registered trademark of HDMI Licensing LLC in the United States and/or other countries. Active Directory, Microsoft Teams, and Skype are either trademarks or registered trademarks of Microsoft Corporation in the United States and/or other countries. Slack is either a trademark or registered trademark of Slack Technologies, Inc. in the United States and/or other countries. UL is either a trademark or registered trademark of Underwriters Laboratories, Inc. in the United States and/or other countries. VESA is either a trademark or registered trademark of Video Electronics Standards Association in the United States and/or other countries. Wi-Fi is either a trademark or registered trademark of Wi-Fi Alliance in the United States and/or other countries. Zoom Rooms is either a trademark or registered trademark of Zoom Video Communications, Inc. in the United States and/or other countries. Other trademarks, registered trademarks, and trade names may be used in this document to refer to either the entities claiming the marks and names or their products. Crestron disclaims any proprietary interest in the marks and names of others. Crestron is not responsible for errors in typography or photography.

Specifications are subject to change without notice.

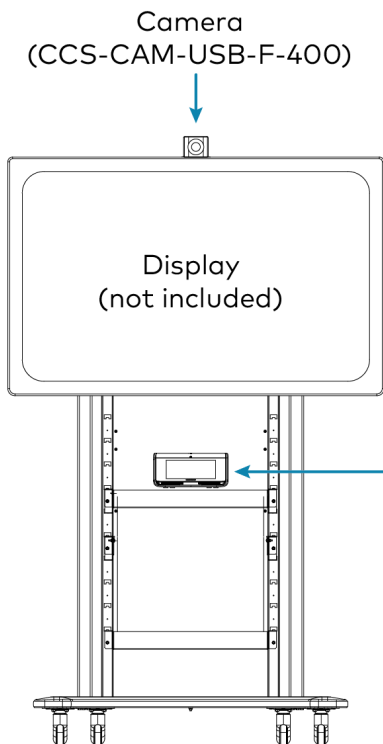
©2021 Crestron Electronics, Inc.

Rev 09/13/21

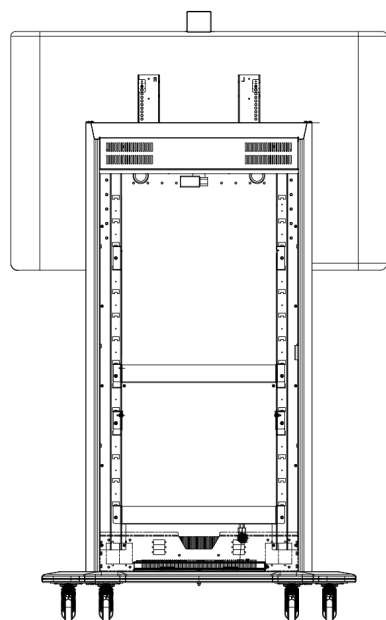
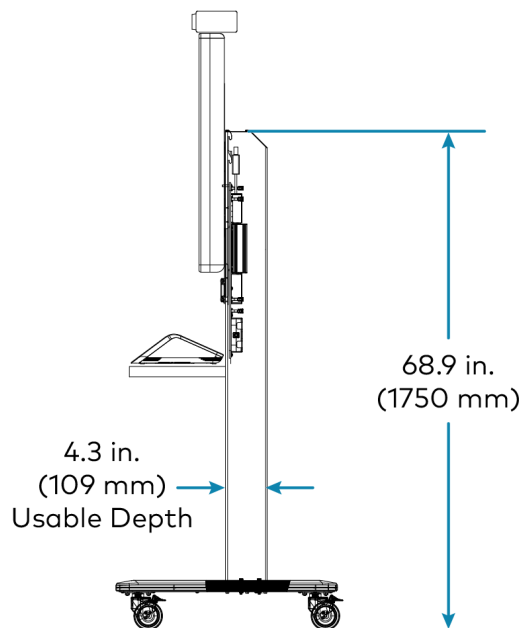
UC-FCM-U

Crestron Flex R-Series Plus Mobile UC System with Universal Platform Support

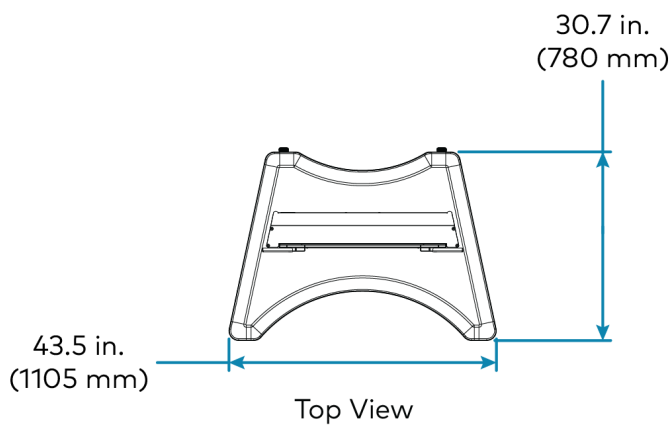
UC-FCM-U



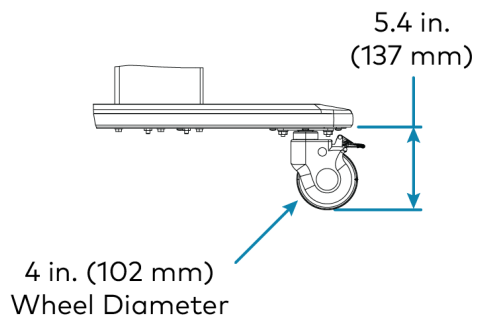
Crestron Mercury Conferencing Device



Rear cover removed for clarity



Top View



4 in. (102 mm)
Wheel Diameter