

## Face Plate for TSW-770 Series

The Crestron® [TSW-770-FP](#) is a face plate for [TSW-770](#) and [TSS-770](#) series touch screens that can be used when replacing a TSW-760 or TSS-7 series touch screen. The TSW-770-FP installs over an electrical box or existing mounting cutout to ensure no part of the installation is exposed. The TSW-770-FP comes in white or black variants to match the touch screen color.



### In the Box

- 1 TSW-770-FP, Face Plate for TSW-770 Series

#### TSW-770-FP-B-S Only

- 1 Cover Plate, Plastic, Black (2055393)

#### TSW-770-FP-W-S Only

- 1 Cover Plate, Plastic, White (2055392)



## Install the Face Plate

To install the face plate in existing TSW-760 or TSS-7 installations:

1. Pull the TSW-760 or TSS-7 carefully out its mounting bracket and disconnect all cables from the rear of the touch screen.

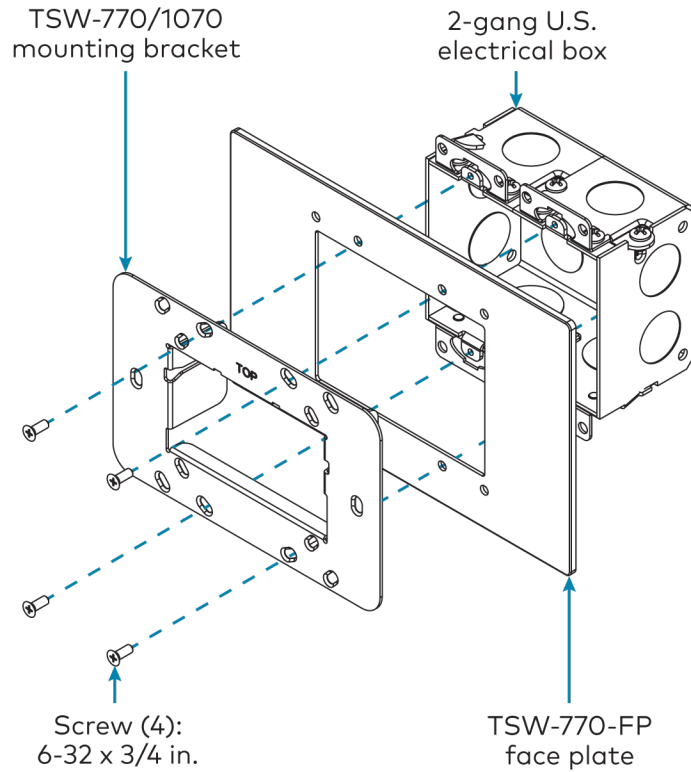
**NOTE:** If the touch screen is secured to the mounting bracket with a security bracket, refer to the removal procedure described in the [TSW-560/TSW-760/TSW-1060 Quick Start \(Doc. 7926\)](#) or the [TSS-7/TSS-10 Quick Start \(Doc. 8326\)](#).

2. Remove the TSW-760/1060 mounting bracket from the electrical box or mounting cutout.
3. Attach the face plate to the TSW-770/1070 mounting bracket and electrical box or mounting cutout with the appropriate screws. The mounting bracket and screws are included with the TSW-770 or TSS-770 touch screen.
  - For U.S.-style installations, use the four 6-32 x 3/4 in. screws.
  - For European-style installations, use the four M3 x 16 mm screws.
  - For U.K.-style installations, use the two M3 x 25 mm screws.

## Face Plate for TSW-770 Series

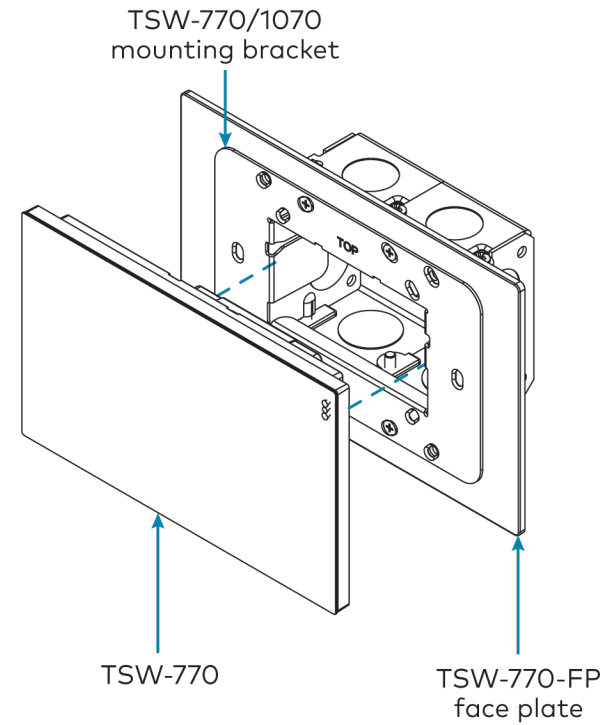
Refer to the following illustration depicting a U.S.-style installation.

### U.S.-Style Installation



4. Connect all cables to their appropriate ports on the touch screen.
5. Push the touch screen into its mounting bracket.

### Complete the Installation



## Face Plate for TSW-770 Series



### Visit the Product Page

Scan the QR code to visit the product page.

TSW-770-FP



[www.crestron.com/model/6511457](http://www.crestron.com/model/6511457)

### Additional Information

#### Original Instructions

The U.S. English version of this document is the original instructions. All other languages are a translation of the original instructions.

Crestron product development software is licensed to Crestron dealers and Crestron Service Providers (CSPs) under a limited nonexclusive, nontransferable Software Development Tools License Agreement. Crestron product operating system software is licensed to Crestron dealers, CSPs, and end-users under a separate End-User License Agreement. Both of these Agreements can be found on the Crestron website at [www.crestron.com/legal/software\\_license\\_agreement](http://www.crestron.com/legal/software_license_agreement).

The product warranty can be found at [www.crestron.com/warranty](http://www.crestron.com/warranty).

The specific patents that cover Crestron products are listed at [www.crestron.com/legal/patents](http://www.crestron.com/legal/patents).

Certain Crestron products contain open source software. For specific information, visit [www.crestron.com/opensource](http://www.crestron.com/opensource).

Crestron and the Crestron logo are either trademarks or registered trademarks of Crestron Electronics, Inc. in the United States and/or other countries. Other trademarks, registered trademarks, and trade names may be used in this document to refer to either the entities claiming the marks and names or their products. Crestron disclaims any proprietary interest in the marks and names of others. Crestron is not responsible for errors in typography or photography.

©2020 Crestron Electronics, Inc.

Doc. 8742A

07/29/20