

CSA-PWS40/CSAI-PWS40

Power Pack for Crestron® CSM-QMTDC Series Roller Shade and Drapery Track Motors

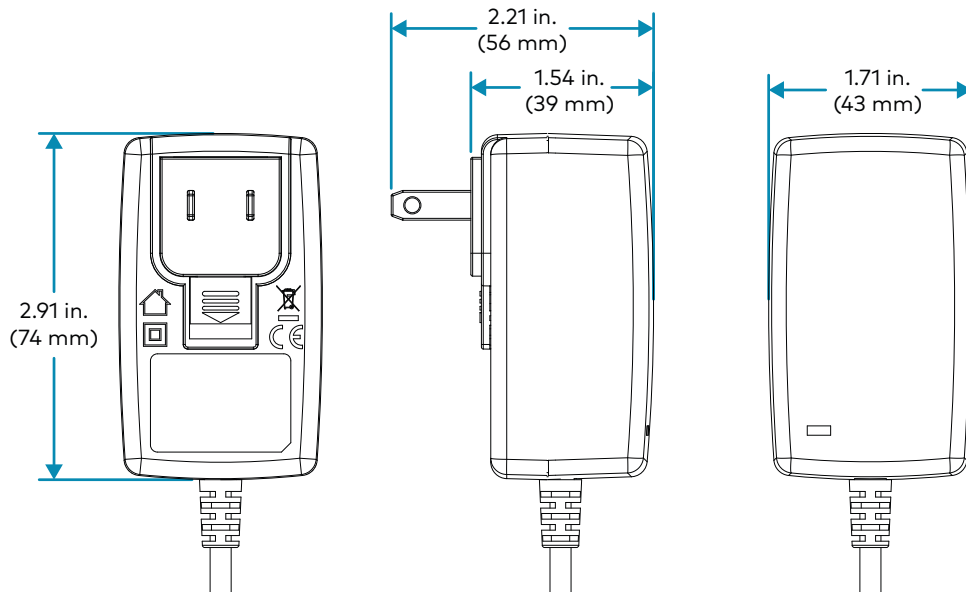
The CSA-PWS40 and CSAI-PWS40 are outlet-mountable, 40 W, 24 VDC regulated power packs that provide power for Crestron® CSM-QMTDC series roller shade or drapery track motors. The CSA-PWS40 has a NEMA 1-15P blade insert installed and the CSAI-PWS40 ships with a blade insert kit that consists of eight blade inserts.

The CSA-PWS40 and CSAI-PWS40 are ideally suited to provide local power for CSM-QMTDC motors that communicate using the infiNET EX® network.

Check the Box

Item	Qty
CSA-PWS40 or CSAI-PWS40	1
CSAI-PWS40 Only	
Blade Insert Kit, 8 Blades, International	1

Dimensions



Install the Power Pack

NOTES:

- Install and use this product in accordance with appropriate electrical codes and regulations.
- An AC outlet must be located near the CSM-QMTDC series roller shade or drapery track motor that is powered by the power pack. The power pack has an 8 ft (2.43 m) long power cable.

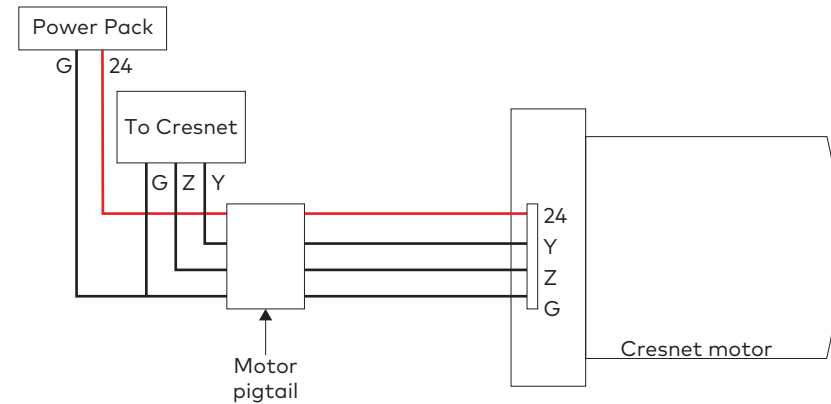
Install the power pack:

1. Connect the flying leads from the power pack to the flying leads on the CSM-QMTDC series roller shade or drapery track motor. Ensure that connections are properly made.

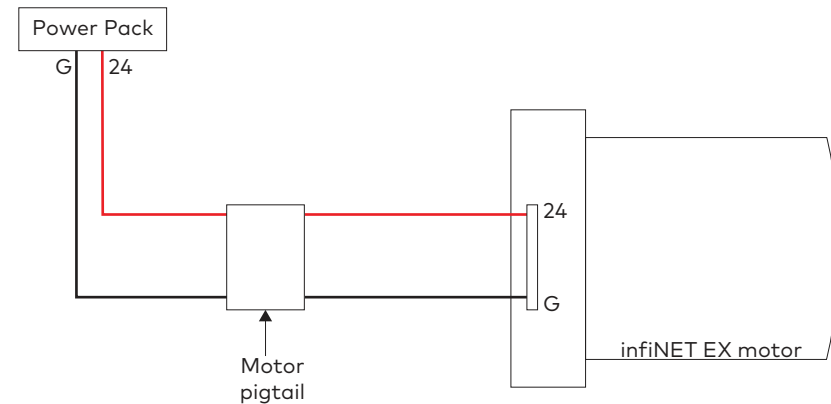
NOTE: To change the plug type on the CSAI-PWS40, refer to the "Change the Blade Insert" section on the next page.

2. Plug the power pack into a 120 VAC power outlet.

Wiring Diagram Using a Cresnet Motor



Wiring Diagram Using an infiNET EX Motor



Change the Blade Insert (CSAI-PWS40 Only)

1. If a blade insert is attached to the CSAI-PWS40, slide the spring-loaded locking key downward and then pull upward on the blade insert to remove it.
2. Insert the top edge of the blade assembly into the top of the CSAI-PWS40 at a 30-60 degree angle.
NOTE: The top edge of the blade assembly is flat, and the bottom edge is U-shaped. The CSAI-PWS40 is shaped similarly.
3. Push the blade insert down into the CSAI-PWS40 until it locks into place. A clicking sound will occur.
4. Pull up on the blade to check that the blade insert is securely installed.

Technical Specifications

Refer to the CSA-PWS40 product page at www.crestron.com for a complete list of product specifications.

Specification	Details
Output Rating	24 VDC, 40 W (1.66 A), regulated
Power Requirements	1 A @ 100-240 VAC, 50/60 Hz
Connections	
Line	(1) power plug, line power input
Load	(1) 8 ft (2.43 m) attached cable with inline ferrite core and flying leads
Construction	94V-0 polycarbonate, white, outlet-mountable
Environmental	
Temperature	32° to 104°F (0° to 40°C)
Humidity	15% to 95% RH (noncondensing)
Weight	6.4 oz (182 g)

Additional Information

Scan or click the QR code for detailed product information.



CSA-PWS40



CSAI-PWS40

Compliance and Legal

Original Instructions: The U.S. English version of this document is the original instructions. All other languages are a translation of the original instructions.

As of the date of manufacture, the product has been tested and found to comply with specifications for CE marking.



This product is listed to applicable UL® Standards and requirements tested by Intertek® services.

Ce produit est homologué selon les normes et les exigences UL applicables par Intertek Prestations de service.



Federal Communications Commission (FCC) Compliance Statement

This device complies with part 15 of the FCC Rules. Operation is subject to the following conditions: (1) This device may not cause harmful interference and (2) this device must accept any interference received, including interference that may cause undesired operation.

CAUTION: Changes or modifications not expressly approved by the manufacturer responsible for compliance could void the user's authority to operate the equipment.

NOTE: This equipment has been tested and found to comply with the limits for a Class B digital device, pursuant to part 15 of the FCC Rules. These limits are designed to provide reasonable protection against harmful interference in a residential installation. This equipment generates, uses and can radiate radio frequency energy and, if not installed and used in accordance with the instructions, may cause harmful interference to radio communications. However, there is no guarantee that interference will not occur in a particular installation. If this equipment does cause harmful interference to radio or television reception, which can be determined by turning the equipment off and on, the user is encouraged to try to correct the interference by one or more of the following measures:

- Reorient or relocate the receiving antenna.
- Increase the separation between the equipment and receiver.
- Connect the equipment into an outlet on a circuit different from that to which the receiver is connected.
- Consult the dealer or an experienced radio/TV technician for help.

Industry Canada (IC) Compliance Statement

CAN ICES-3 (B)/NMB-3(B)

The product warranty can be found at www.crestron.com/warranty.

The specific patents that cover Crestron products are listed at www.crestron.com/legal/patents.

Certain Crestron products contain open source software. For specific information, please visit www.crestron.com/opensource.

Crestron, the Crestron logo, and iFinET EX are either trademarks or registered trademarks of Crestron Electronics, Inc. in the United States and/or other countries. The ETL logo is either a trademark or registered trademark of Intertek Testing Services NA in the United States and/or other countries. UL is either a trademark or registered trademark of Underwriters Laboratories, Inc. in the United States and/or other countries. Other trademarks, registered trademarks, and trade names may be used in this document to refer to either the entities claiming the marks and names or their products. Crestron disclaims any proprietary interest in the marks and names of others. Crestron is not responsible for errors in typography or photography.

©2019 Crestron Electronics, Inc.

Crestron Electronics, Inc.
15 Volvo Drive, Rockleigh, NJ 07647
Tel: 888.CRESTRON
Fax: 201.767.7576
www.crestron.com

Quick Start - Doc. 7370D
(2053450)
05/15/19

Specifications subject to change without notice.