

FT2A-CBLR-BRKT-202

Mid-Row Cable Retractor Adapter Bracket for FT2-202 Series

- Enables installation of one cable retractor in the middle module position within an FT2-202 Series FlipTop™
- Attaches below the table to the front or rear of the FlipTop chassis
- Provides mounting slots for one retractor and one power supply
- Compatible with FT2-202-MECH and FT2-202-ELEC Series FlipTops™
- Compatible with Gravity Retractors and One-Touch Retractors (FT2A-CBLR-GR and FT2A-CBLR-1T Series respectively)

The FT2A-CBLR-BRKT-202 is an adapter bracket for a Crestron® FT2-202 Series FlipTop™ that enables the installation of a single cable retractor in the middle position within the FlipTop. It attaches to the front or rear of the FlipTop chassis, and provides mounting slots for one retractor and one power supply.

FT2-202 Series FlipTops normally support the installation of cable retractors at the left and right ends of the module row. Adding the FT2A-CBLR-BRKT-202 bracket allows a retractor to be installed in the middle of the row, allowing for a total of up to three retractors across the entire row. The mid-row retractor occupies the third and fourth module slots of the row.

When installing a mid-row retractor, the bracket and retractor can attach to either the front or rear of the FlipTop chassis below the table. When installed, the mid-row retractor enclosure projects from the front or rear of the chassis perpendicular to the end-mounted retractors. The cable connector nests within the retractor module above the table at a 90° rotation relative to other connectors within the FlipTop.

Note: Using the bracket, an FT2A-CBLR-GR Series Gravity Retractor requires 2-3/4 inches (70 mm) horizontal clearance, and an FT2A-CBLR-1T Series One-Touch Retractor requires 9 inches (228 mm) horizontal clearance, measured from the front or rear of the FlipTop chassis beneath the table. Refer to each product's spec sheet for additional dimensions and clearances.

When used with an FT2-202-ELEC Series "Electrical" FlipTop, the FT2A-CBLR-BRKT-202 bracket retains the ability to mount a single FT2A-UTK-PWS power supply on the same side as the cable retractor.

Models & Accessories

Available Models

FT2A-CBLR-BRKT-202

Mid-Row Cable Retractor Adapter Bracket for FT2-202 Series

FT2A-CBLR-BRKT-700

Mid-Row Cable Retractor Adapter Bracket for FT2-700 Series

FT2A-CBLR-BRKT-1200

Mid-Row Cable Retractor Adapter Bracket for FT2-1200 Series

FT2A-CBLR-BRKT-1400

Mid-Row Cable Retractor Adapter Bracket for FT2-1400 Series

Available Accessories

FT2A-CBLR-1T-4K-DP

One-Touch Cable Retractor for FT2 ELEC Series, DisplayPort to DisplayPort, 18 Gbps

FT2A-CBLR-1T-4K-DP-HD

One-Touch Cable Retractor for FT2 ELEC Series, DisplayPort to HDMI®, 18 Gbps

FT2A-CBLR-1T-4K-HD

One-Touch Cable Retractor for FT2 ELEC Series, HDMI to HDMI, 18 Gbps

FT2A-CBLR-1T-4K-MDP-DP

One-Touch Cable Retractor for FT2 ELEC Series, Mini DisplayPort to DisplayPort, 18 Gbps

FT2A-CBLR-1T-4K-MDP-HD

One-Touch Cable Retractor for FT2 ELEC Series, Mini DisplayPort to HDMI, 18 Gbps

FT2A-CBLR-1T-4K-USBC-HD

One-Touch Cable Retractor for FT2 ELEC Series, USB-C™ to HDMI, 18 Gbps

FT2A-CBLR-1T-AUDIO

One-Touch Cable Retractor for FT2 ELEC Series, 3.5 mm Mini-TRS Plug to 3.5 mm Mini-TRS Plug, Stereo Audio

FT2A-CBLR-1T-CAT6

One-Touch Cable Retractor for FT2 ELEC Series, RJ45 to RJ45, CAT6

FT2A-CBLR-1T-USB

One-Touch Cable Retractor for FT2 ELEC Series, USB-A to USB-A, USB 3.0

FT2A-CBLR-1T-VGA

One-Touch Cable Retractor for FT2 ELEC Series, HD15 male to HD15 male, VGA, 1080p

FT2A-CBLR-GR-4K-DP

Gravity Cable Retractor for FT2 Series, DisplayPort to DisplayPort, 18 Gbps

Rev 02/06/19

FT2A-CBLR-BRKT-202

Mid-Row Cable Retractor Adapter Bracket for FT2-202 Series

FT2A-CBLR-GR-4K-DP-HD

Gravity Cable Retractor for FT2 Series, DisplayPort to HDMI, 18 Gbps

FT2A-CBLR-GR-4K-HD

Gravity Cable Retractor for FT2 Series, HDMI to HDMI, 18 Gbps

FT2A-CBLR-GR-4K-MDP-DP

Gravity Cable Retractor for FT2 Series, Mini DisplayPort to DisplayPort, 18 Gbps

FT2A-CBLR-GR-4K-MDP-HD

Gravity Cable Retractor for FT2 Series, Mini DisplayPort to HDMI, 18 Gbps

FT2A-CBLR-GR-4K-USBC-HD

Gravity Cable Retractor for FT2 Series, USB-C to HDMI, 18 Gbps

FT2A-CBLR-GR-AUDIO

Gravity Cable Retractor for FT2 Series, 3.5 mm Mini-TRS Plug to 3.5 mm Mini-TRS Plug, Stereo Audio

FT2A-CBLR-GR-CAT6

Gravity Cable Retractor for FT2 Series, RJ45 to RJ45, CAT6

FT2A-CBLR-GR-USB

Gravity Cable Retractor for FT2 Series, USB-A to USB-A, USB 3.0

FT2A-CBLR-GR-VCA

Gravity Cable Retractor for FT2 Series, HD15 male to HD15 male, VGA, 1080p

This product may be purchased from an authorized Crestron dealer. To find a dealer, please contact the Crestron sales representative for your area. A list of sales representatives is available online at <https://www.crestron.com/How-To-Buy/Find-a-Representative> or by calling 855-263-8754.

The specific patents that cover Crestron products are listed online at patents.crestron.com.

Certain Crestron products contain open source software. For specific information, please visit www.crestron.com/opensource.

Crestron, the Crestron logo, FlipTop, and FlipTops are either trademarks or registered trademarks of Crestron Electronics, Inc. in the United States and/or other countries. HDMI is either a trademark or registered trademark of HDMI Licensing LLC in the United States and/or other countries. USB Type-C is either a trademark or registered trademark of USB Implementers Forum, Inc. in the United States and/or other countries. Other trademarks, registered trademarks, and trade names may be used in this document to refer to either the entities claiming the marks and names or their products. Crestron disclaims any proprietary interest in the marks and names of others. Crestron is not responsible for errors in typography or photography.

Specifications are subject to change without notice.

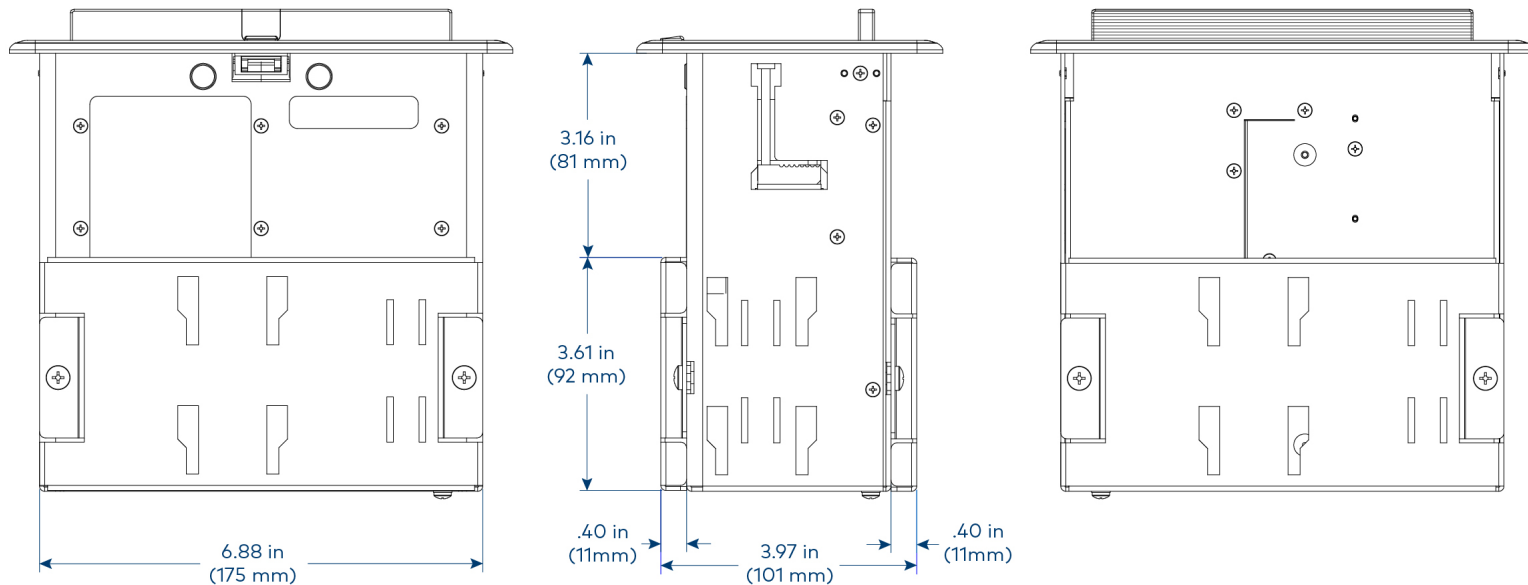
©2019 Crestron Electronics, Inc.

Rev 02/06/19

FT2A-CBLR-BRKT-202

Mid-Row Cable Retractor Adapter Bracket for FT2-202 Series

FT2-202 with two FT2A-CBLR-BRKT-202 (Front, Side, and Rear Views)



Rev 02/06/19