

Crestron GLPPA-IRGW-F  
IR Gateway for GLPP Systems, Flush Mount  
Installation Guide



**Further Inquiries**

If you cannot locate specific information or have questions after reviewing this guide, please take advantage of Crestron's award winning customer service team by calling Crestron at 1-888-CRESTRON [1-888-273-7876]. For assistance in your region, please refer to the Crestron Web site ([www.crestron.com](http://www.crestron.com)) for a listing of Crestron worldwide offices.

You can also log onto the online help section of the Crestron Web site ([www.crestron.com/onlinehelp](http://www.crestron.com/onlinehelp)) to ask questions about Crestron products. First-time users will need to establish a user account to fully benefit from all available features.

**Future Updates**

As Crestron improves functions, adds new features and extends the capabilities of the GLPPA-IRGW-F units, additional information may be made available as manual updates. These updates are solely electronic and serve as intermediary supplements prior to the release of a complete technical documentation revision.

Check the Crestron Web site periodically for manual update availability and its relevance. Updates are identified as an "Addendum" in the Download column.

**WARNING:** To avoid fire, shock, or death; turn off power at circuit breaker or fuse and test that power is off before wiring!

**NOTES:** Observe the following:

- To be installed and/or used in accordance with appropriate electrical codes and regulations.
- If you are unsure about any part of these instructions, consult a qualified electrician.

Crestron Electronics, Inc.  
15 Volvo Drive Rockleigh, NJ 07647  
Tel: 888.CRESTRON  
Fax: 201.767.7576  
[www.crestron.com](http://www.crestron.com)

Installation Guide - DOC. 7213A  
(2031433)  
11.11

Specifications subject to change without notice.

This product is Listed to applicable UL Standards and requirements by Underwriters Laboratories Inc.

**DESCRIPTION**

The GLPPA-IRGW-F IR Gateway is a 1-way infrared receiver designed for use with Crestron Green Light® Power Pack systems. Crestron Green Light Power Pack (GLPP) is a standalone room controller designed to communicate with photocells, occupancy sensors and control stations to automatically control lighting in any room. The GLPPA-IRGW-F IR Gateway facilitates the use of GLPP remotes, as well as any third-party IR remote utilizing the RC5 command set, to control the functionality of GLPP systems with ease.

The GLPPA-IRGW-F is designed to install flush into any ceiling tile or drywall surface. After installation, only the small smoked plastic lens face of the device is visible. Because of its flush mounting and small visible face, the GLPPA-IRGW-F IR Gateway can blend in with any décor.

**Specifications**

Specifications for the GLPPA-IRGW-F are listed in the following table.

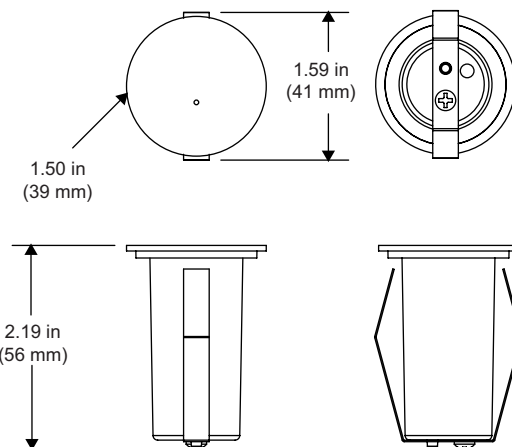
**GLPPA-IRGW-F Specifications**

SPECIFICATION	DETAILS
IR Wireless IR Frequency Formats IR Range	36-38 kHz IR Crestron® format, RC5 Up to 50 ft (~16 m) line of sight (typical), dependent upon angle, obstructions, IR interference and IR remote signal strength
Environmental Temperature Humidity	0° C to 40° C (30° F to 104° F) 10 to 90% RH (non-condensing)
Dimensions Diameter Width	1.50 in (39 mm) 2.19 in (56 mm)
Weight	0.9 oz (26 g)

**Dimensions**

The dimensions for the GLPPA-IRGW-F are shown in the following illustration.

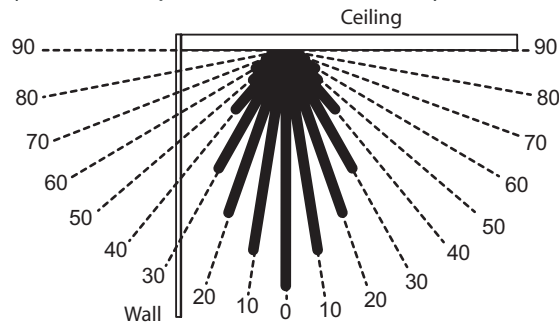
**GLPPA-IRGW-F Dimensions**



**INSTALLATION**

When choosing a location for the GLPPA-IRGW-F, consider how reception varies with the angle of incidence of the signal from the transmitter. Refer to the illustration below.

**GLPPA-IRGW-F Reception Angle**  
(Distance will depend on the remote/transmitter)



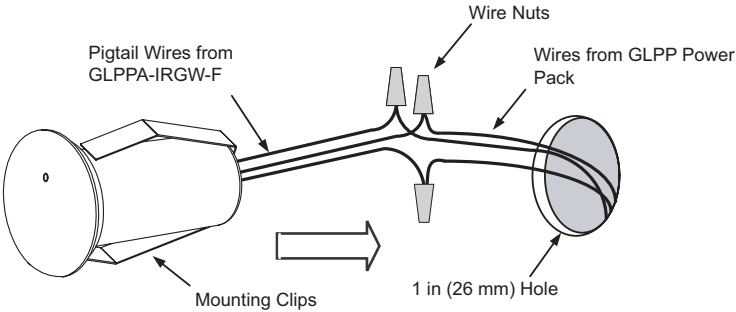
## INSTALLATION (Continued)

The following tools/hardware are required for installation of a GLPPA-IRGW-F.

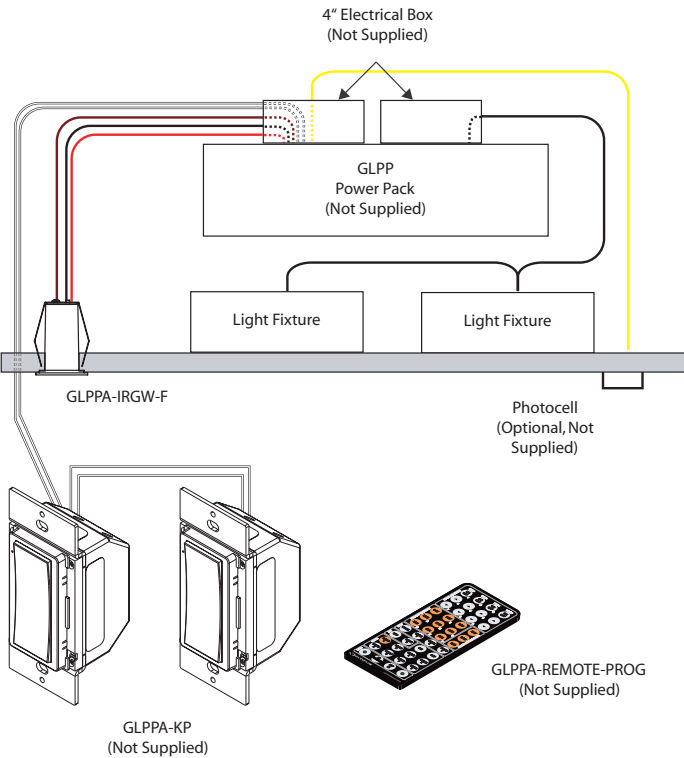
- Three wire nuts to connect to wiring (supplied).
- Drill, hole saw or other means to cut hole in wall or ceiling tile (not supplied).

After the wiring has been installed and verified, use the following procedure to install the GLPPA-IRGW-F. Refer to the illustration that follows for additional details.

1. Turn the system power off.
2. Locate an area on the wall or ceiling that is free of miscellaneous wiring and studs. Make a small hole near the center of the designated mounting location to verify that the location is suitable.
3. Drill or cut a 1 inch (26 mm) diameter circular hole in the ceiling tile at the desired location.
4. Use the supplied wire nuts to connect the wires (brown to brown, red to red and black to black) to the GLPPA-IRGW-F pigtail wires.
5. Press the GLPPA-IRGW-F into the hole; the mounting clips on either side of the GLPPA-IRGW-F hold it in place.



## TYPICAL APPLICATION DIAGRAM



## TROUBLESHOOTING

TROUBLE	POSSIBLE CAUSE(S)	CORRECTIVE ACTION
Device does not function.	Device is not communicating with the GLPP.	Verify connection to the device.
	Device is not receiving sufficient power.	Verify connection to GLPP.
Intermittent response when remote is transmitting.	Obstruction blocking communication path.	Remove large obstructions in communication path.

## Return and Warranty Policies

### Merchandise Returns / Repair Service

1. No merchandise may be returned for credit, exchange or service without prior authorization from CRESTRON. To obtain warranty service for CRESTRON products, contact an authorized CRESTRON dealer. Only authorized CRESTRON dealers may contact the factory and request an RMA (Return Merchandise Authorization) number. Enclose a note specifying the nature of the problem, name and phone number of contact person, RMA number and return address.
2. Products may be returned for credit, exchange or service with a CRESTRON Return Merchandise Authorization (RMA) number. Authorized returns must be shipped freight prepaid to CRESTRON, 6 Volvo Drive, Rockleigh, N.J. or its authorized subsidiaries, with RMA number clearly marked on the outside of all cartons. Shipments arriving freight collect or without an RMA number shall be subject to refusal. CRESTRON reserves the right in its sole and absolute discretion to charge a 15% restocking fee plus shipping costs on any products returned with an RMA.
3. Return freight charges following repair of items under warranty shall be paid by CRESTRON, shipping by standard ground carrier. In the event repairs are found to be non-warranty, return freight costs shall be paid by the purchaser.

### CRESTRON Limited Warranty

CRESTRON ELECTRONICS, Inc. warrants its products to be free from manufacturing defects in materials and workmanship under normal use for a period of three (3) years from the date of purchase from CRESTRON, with the following exceptions: disk drives and any other moving or rotating mechanical parts, pan/tilt heads and power supplies are covered for a period of one (1) year; touch screen display and overlay components are covered for 90 days; batteries and incandescent lamps are not covered.

This warranty extends to products purchased directly from CRESTRON or an authorized CRESTRON dealer. Purchasers should inquire of the dealer regarding the nature and extent of the dealer's warranty, if any.

CRESTRON shall not be liable to honor the terms of this warranty if the product has been used in any application other than that for which it was intended or if it has been subjected to misuse, accidental damage, modification or improper installation procedures. Furthermore, this warranty does not cover any product that has had the serial number altered, defaced or removed.

This warranty shall be the sole and exclusive remedy to the original purchaser. In no event shall CRESTRON be liable for incidental or consequential damages of any kind (property or economic damages inclusive) arising from the sale or use of this equipment. CRESTRON is not liable for any claim made by a third party or made by the purchaser for a third party.

CRESTRON shall, at its option, repair or replace any product found defective, without charge for parts or labor. Repaired or replaced equipment and parts supplied under this warranty shall be covered only by the unexpired portion of the warranty.

Except as expressly set forth in this warranty, CRESTRON makes no other warranties, expressed or implied, nor authorizes any other party to offer any warranty, including any implied warranties of merchantability or fitness for a particular purpose. Any implied warranties that may be imposed by law are limited to the terms of this limited warranty. This warranty statement supersedes all previous warranties.

Crestron, the Crestron Logo and Crestron Green Light are trademarks or registered trademarks of Crestron Electronics, Inc. in the United States and other countries. UL and the UL logo, are either trademarks or registered trademarks of Underwriters Laboratories, Inc. in the United States and/or other countries. Other trademarks, registered trademarks and trade names may be used in this document to refer to either the entities claiming the marks and names or their products. Crestron disclaims any proprietary interest in the marks and names of others.

©2011 Crestron Electronics, Inc.