

## DigitalMedia 8G+® Transmitter 201

The Crestron® [DM-TX-201-C](#) provides a versatile interface for computers and high-definition AV sources as part of a complete Crestron DigitalMedia™ system. It functions as a DM 8G+® transmitter and switcher, providing HDMI®, VGA, and analog audio inputs along with Ethernet and USB HID ports for a total connectivity solution.



### In the Box

- 1 DM-TX-201-C, DigitalMedia 8G+® Transmitter 201

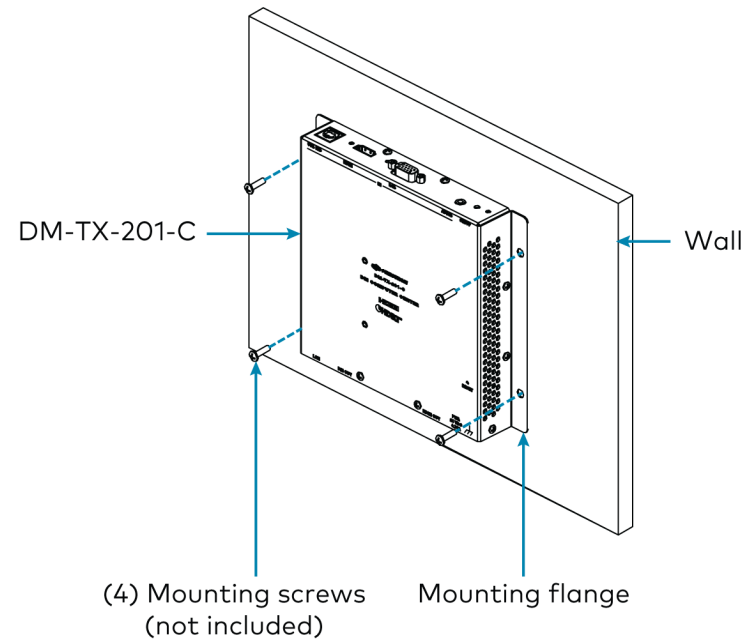


## Install the Transmitter

The DM-TX-201-C can be mounted onto a flat surface or onto a rack rail.

### Mount onto a Flat Surface

Using four mounting screws (not included), mount the device onto a flat surface such as a wall or a ceiling.

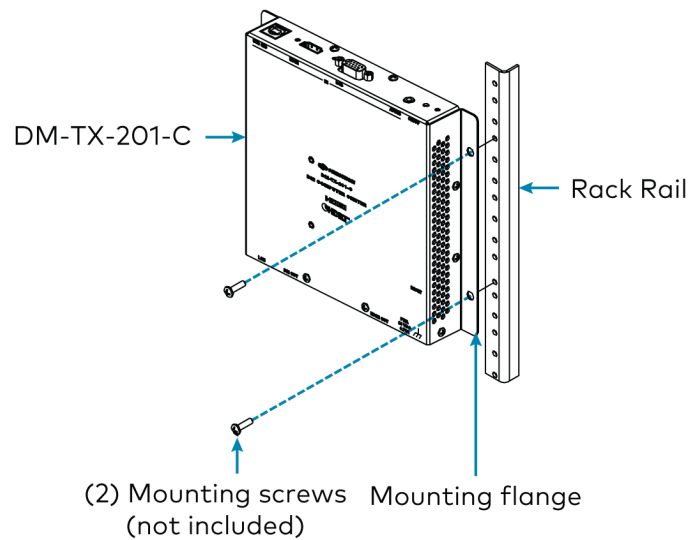


## DigitalMedia 8G+® Transmitter 201

## Mount onto a Rack Rail

The DM-TX-201-C can be mounted onto a front or rear rack rail. To mount the device:

1. Position either of the mounting flanges so that the holes align with the holes in the rack rail.
2. Secure the device to the rack rail using two rack mount screws (not included).



## Connect the Transmitter

Connect the device as required for the application.

**NOTE:** The DM OUT port is a PoDM (Power over DM) powered device (PD) port and is also compatible with HDBaseT® PoE.

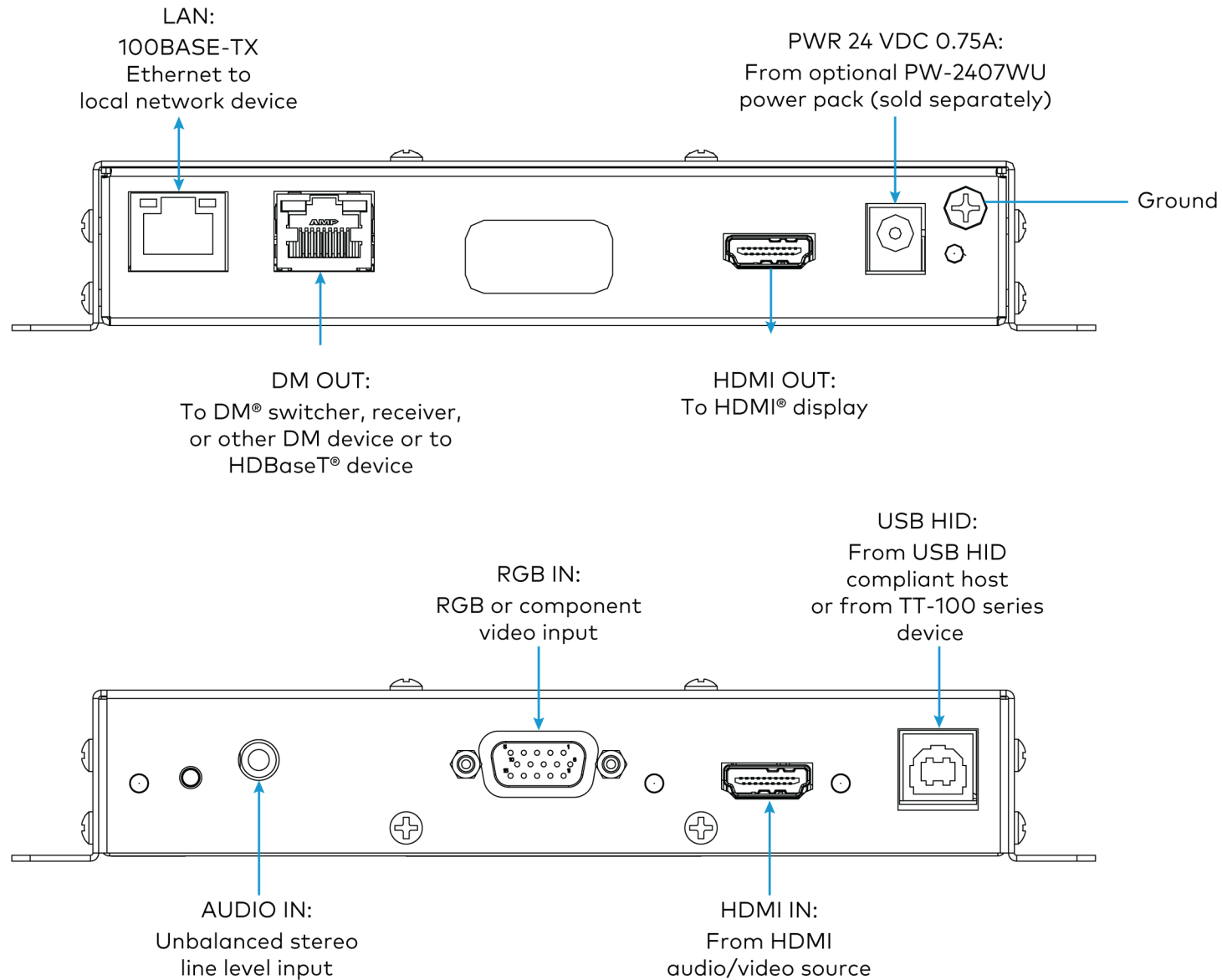
- In order for the port to receive PoDM, the port requires connection to a DigitalMedia™ switcher or other DigitalMedia equipment that has a corresponding PoDM power sourcing equipment (PSE) port.
- In order for the port to receive HDBaseT PoE, the port requires connection to equipment that has a corresponding HDBaseT PoE PSE port.

Wiring that is connected to a PoDM or HDBaseT PoE PSE port is for intrabuilding use only.

PoDM, HDBaseT PoE, or the optional [PW-2407WU](#) power pack (sold separately) can be used to power the device.

## DigitalMedia 8G+® Transmitter 201

### Front and Rear Panel Connections



## DigitalMedia 8G+® Transmitter 201



### Upgrade the Firmware

Before using the device, upgrade the firmware. The latest firmware can be downloaded from the [DM-TX-201-C](#) product page on the Crestron website ([www.crestron.com](http://www.crestron.com)).



### Determine the IP Address

The physical configuration of the DM-TX-201-C within a DigitalMedia 8G+ system determines how the IP address of the transmitter is set:

- If the transmitter is connected to a DigitalMedia switcher, the IP address is configured by the switcher automatically. You do not need to set the IP address.
- If the transmitter is connected directly to a DigitalMedia 8G+ receiver (commonly referred to as a standalone configuration in which no DigitalMedia switcher is used), the IP address of the transmitter is assigned using DHCP (Dynamic Host Configuration Protocol) by default. If you wish to assign a static IP address, do either of the following:
  - To assign the default static IP address of the transmitter, hold down the **SETUP** button while the unit boots up. The default static IP address, which is 192.168.1.236, overwrites the current setting.
  - To manually set a static IP address other than the default address, use the Crestron Toolbox™ software.

## DigitalMedia 8G+® Transmitter 201



### Visit the Product Page

Scan the QR code to visit the product page.

DM-TX-201-C



[www.crestron.com/model/6503838](http://www.crestron.com/model/6503838)

### Additional Information

#### Original Instructions

The U.S. English version of this document is the original instructions. All other languages are a translation of the original instructions.

Crestron product development software is licensed to Crestron dealers and Crestron Service Providers (CSPs) under a limited nonexclusive, nontransferable Software Development Tools License Agreement. Crestron product operating system software is licensed to Crestron dealers, CSPs, and end-users under a separate End-User License Agreement. Both of these Agreements can be found on the Crestron website at [www.crestron.com/legal/software\\_license\\_agreement](http://www.crestron.com/legal/software_license_agreement).

The product warranty can be found at [www.crestron.com/warranty](http://www.crestron.com/warranty).

The specific patents that cover Crestron products are listed at [www.crestron.com/legal/patents](http://www.crestron.com/legal/patents).

Certain Crestron products contain open source software. For specific information, visit [www.crestron.com/opensource](http://www.crestron.com/opensource).

Doc. 7719C

04/15/20