



Introduction

The Crestron® PLMK-IFE-101 and PLMK-IFE-102 pole mount kits are designed to support Integrator Friendly Enclosure (IFE) devices. Micro and small IFE devices should use the PLMK-IFE-101 while all other IFE devices should use the PLMK-IFE-102. Devices are mounted to a pole with an outside diameter of 1-3/8 to 1-7/8 inches (36 to 48 mm). The simple-to-use hardware permits mounting close to a connected device, which allows for shorter cable runs and easy access.

NOTE: Although some parts are differently sized, the PLMK-IFE-101 and PLMK-IFE-102 use the same procedure for assembly.

Additional Resources

Visit the product page on the Crestron website (www.crestron.com) for additional information. Use a QR reader application on your mobile device to scan the QR image.



Installation

Supplied Components

DESCRIPTION	COLOR	PART NUMBER	QUANTITY
Bracket, Pole with Standoffs		2038545	1
Bracket, Pole		2009784	1
Screw, 06-32 x 3/4", Pan Head, Phillips	Black	2007246	4
Screw, 06-32 x 3/8", Pan Head, Phillips	Black	2007225	4
Screw, 1/4"-20, 1-1/2", Socket Head	Black	2009932	2
Washer, Flat, 0.5" OD, 0.281" ID, 0.033" TH		2009915	2
For PLMK-IFE-101			
Bracket, Mounting, 4.1" X 2.58" X 2"		2038546	1
For PLMK-IFE-102			
Bracket, Mounting, 5.1" x 2.58" x 2"		2043300	1

Required Tools

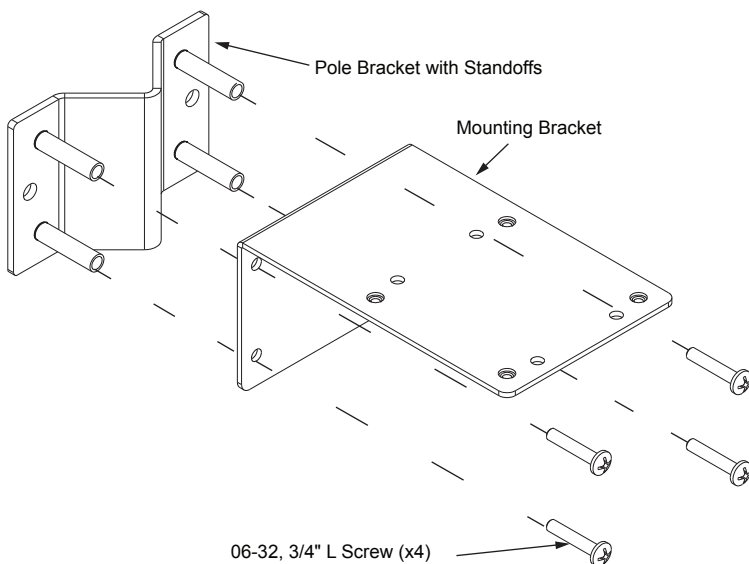
- #1 Phillips screwdriver
- 3/16" hex key

Assembly

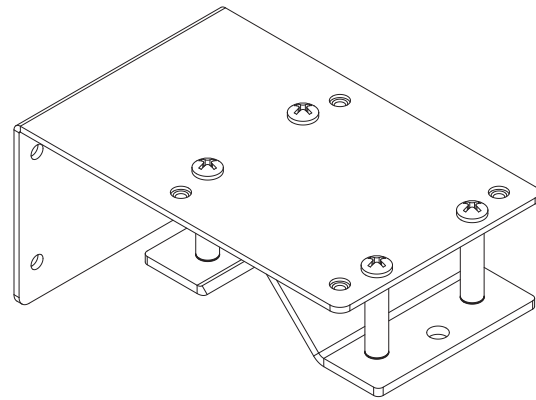
1. Create the pole bracket assembly. Use a screwdriver and the included 3/4" screws to attach the mounting bracket to the pole bracket with standoffs. For details, refer to the following diagrams.

NOTE: The pole bracket with standoffs can be attached to either the long side or the short side of the mounting bracket.

Create the Pole Bracket Assembly
(Pole Bracket with Standoffs Attached to the Short Side of the Mounting Bracket)

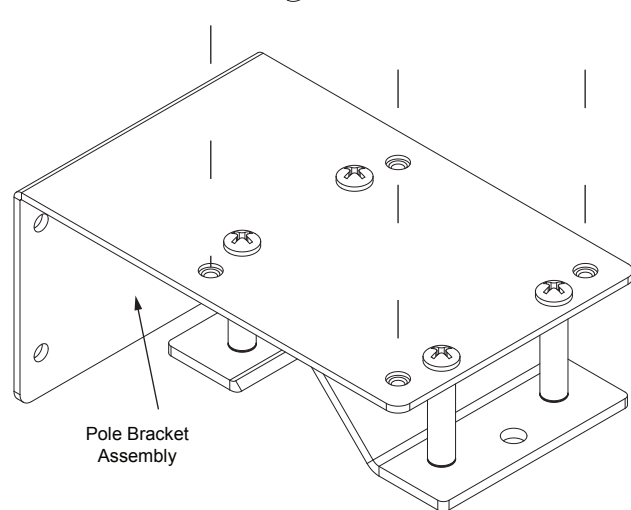
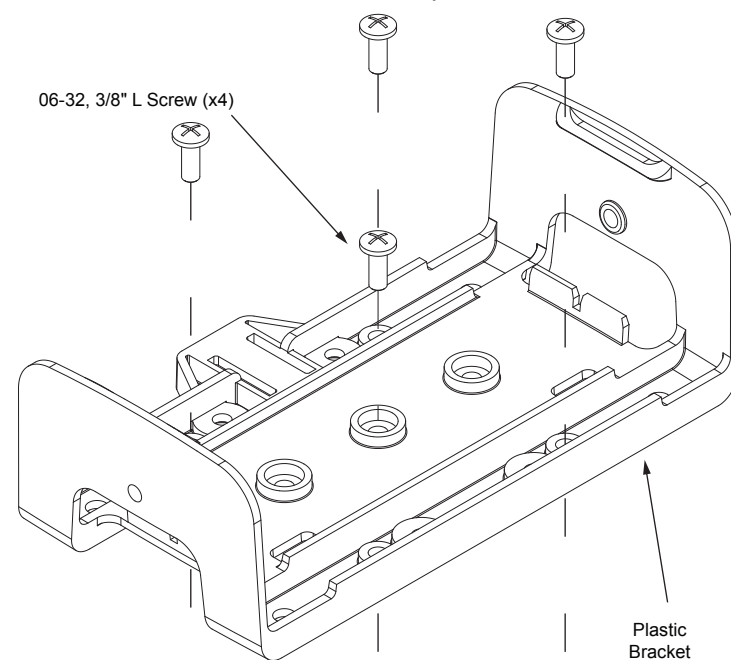


Completed Pole Bracket Assembly
(Pole Bracket with Standoffs Attached to the Long Side of the Mounting Bracket)

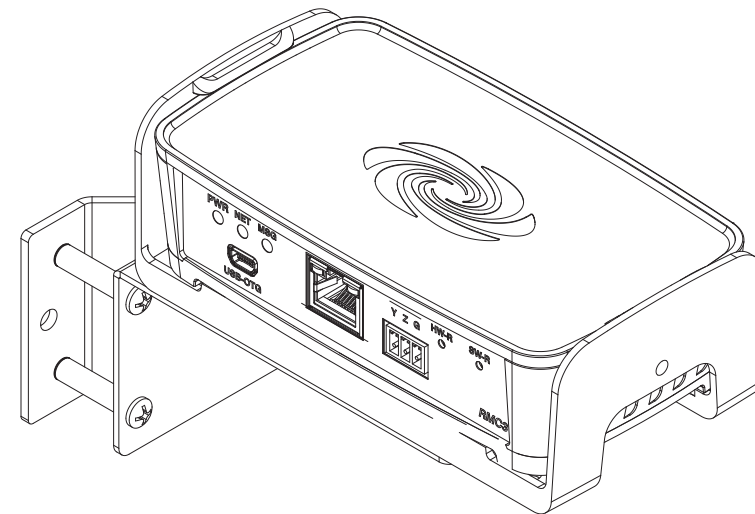
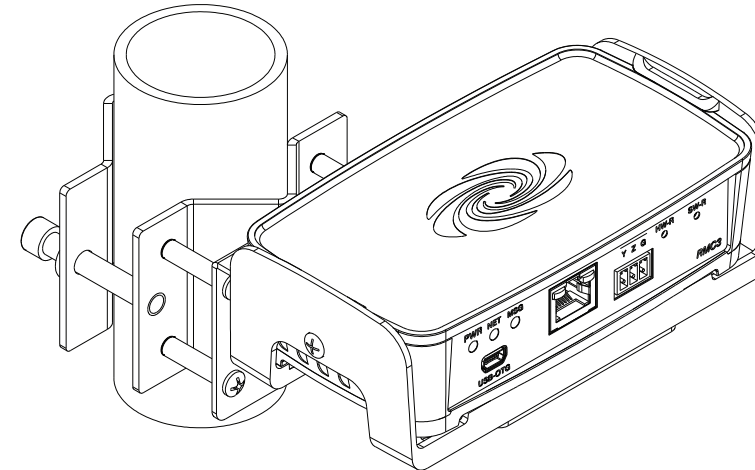


2. Use a screwdriver and the included 3/8" screws to attach the plastic bracket (included with the device) to the pole bracket assembly that was created in step 1. The plastic bracket can be mounted perpendicular or parallel to the pole bracket assembly. Refer to the following diagram for details.

Attach the Plastic Bracket to the Pole Bracket Assembly.

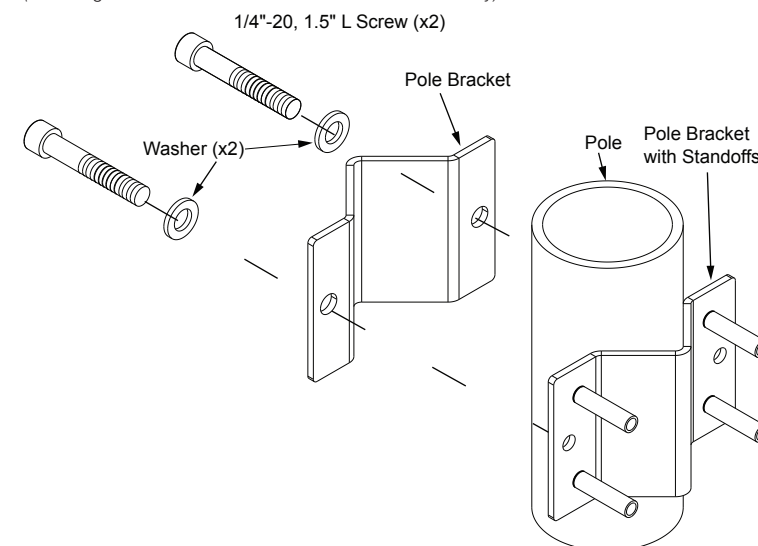


Perpendicular Mounting (Top) and Parallel Mounting (Bottom)

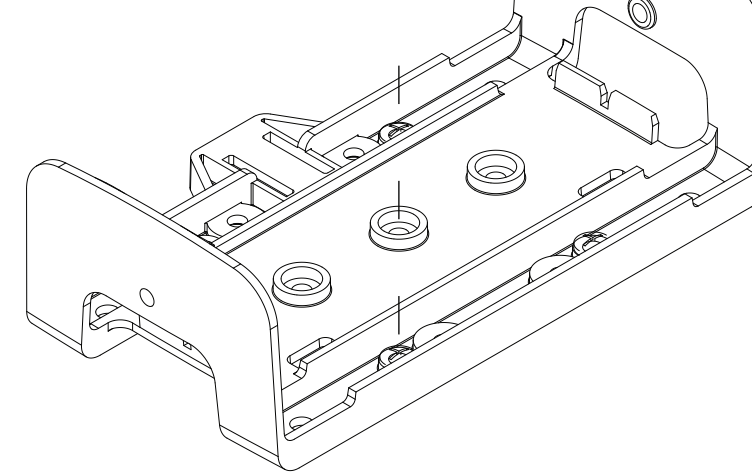
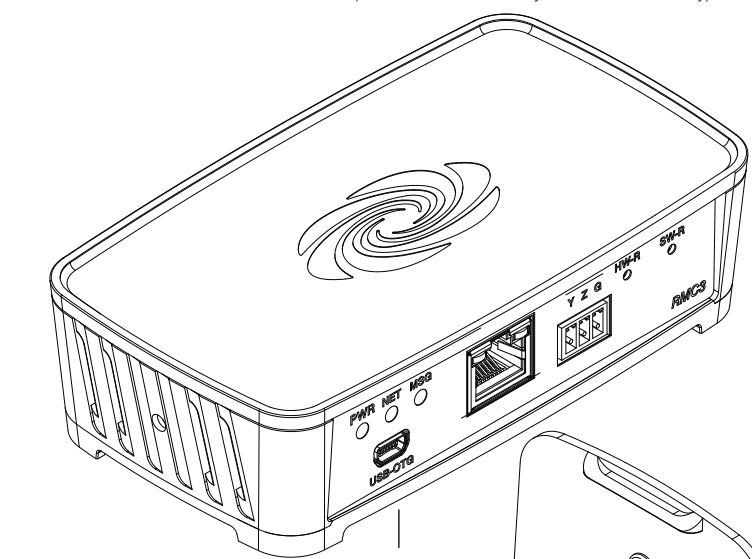


3. Use a 3/16" hex key, the included washers, and the included 1/4"-20, 1.5" L screws to attach the pole bracket and the pole bracket assembly to a pole, as shown in the following diagram.

Attach the Pole Bracket and Pole Bracket Assembly to the Pole.
(Mounting Bracket and Plastic Bracket Removed for Clarity)

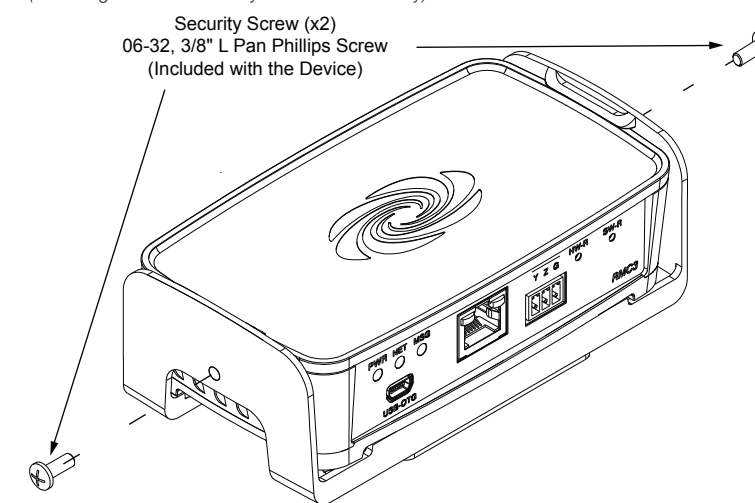


4. Snap the device into the plastic bracket as shown in the following diagram. Attach the Device to the Plastic Bracket. (Pole Bracket Assembly Removed for Clarity)



5. Use a screwdriver and the security screws included with the device to secure the device into the plastic bracket.

Secure the Device into the Plastic Bracket.
(Mounting Bracket Assembly Removed for Clarity)



The product warranty can be found at www.crestron.com/warranty.

The specific patents that cover Crestron products are listed at patents.crestron.com.

Certain Crestron products contain open source software. For specific information, please visit www.crestron.com/opensource.

Crestron and the Crestron logo are either trademarks or registered trademarks of Crestron Electronics, Inc. in the United States and/or other countries. Other trademarks, registered trademarks, and trade names may be used in this document to refer to either the entities claiming the marks and names or their products. Crestron disclaims any proprietary interest in the marks and names of others. Crestron is not responsible for errors in typography or photography.

This document was written by the Technical Publications department at Crestron.

©2015 Crestron Electronics, Inc.

Crestron Electronics, Inc.
15 Volvo Drive Rockleigh, NJ 07647
Tel: 888.CRESTRON
Fax: 201.767.7576
www.crestron.com

Installation & Operation Guide - DOC. 7615C
(2039298)

08.15

Specifications subject to
change without notice.