

# Crestron **FT-PWR-B & FT-PWR-BALUM**

FlipTop Power Center

---

Operations & Installation Guide



This document was prepared and written by the Technical Documentation department at:



Crestron Electronics, Inc.

15 Volvo Drive

Rockleigh, NJ 07647

1-888-CRESTRON

# Contents

<b>FlipTop Power Center: FT-PWR-B &amp; FT-PWR-BALUM</b>	<b>1</b>
Introduction .....	1
Features and Functions .....	1
Applications.....	1
Specifications .....	2
Physical Description.....	2
Industry Compliance .....	6
Setup.....	7
Installation.....	7
Hardware Hookup .....	11
Operation .....	12
Problem Solving .....	13
Troubleshooting.....	13
Further Inquiries .....	13
Future Updates .....	13
Return and Warranty Policies.....	14
Merchandise Returns / Repair Service .....	14
CRESTRON Limited Warranty.....	14



# FlipTop Power Center: FT-PWR-B & FT-PWR-BALUM

---

## Introduction

### Features and Functions

- Stylish, flush mount in tabletop surface
- Easy pullout universal cable management
- Eight, grommeted holes for smooth passage of virtually any type of AV, communication, control or data cables
- AC power receptacle in FlipTop compartment
- Available in black anodized (FT-PWR-B) or brushed aluminum (FT-PWR-BALUM)

### Applications

The FT-PWR-B and FT-PWR-BALUM provide an elegant connectivity solution in a stylish flush mount tabletop package. Beneath the "FlipTop" lid, the cable storage compartment keeps installed interface cables (not included) at the ready for plugging in computers, AV sources, communication, control, or data cable. When not in use, the user end of each cable stows neatly within the FlipTop compartment while excess cable simply drops out-of-sight below the box.

## Specifications

Specifications for the FT-PWR-B and FT-PWR-BALUM are listed in the following table.

### *FT-PWR-B and FT-PWR-BALUM Specifications*

SPECIFICATION	DETAILS
Environmental Temperature Humidity	41° to 104°F (5° to 40°C) 10% to 90% RH (non-condensing)
Enclosure	Black painted metal with black anodized or brushed aluminum cover; flush tabletop mountable
Dimensions	Height: 5.33 in (13.54 cm) with lid closed Width: 6.75 in (17.15 cm) Depth: 5.71 in (14.50 cm)
Weight	3.75 lbs (1.7 kg) approximate

## Physical Description

This section provides information on the connections, controls, and indicators available on your FT-PWR-B and FT-PWR-BALUM.

### *FT-PWR-B and FT-PWR-BALUM Physical View*

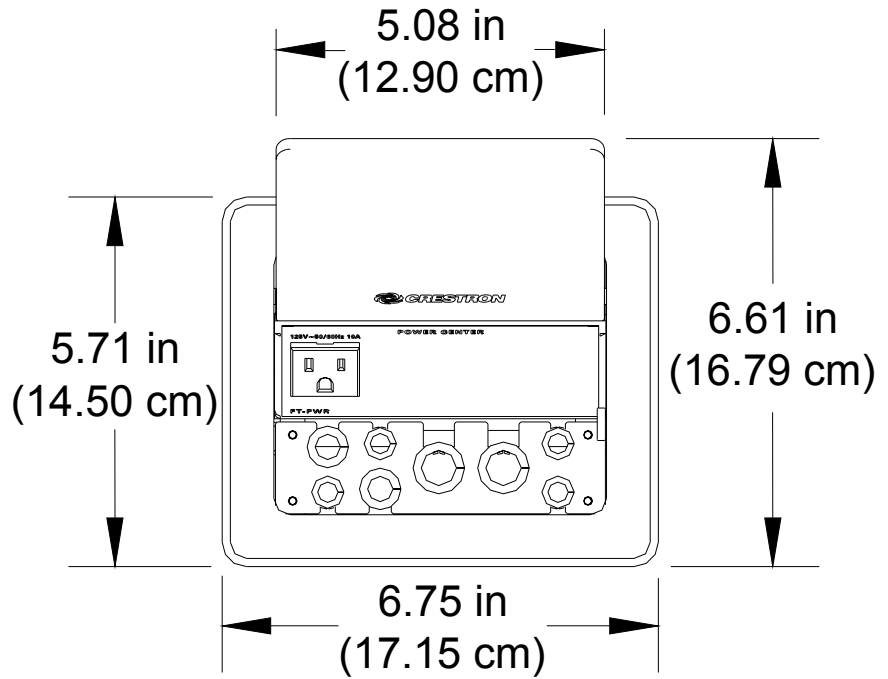



---

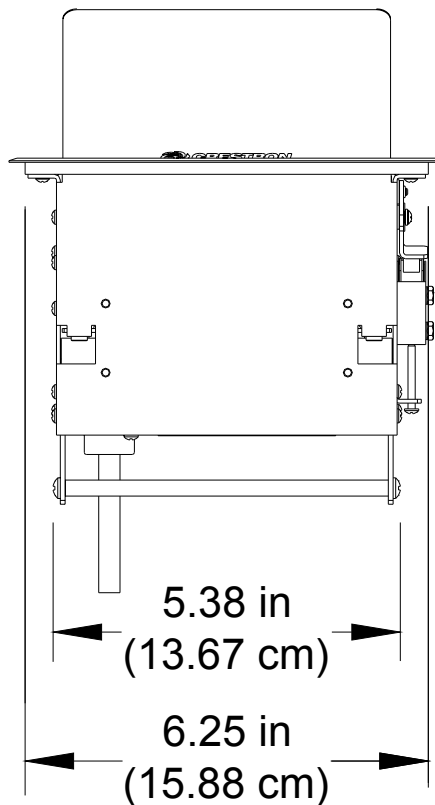
**NOTE:** Cables not included.

---

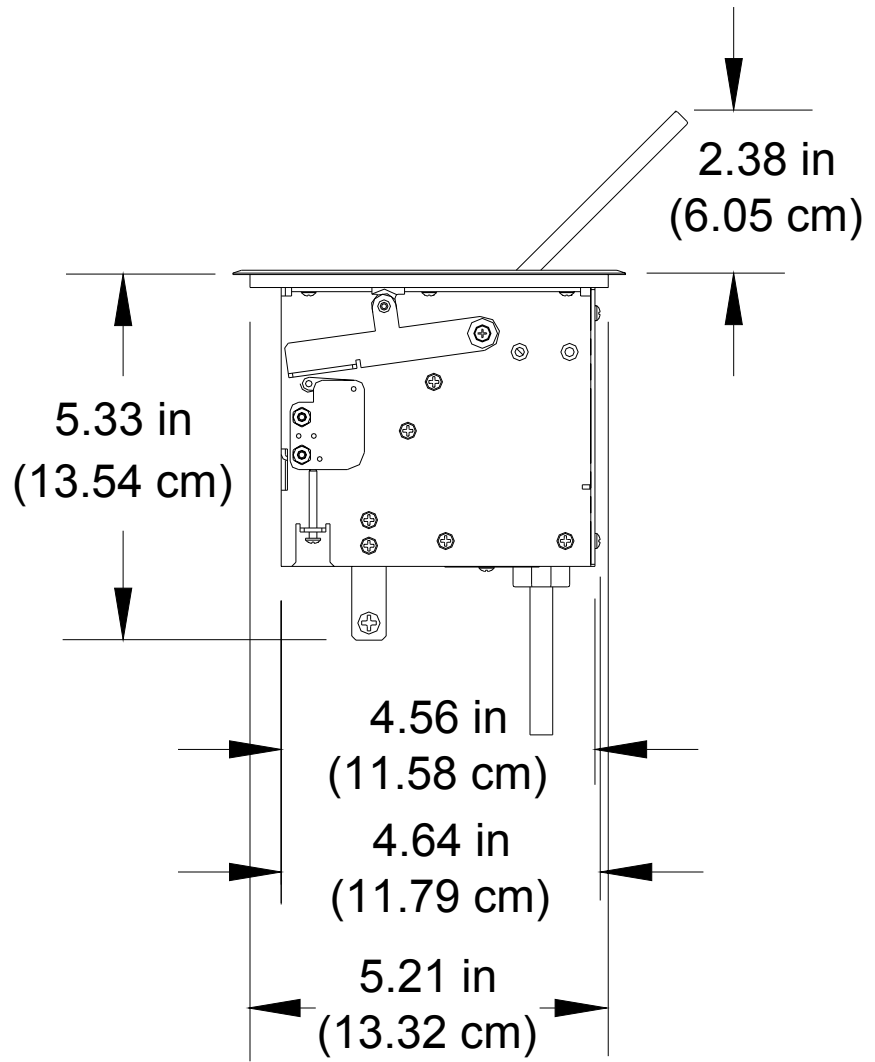
*FT-PWR-B and FT-PWR-BALUM Overall Dimensions – Top View*



*FT-PWR-B and FT-PWR-BALUM Overall Dimensions – Front View*

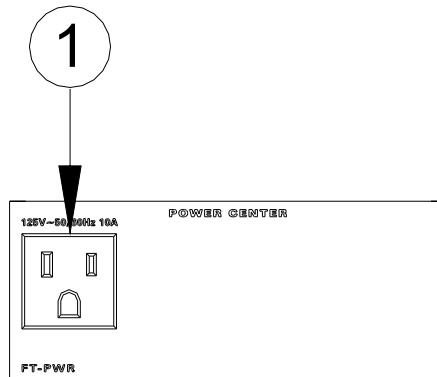


*FT-PWR-B and FT-PWR-BALUM Overall Dimensions – Side View*

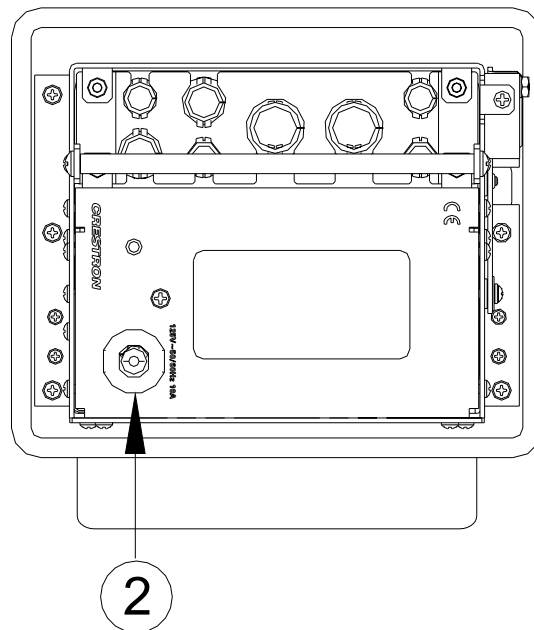




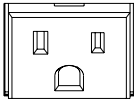
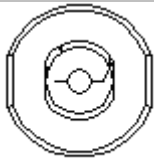
*FT-PWR-B and FT-PWR-BALUM Front Face View*



*FT-PWR-B and FT-PWR-BALUM Bottom View*



*Connectors, Controls, & Indicators*

#	CONNECTORS, CONTROLS, & INDICATORS	DESCRIPTION
1		120 VAC, 50 – 60 Hz., 10 amperes Maximum Load. This 3-prong grounded AC input socket is connected to a line cord located on the bottom side.
2		This is a grounded AC line cord. 125 VAC at 60 Hz. Connect the six-foot (183 cm) grounded AC line cord to supply AC power to the outlet on the topside of the FT-PWR-B and FT-PWR-BALUM.

## Industry Compliance

As of the date of manufacture, the FT-PWR-B and FT-PWR-BALUM have been tested and found to comply with specifications for CE marking and standards per EMC and Radiocommunications Compliance Labelling.



---

**NOTE:** This device complies with part 15 of the FCC rules. Operation is subject to the following two conditions: (1) this device may not cause harmful interference, and (2) this device must accept any interference received, including interference that may cause undesired operation.

This equipment has been tested and found to comply with the limits for a Class B digital device, pursuant to part 15 of the FCC Rules. These limits are designed to provide reasonable protection against harmful interference in a residential installation. This equipment generates, uses and can radiate radio frequency energy and, if not installed and used in accordance with the instructions, may cause harmful interference to radio communications. However, there is no guarantee that interference will not occur in a particular installation. If this equipment does cause harmful interference to radio or television reception, which can be determined by turning the equipment off and on, the user is encouraged to try to correct the interference by one or more of the following measures:

- Reorient or relocate the receiving antenna.
  - Increase the separation between the equipment and receiver.
  - Connect the equipment into an outlet on a circuit different from that to which the receiver is connected.
  - Consult the dealer or an experienced radio/TV technician for help.
-

## Setup

### Installation

There are two steps to installing the FT-PWR-B and FT-PWR-BALUM.

#### Cable Management Kit

The FT-PWR-B and FT-PWR-BALUM are shipped with a separate cable management kit for organizing cables fed into the power center.

Tools required

- Phillips screwdriver
- Appropriate carpentry tools for cutout

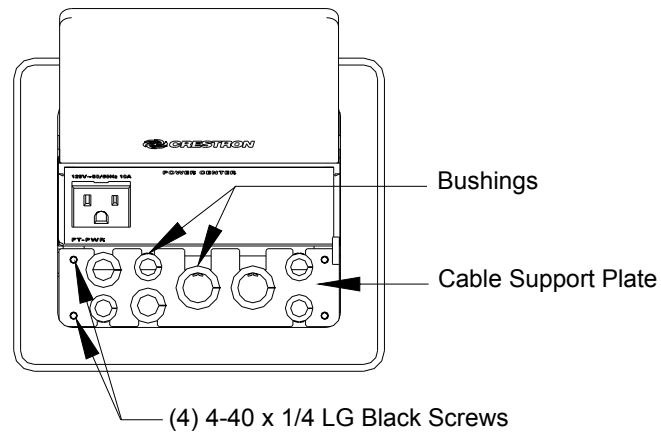
#### Parts Supplied for Cable Management Kit

PART DESCRIPTION	QUANTITY
Cable Support Plate	1
Bushing 0.55 inch (1.40cm) ID, 0.80 inch (2.03 cm) OD	2
Bushing 0.39 inch (0.99 cm) ID, 0.64 inch (1.63 cm) OD	2
Bushing 0.31 inch (0.79 cm) ID, 0.50 inch (1.27 cm) OD	4
Screw 04-40, 0.25 inch (0.64 cm) L	4

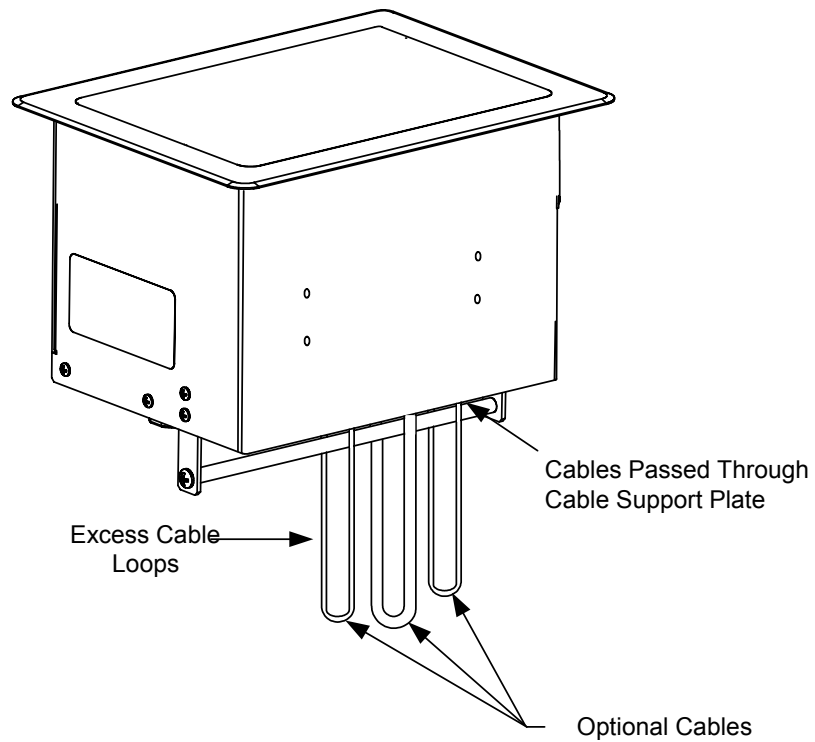
The cable support plate should be installed before mounting the FT-PWR-B or FT-PWR-BALUM to a surface. The cables are looped through the cable support plate.

1. Place bushings on the cables you wish to install in the power center (eight bushings supplied). Use bushings appropriate to the diameter of each cable.
2. Thread the cables through the cable support plate slots appropriate to the size of the cable and the bushing you attached in the previous step.
3. Snap the bushings into the slots on the cable support plate.
4. Feed all excess cable through the opening.
5. Attach the cable support plate using the four 4-40 x ¼ LG screws.
6. If desired, any installed cables can be secured to the bottom bar with tie wraps (not supplied).

*Cable Plate Installation*



*Cables Loops Through the Cable Support Plate*




---

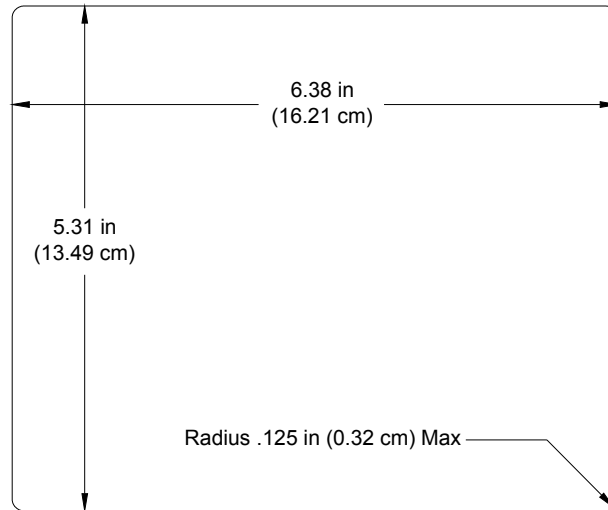
**NOTE:** Ensure that any cables you install have sufficient clearance to enable smooth movement.

---

**Mounting to Surface**

The FT-PWR-B and FT-PWR-BALUM are designed to mount in a horizontal surface, such as a desk top, lectern, or podium. The following diagram illustrates the required opening size to accommodate the FT-PWR-B and FT-PWR-BALUM. Use the supplied template to make the cutout.

*Cutout Dimensions for FT-PWR-B and FT-PWR-BALUM*




---

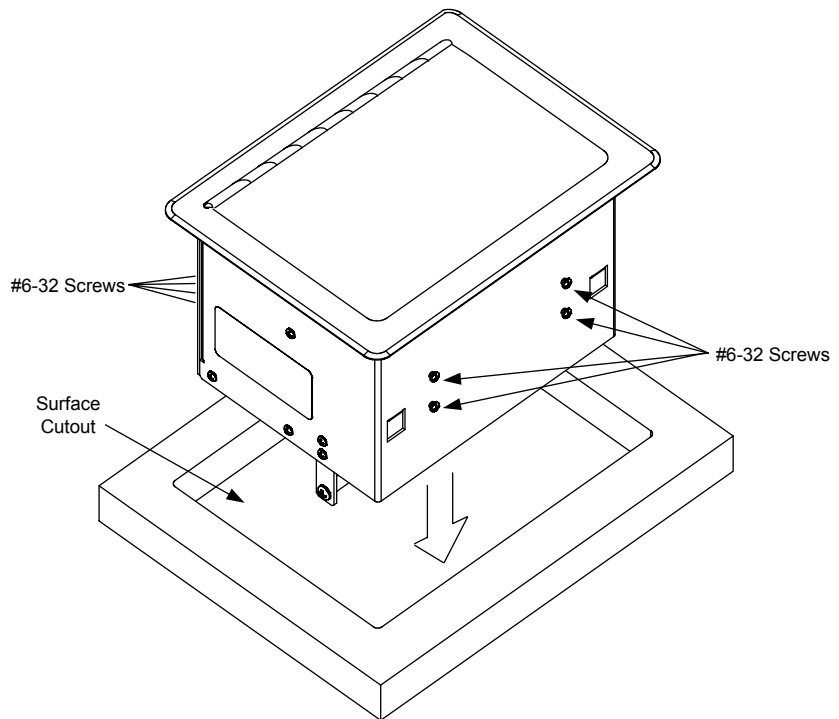
**NOTE:** Be sure to feed the attached power cord through the mounting hole before inserting the FT-PWR-B or FT-PWR-BALUM.

---

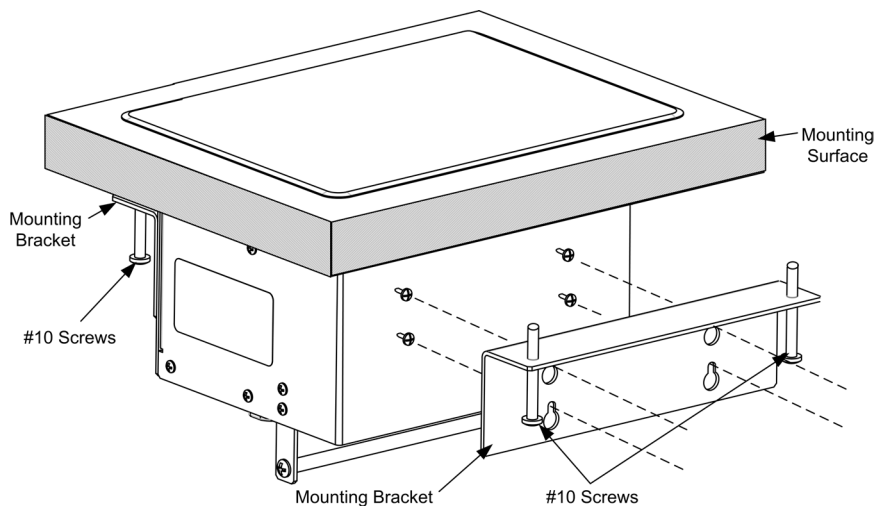
*Mounting Parts Supplied*

PART DESCRIPTION	QUANTITY
Screw #6-32, 3/16" L, Pan Head, Phillips	8
Screw #10-32, 2" L, Pan Head, Phillips	4
Mounting Bracket	2

1. Install the eight supplied #6-32 screws, but do not tighten (four on the front side and four on the rear side). These will be used to secure the front and rear mounting brackets.
2. Position the FT-PWR-B or FT-PWR-BALUM in the mounting hole.

*Mounting Bracket Screw Locations*

3. Thread a small portion of the two-inch long #10-32 screws into the mounting brackets (two screws per bracket). Refer to the following diagram.
4. Slide the mounting brackets over the #6-32 screws and tighten the #6-32 screws.

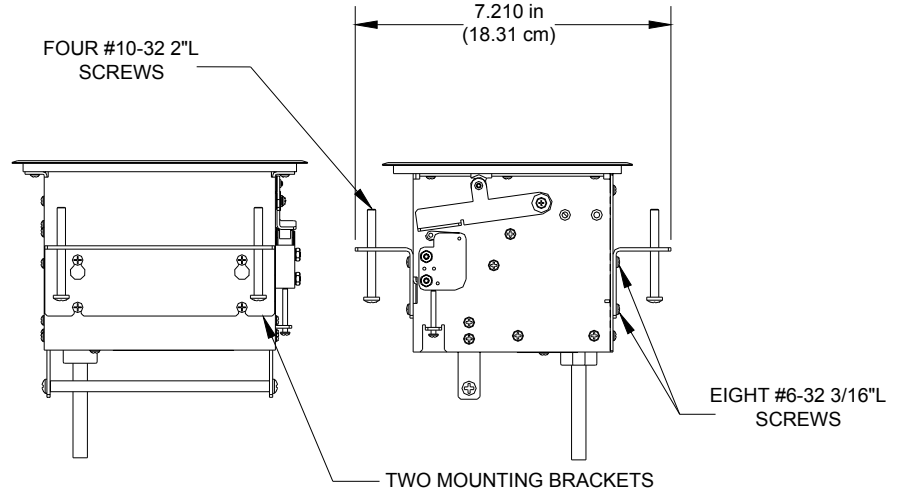
*Mounting Bracket Installation*

5. Turn the four #10 screws equally until they contact the underside of the mounting surface enough to secure the unit. **DO NOT OVER TIGHTEN.**

---

**CAUTION:** Do not over-tighten the #10 screws as this may damage the surface and/or the unit.

---

*Mounting Brackets Installed*

## Hardware Hookup

Hookup consists of simply plugging the line cord into an appropriate outlet.

---

**NOTE:** To prevent overheating, do not operate this product in an area that exceeds the environmental temperature range listed in the specifications table. Consideration must be given if installed inside a closed desk or in a closed podium since the operating ambient temperature of these environments may be greater than the room ambient. Contact with thermal insulating materials should be avoided on all sides of the unit.

**NOTE:** The maximum continuous current from equipment under any external load conditions shall not exceed a current limit that is suitable for the minimum wire gauge used in interconnecting cables. The ratings on the connecting unit's supply input should be considered to prevent overloading the wiring.

---

## Operation

The spring-loaded lid is opened by pressing briefly and releasing it. Cables are stored neatly beneath the lid when not in use to keep out debris and dust. The lid opens 135 degrees, allowing full access to cables and power inside.

Beneath the lid, a recessed compartment with eight grommets holes through the bottom plate allows any type of AV, communication, data or control cables to be instantly available for connection to your devices. The recessed compartment also contains a three-pronged, grounded AC socket.



---

## Problem Solving

### Troubleshooting

The following table provides corrective action for possible trouble situations. If further assistance is required, please contact a Crestron customer service representative.

#### *FT-PWR-B and FT-PWR-BALUM Troubleshooting*

TROUBLE	POSSIBLE CAUSE(S)	CORRECTIVE ACTION
Device connected to the AC socket is not working.	Lack of, or insufficient power to, AC socket.	Provide appropriate power to the line cord.

### Further Inquiries

If you cannot locate specific information or have questions after reviewing this guide, please take advantage of Crestron's award winning customer service team by calling the Crestron corporate headquarters at 1-888-CRESTRON [1-888-273-7876]. For assistance in your local time zone, refer to the Crestron website (<http://www.crestron.com/>) for a listing of Crestron worldwide offices.

You can also log onto the online help section of the Crestron website to ask questions about Crestron products. First-time users will need to establish a user account to fully benefit from all available features.

### Future Updates

As Crestron improves functions, adds new features, and extends the capabilities of the FT-PWR-B and FT-PWR-BALUM, additional information may be made available as manual updates. These updates are solely electronic and serve as intermediary supplements prior to the release of a complete technical documentation revision.

Check the Crestron website periodically for manual update availability and its relevance. Updates are identified as an “Addendum” in the Download column.

---

## Return and Warranty Policies

### Merchandise Returns / Repair Service

1. No merchandise may be returned for credit, exchange, or service without prior authorization from CRESTRON. To obtain warranty service for CRESTRON products, contact an authorized CRESTRON dealer. Only authorized CRESTRON dealers may contact the factory and request an RMA (Return Merchandise Authorization) number. Enclose a note specifying the nature of the problem, name and phone number of contact person, RMA number, and return address.
2. Products may be returned for credit, exchange, or service with a CRESTRON Return Merchandise Authorization (RMA) number. Authorized returns must be shipped freight prepaid to CRESTRON, 6 Volvo Drive, Rockleigh, N.J. or its authorized subsidiaries, with RMA number clearly marked on the outside of all cartons. Shipments arriving freight collect or without an RMA number shall be subject to refusal. CRESTRON reserves the right in its sole and absolute discretion to charge a 15% restocking fee, plus shipping costs, on any products returned with an RMA.
3. Return freight charges following repair of items under warranty shall be paid by CRESTRON, shipping by standard ground carrier. In the event repairs are found to be non-warranty, return freight costs shall be paid by the purchaser.

### CRESTRON Limited Warranty

CRESTRON ELECTRONICS, Inc. warrants its products to be free from manufacturing defects in materials and workmanship under normal use for a period of three (3) years from the date of purchase from CRESTRON, with the following exceptions: disk drives and any other moving or rotating mechanical parts, pan/tilt heads and power supplies are covered for a period of one (1) year; touchscreen display and overlay components are covered for 90 days; batteries and incandescent lamps are not covered.

This warranty extends to products purchased directly from CRESTRON or an authorized CRESTRON dealer. Purchasers should inquire of the dealer regarding the nature and extent of the dealer's warranty, if any.

CRESTRON shall not be liable to honor the terms of this warranty if the product has been used in any application other than that for which it was intended, or if it has been subjected to misuse, accidental damage, modification, or improper installation procedures. Furthermore, this warranty does not cover any product that has had the serial number altered, defaced, or removed.

This warranty shall be the sole and exclusive remedy to the original purchaser. In no event shall CRESTRON be liable for incidental or consequential damages of any kind (property or economic damages inclusive) arising from the sale or use of this equipment. CRESTRON is not liable for any claim made by a third party or made by the purchaser for a third party.

CRESTRON shall, at its option, repair or replace any product found defective, without charge for parts or labor. Repaired or replaced equipment and parts supplied under this warranty shall be covered only by the unexpired portion of the warranty.

Except as expressly set forth in this warranty, CRESTRON makes no other warranties, expressed or implied, nor authorizes any other party to offer any warranty, including any implied warranties of merchantability or fitness for a particular purpose. Any implied warranties that may be imposed by law are limited to the terms of this limited warranty. This warranty statement supersedes all previous warranties.

#### Trademark Information

All brand names, product names, and trademarks are the sole property of their respective owners. Windows is a registered trademark of Microsoft Corporation. Windows95/98/Me/XP and WindowsNT/2000 are trademarks of Microsoft Corporation.

This page is intentionally left blank.



**Crestron Electronics, Inc.**  
15 Volvo Drive Rockleigh, NJ 07647  
Tel: 888.CRESTRON  
Fax: 201.767.7576  
[www.crestron.com](http://www.crestron.com)

---

**Operations & Installation Guide – DOC. 6480  
(2014987)  
05.06**  
Specifications subject to  
change without notice.