

AirMedia® Presentation System 300

The Crestron AirMedia® Presentation System 300 ([AM-300](#)) enables secure wired and wireless presentation in conference rooms, lounges, lobbies, and open spaces, and integrates with popular calendaring platforms to maximize use. It is ideal for organizations with a dispersed workforce, open floor plans, and reliance on mobile devices to present.



In the Box

- 1 AM-300, AirMedia Presentation System 300

Additional Items

- 4 Anchor, Wall, Plastic, Self Drill, #8 x 1-1/4 in. Screw (P/N 2050199)
- 1 Connector, 4-Pin (P/N 2003576)
- 1 Connector, 5-Pin (P/N 2003577)
- 1 Power Cord, 5 ft 10 in. (1.78 m) (P/N 2042043)
- 1 Power Pack, 24 VDC, 2.5 A, 100-240 VAC (P/N 2045873)

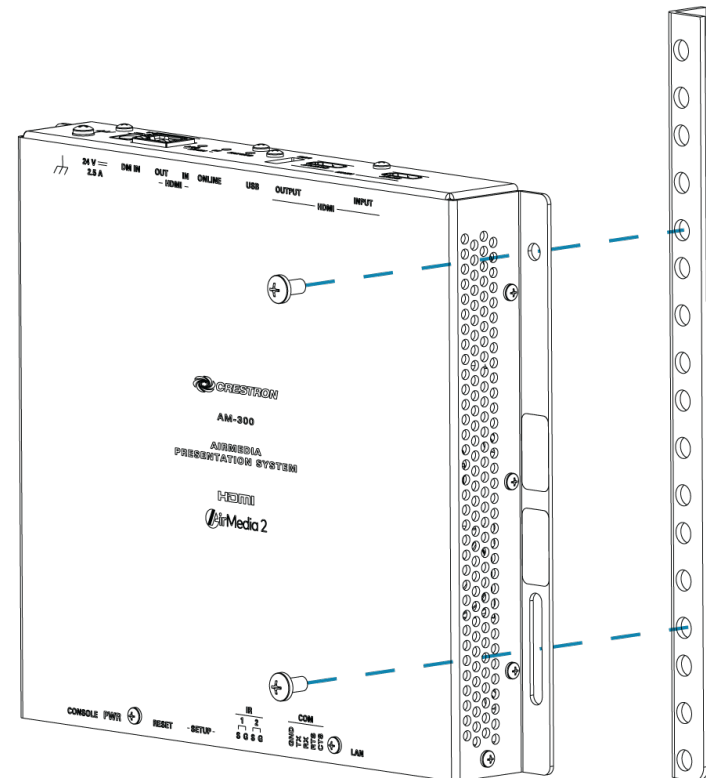


Install the Device

The AM-300 can be mounted onto a rack rail or onto a flat surface.

Mount Onto a Rack Rail

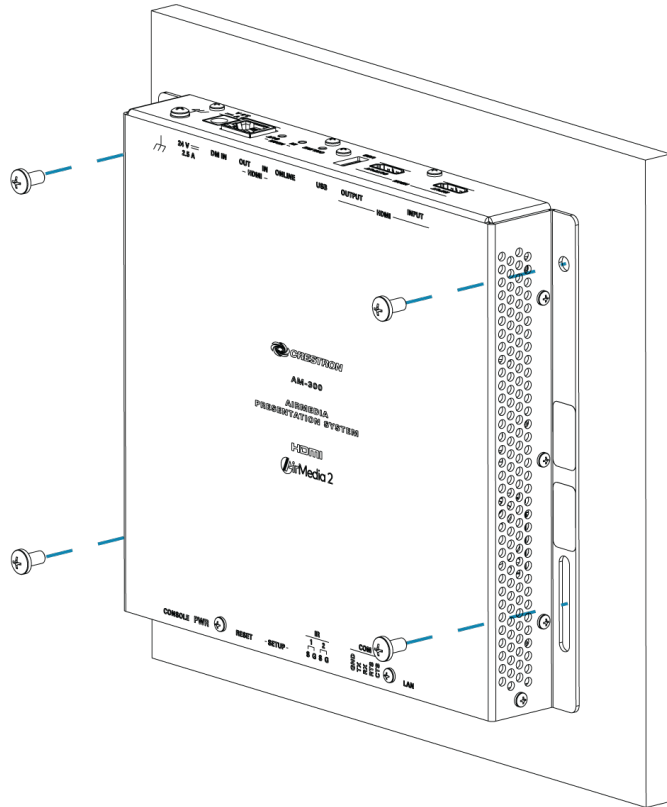
Use two mounting screws (not included) to mount the left or right mounting flange of the device onto the front or rear rail of a rack.



AirMedia® Presentation System 300

Mount Onto a Flat Surface

Use the four included anchors to mount the device onto a flat surface.



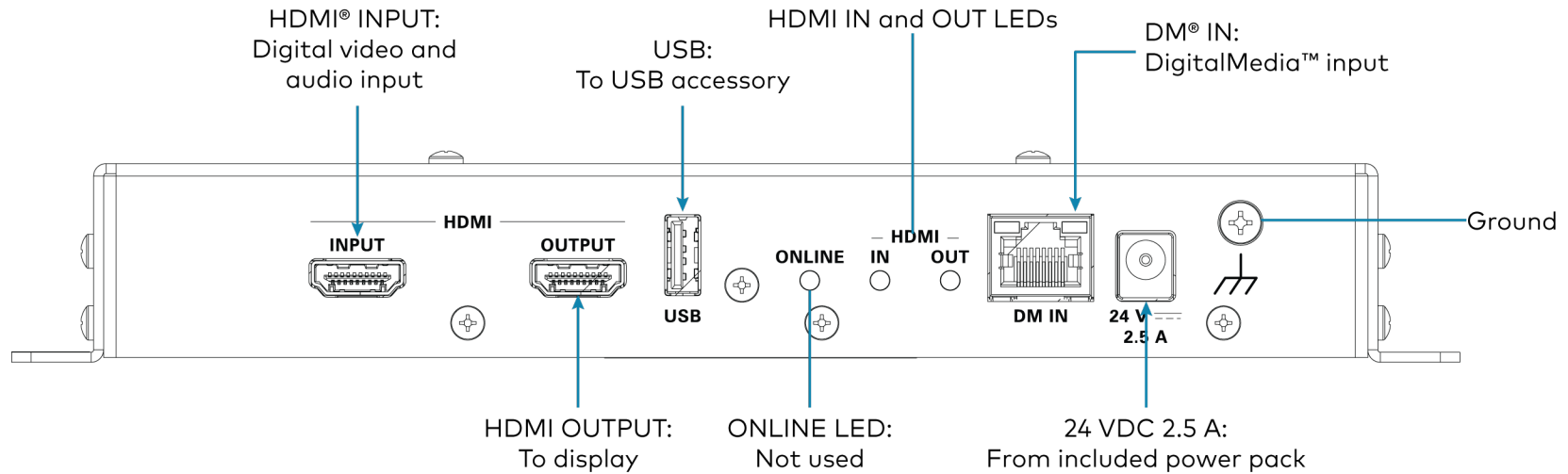
NOTE: The anchors are best suited for surfaces with 3/8 in. to 3/4 in. thickness.

AirMedia® Presentation System 300

Make Connections

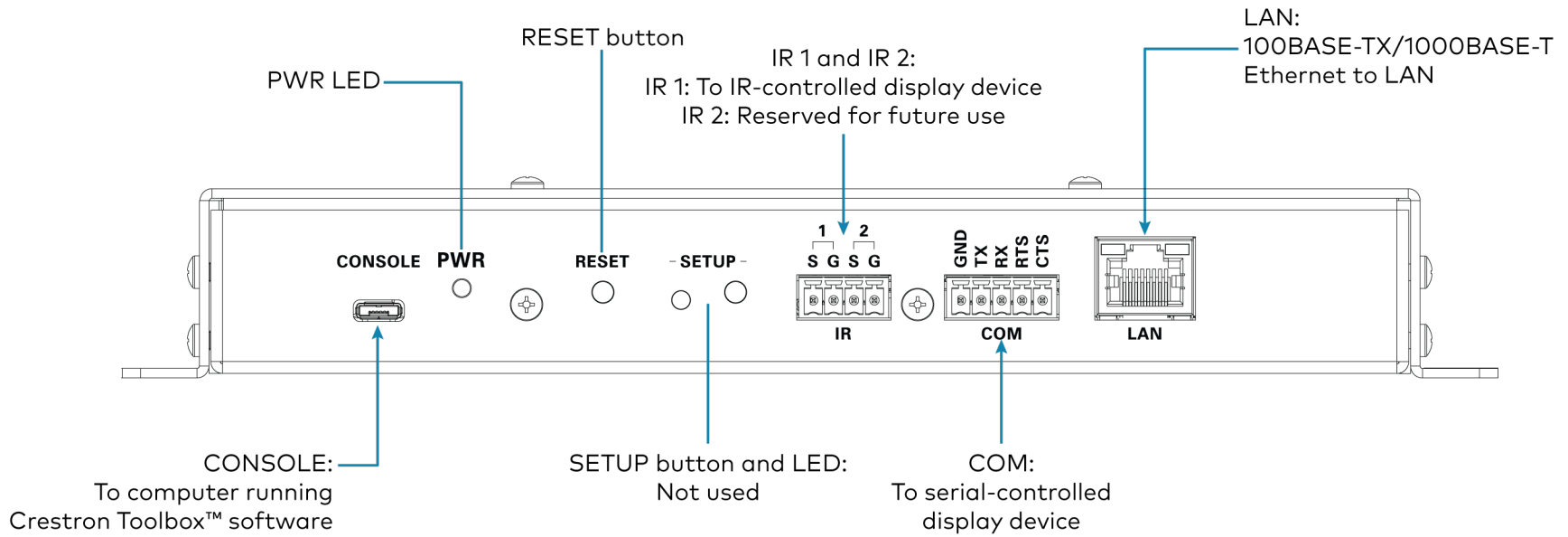
Make connections to the device as shown in the following diagrams. Use the included Crestron® power pack to supply power.

Top panel connections



AirMedia® Presentation System 300

Bottom panel connections



AirMedia® Presentation System 300



Configure the Device

Use the device's web interface to configure the device. For details on configuring the device, refer to the [AM-200/AM-300 Product Manual](#) (Doc. 8254).



Visit the Product Page

Scan the QR code to visit the product page.

AM-300



www.crestron.com/model/6508637

AirMedia® Presentation System 300

Additional Information

Original Instructions

The U.S. English version of this document is the original instructions.
All other languages are a translation of the original instructions.

Crestron product development software is licensed to Crestron dealers and Crestron Service Providers (CSPs) under a limited nonexclusive, nontransferable Software Development Tools License Agreement. Crestron product operating system software is licensed to Crestron dealers, CSPs, and end-users under a separate End-User License Agreement. Both of these Agreements can be found on the Crestron website at www.crestron.com/legal/software_license_agreement.

The product warranty can be found at www.crestron.com/warranty.

The specific patents that cover Crestron products are listed at www.crestron.com/legal/patents.

Certain Crestron products contain open source software. For specific information, visit www.crestron.com/opensource.

Crestron, the Crestron logo, AirMedia, Crestron Toolbox, DigitalMedia, and DM are either trademarks or registered trademarks of Crestron Electronics, Inc. in the United States and/or other countries. HDMI and the HDMI logo are either trademarks or registered trademarks of HDMI Licensing LLC in the United States and/or other countries. Other trademarks, registered trademarks, and trade names may be used in this document to refer to either the entities claiming the marks and names or their products. Crestron disclaims any proprietary interest in the marks and names of others. Crestron is not responsible for errors in typography or photography.

HDMI

©2020 Crestron Electronics, Inc.

Doc. 8253D
(2050347)

05/31/20