

Wall Mount Kit for UC-P8 and UC-P10 Series Devices

The [UCA-WMK-UC-P8/P10](#) provides a secure wall mounting option for Crestron® UC-P8 and UC-P10 series desk phones. The easy-to-install mounting bracket and hardware allow the user to mount the phone onto a wall or other flat surface.



In the Box

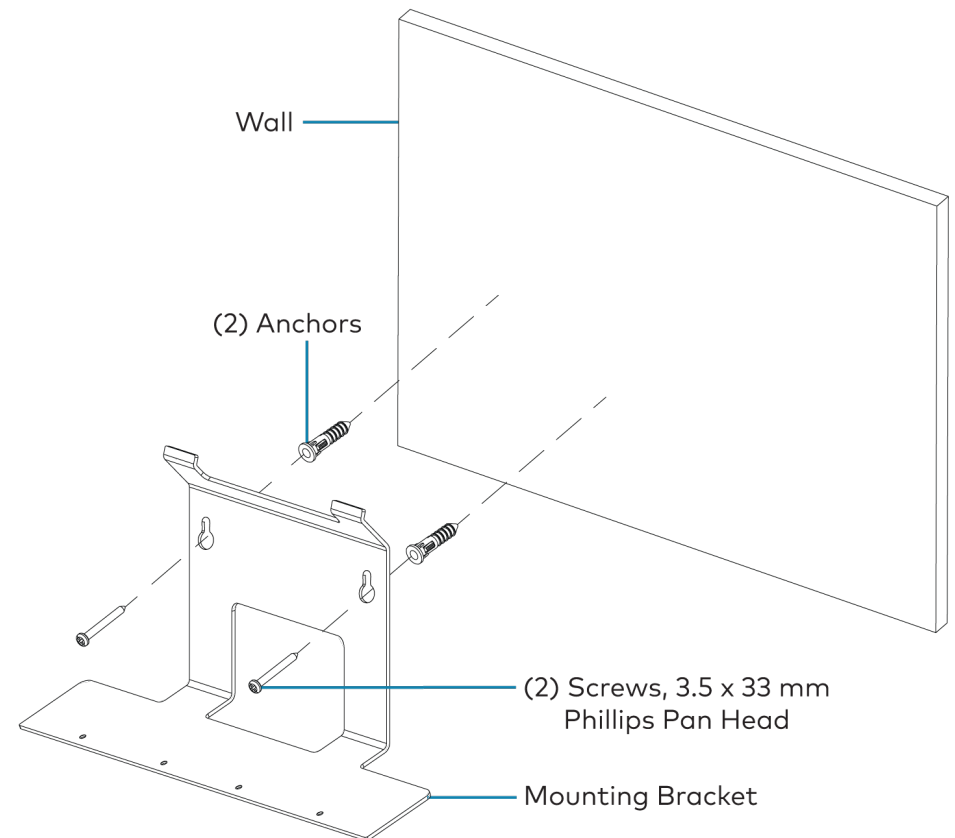
- 2 Anchor, Wall, Plastic, 6.5 x 29 mm (2057024)
- 1 Bracket, Wall Mount, 148.7 x 278.5 x 61.3 mm (2057027)
- 4 Screw, 3 x 6 mm, Flat Head, Phillips (2057025)
- 2 Screw, 3.5 x 33 mm, Pan Head, Phillips (2057026)



Installation

Installing the Mounting Screws

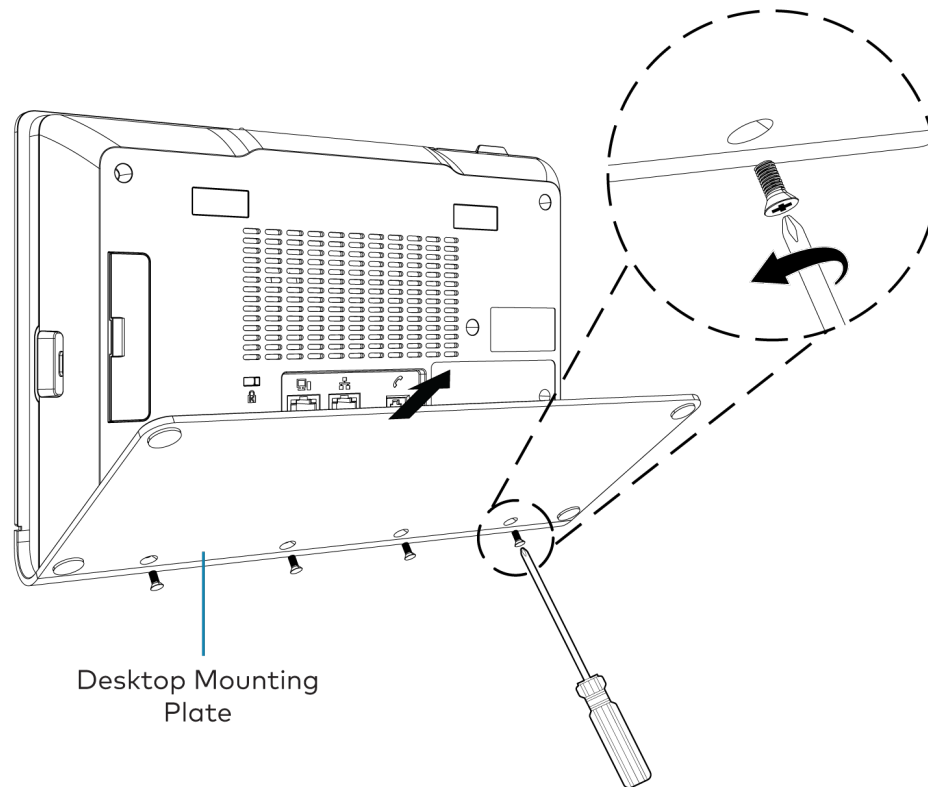
1. Hold the mounting bracket against the wall to mark the screw holes.
2. Drill holes at the marked screw hole locations and install the two included anchors and two 3.5 x 33 mm Phillips pan head mounting screws.



Wall Mount Kit for UC-P8 and UC-P10 Series Devices

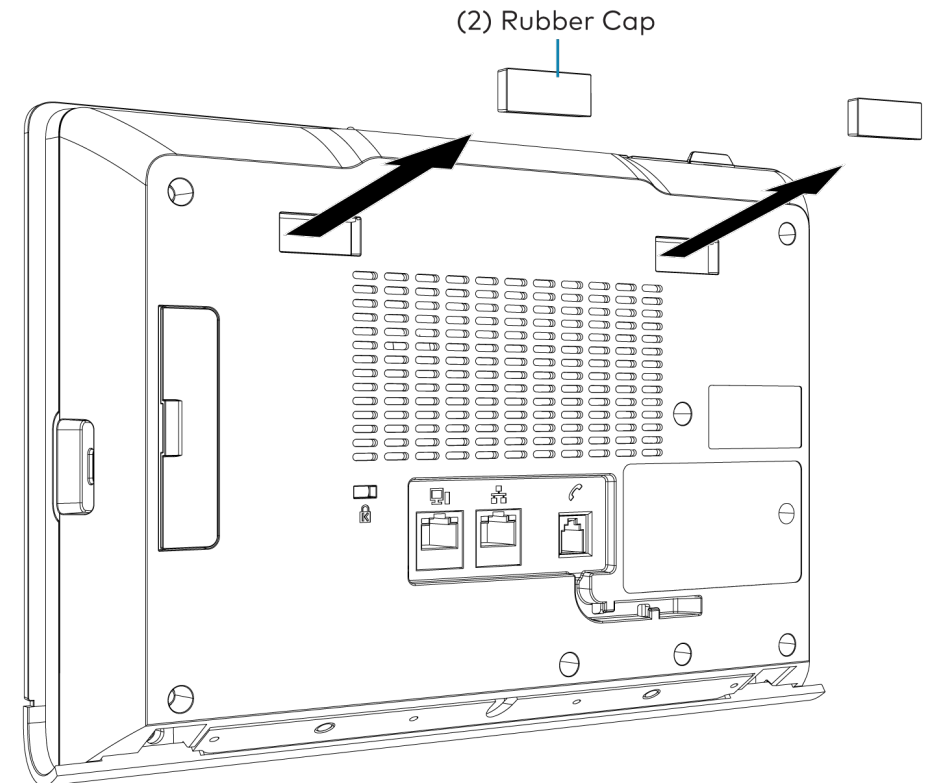
Removing the Desktop Mounting Plate from the Phone

1. Remove the screws from the desktop mounting plate.
2. Detach the desktop mounting plate.
3. Store the mounting plate and screws for future use.



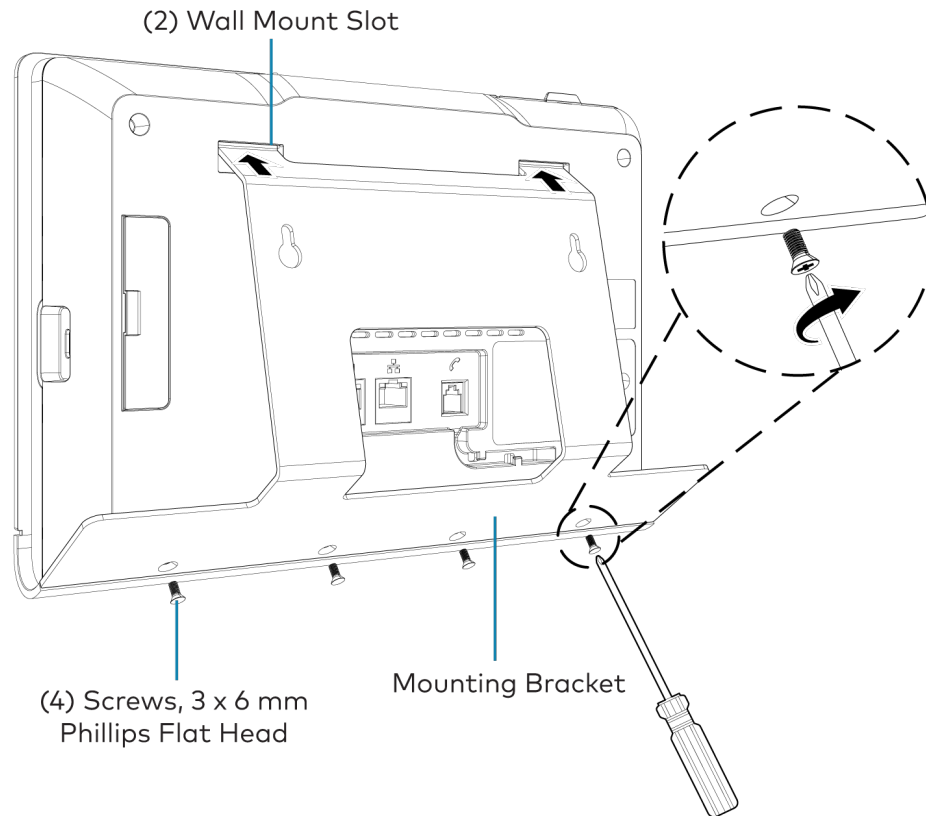
Attaching the Mounting Bracket to the Phone

1. Remove the rubber caps from the wall mount slots.



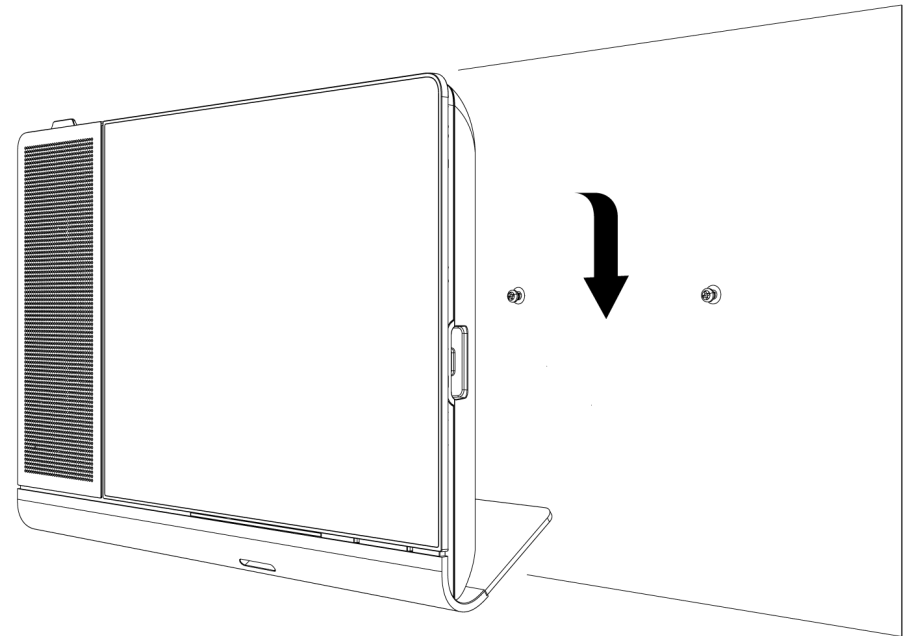
Wall Mount Kit for UC-P8 and UC-P10 Series Devices

2. Slide the mounting bracket into the wall mount slots.
3. Secure the mounting bracket to the phone using the included 3 x 6 mm Phillips flat head screws.



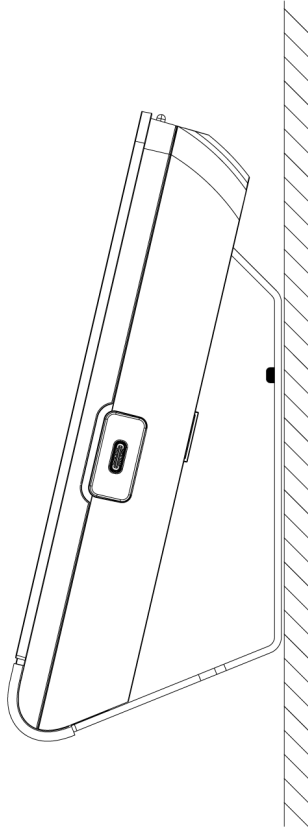
Mounting the Phone onto the Wall

1. Attach the required cables to the connectors on the back of the phone.
2. Mount the phone onto the wall by sliding it down onto the mounting screws. Ensure the phone is well mounted before releasing it.



Wall Mount Kit for UC-P8 and UC-P10 Series Devices

3. Ensure that the mounted phone is secure and stable on the wall.



Visit the Product Page

Scan the QR code to visit the product page.

UCA-WMK-UC-P8/P10



www.crestron.com/model/6511771

Wall Mount Kit for UC-P8 and UC-P10 Series Devices

Additional Information

Original Instructions

The U.S. English version of this document is the original instructions. All other languages are a translation of the original instructions.

Crestron product development software is licensed to Crestron dealers and Crestron Service Providers (CSPs) under a limited nonexclusive, nontransferable Software Development Tools License Agreement. Crestron product operating system software is licensed to Crestron dealers, CSPs, and end-users under a separate End-User License Agreement. Both of these Agreements can be found on the Crestron website at www.crestron.com/legal/software_license_agreement.

The product warranty can be found at www.crestron.com/warranty.

The specific patents that cover Crestron products are listed at www.crestron.com/legal/patents.

Certain Crestron products contain open source software. For specific information, visit www.crestron.com/opensource.

Crestron and the Crestron logo are either trademarks or registered trademarks of Crestron Electronics, Inc. in the United States and/or other countries. Other trademarks, registered trademarks, and trade names may be used in this document to refer to either the entities claiming the marks and names or their products. Crestron disclaims any proprietary interest in the marks and names of others. Crestron is not responsible for errors in typography or photography.

©2021 Crestron Electronics, Inc.

Doc. 8924A

01/27/21