

Crestron **PMTC-50-6W**
Universal Projector Ceiling Mount

Installation Guide



This document was prepared and written by the Technical Documentation department at:



Crestron Electronics, Inc.

15 Volvo Drive

Rockleigh, NJ 07647

1-888-CRESTRON

Regulatory Compliance

This product is Listed to applicable UL Standards and requirements by Underwriters Laboratories Inc.

As of the date of manufacture, the PMTC-50-6W has been tested and found to comply with specifications for CE marking, standards per EMC and Radiocommunications Compliance Labelling.



Contents

Universal Projector Ceiling Mount: PMTC-50-6W	1
Introduction	1
Setup	2
Supplied Hardware	2
Installation	5
Resources	27
Further Inquiries	27
Future Updates	27
Appendix A: Install Security Barrel	28
Appendix B: Adjust Mounting Screw Length	30
Return and Warranty Policies	31
Merchandise Returns / Repair Service	31
CRESTRON Limited Warranty	31

Universal Projector Ceiling Mount: PMTC-50-6W

Introduction

The PMTC-50-6W is a versatile universal projector ceiling mount. The mounting assembly can be installed in a variety of settings, including a false ceiling, solid surface (e.g., concrete), or a wood stud in a framed ceiling.

The universal projector mount comes in white and is capable of holding 50 lbs (23 kg) maximum. Perfect for any installation scenario, the mount is fully adjustable with 33 degree tilt, 15 degree roll, and 360 degree rotation ranges.

For false ceilings, the 24" adapter attaches with quick locking suspension cables and includes an escutcheon ring. The PMTC-50-6W includes all mounting hardware along with a 1.5 x 6 inch (~38 x 152 mm) pipe with an access hole for wiring.

A security screw mounting set is provided for added protection of the projector.

Setup

Supplied Hardware

The hardware supplied with the PMTC-50-6W is listed in the following tables.

Supplied Hardware for the False Ceiling Adapter

DESCRIPTION	QUANTITY
Ceiling Adapter	1
Quick Locks	4
1/16" Braided Cable – 25'	4
1/4 - 20 Wing Nuts ¹	4
M5 x 16 mm Phillips Head Screws ¹	4
1/4" x 3" Eye Lag Screws	4
1/4" x 2.4" Concrete Anchors	4
Escutcheon Ring with Hole Cutter	1

Supplied Hardware for the Base Box

DESCRIPTION	QUANTITY
Base Box	1
Nylon Spacer	2
Flat Washer	2
Escutcheon Ring	1
External Tooth Lock Washers	4
M6 x 12 mm Phillips Pan Head with Integrated Split Washer ²	12
#14 x 2" Wood Screws	2

Supplied Hardware for the Universal Projector Mount

DESCRIPTION	QUANTITY
Mounting Legs – Long	4
Mounting Legs – Short	4
Plastic Barrel Caps	8
Pipe, White, 6"	1
Projector Plate	1

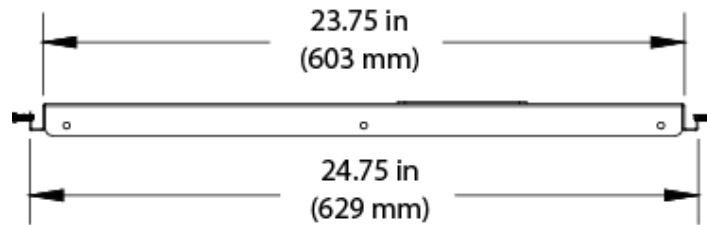
Supplied Projector Mounting Hardware³

DESCRIPTION	QUANTITY
M6 x 8 mm Socket Head Set Screw	1
M2.5 x 12 mm Phillips Head Screw	4
M3 x 16 mm Phillips Head Screw	4
M3 Flat Washer	10
M4 x 12 mm Phillips Head Screw	4
M5 x 12 mm Phillips Head Screw	4
M6 x 12 mm Phillips Head Screw	8
1/4-20 x 5/16" Phillips Head Screw	1

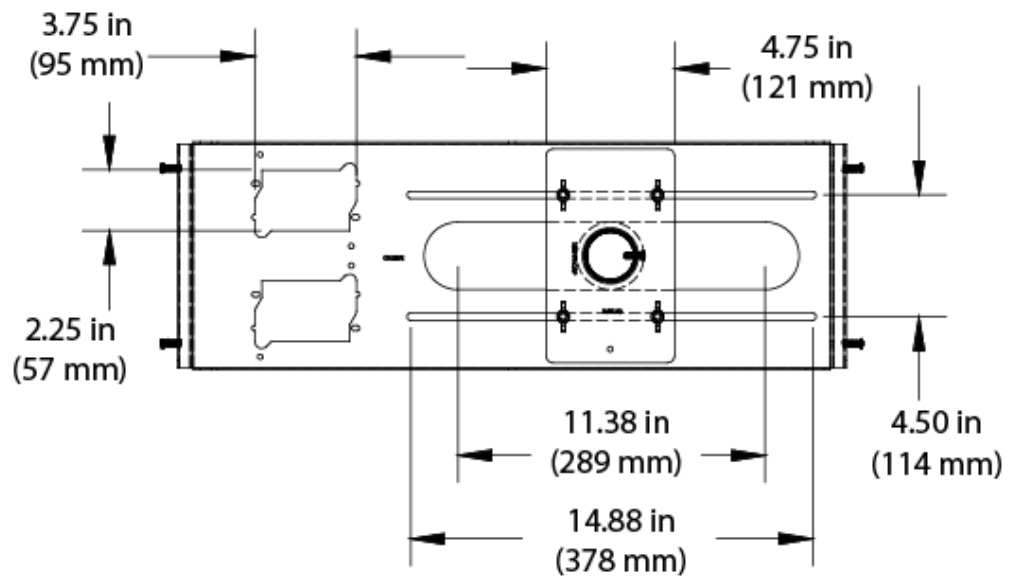
1. The false ceiling adapter comes pre-assembled with these parts attached. Parts listed in the table are provided as replacements, if needed.
2. Six M6 x 12 mm Phillips Pan head screws come pre-installed on the base box and six screws are provided as replacements.
3. All screws are not used in the assembly of this product.

The dimensions of the PMTC-50-6W are shown below and on the following page.

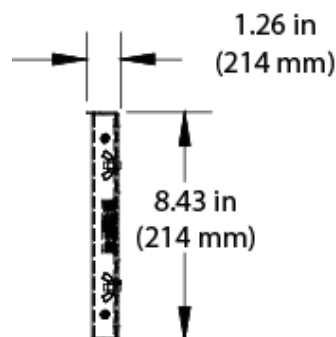
Overall Dimensions – False Ceiling Adapter (Front View)



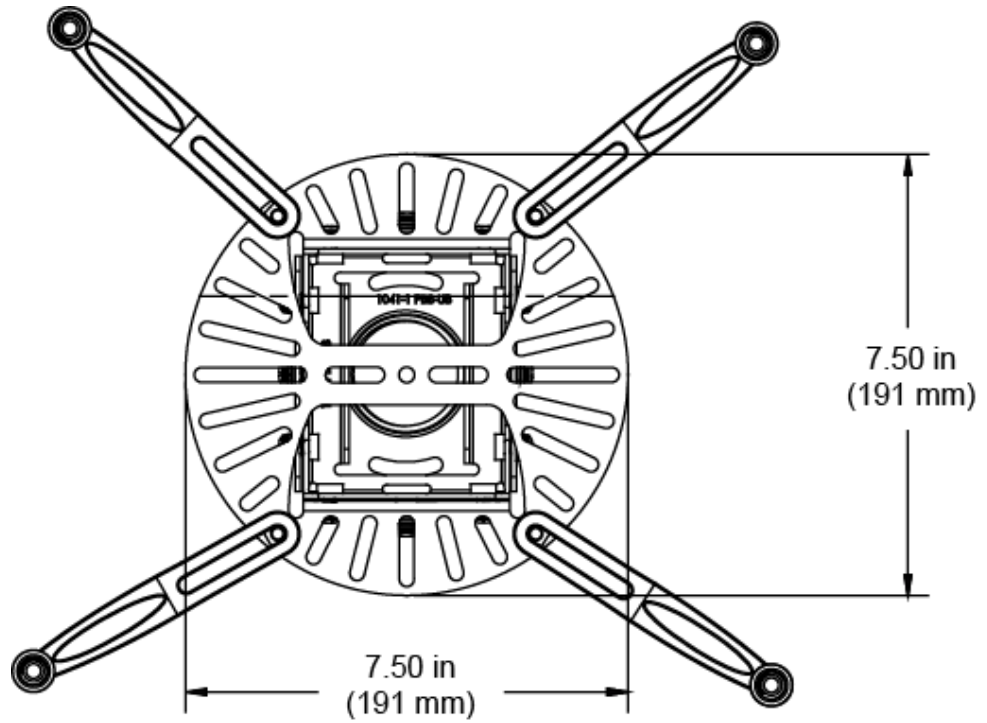
Overall Dimensions – False Ceiling Adapter (Top View)



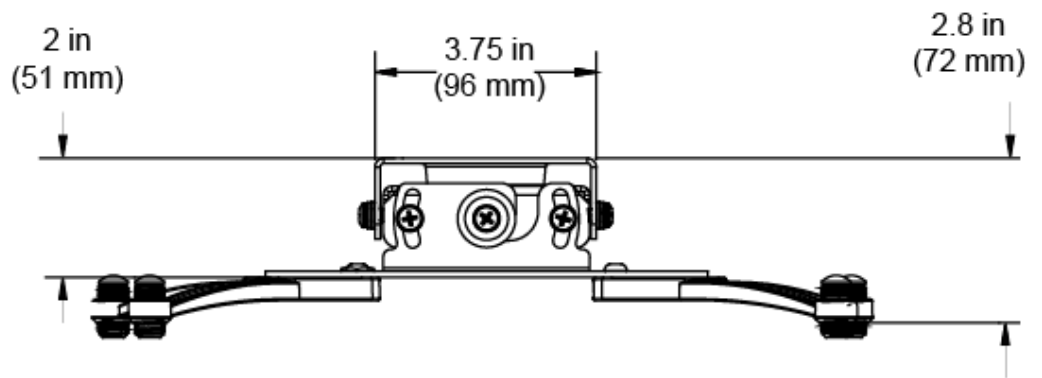
Overall Dimensions – False Ceiling Adapter (Side View)



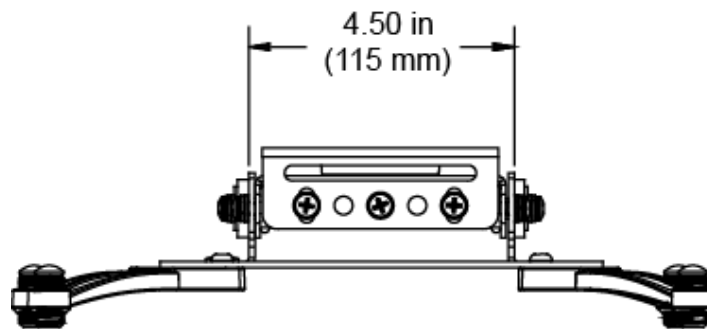
Overall Dimensions – Universal Projector Ceiling Mount (Bottom View)



Overall Dimensions – Universal Projector Ceiling Mount (Front View)



Overall Dimensions – Universal Projector Ceiling Mount (Side View)



Installation

This section provides installation procedures for mounting the PMTC-50-6W to different types of ceilings. Be sure to review the procedures before starting.

Security Hardware



The PMTC-50-6W comes with the option of using security screws. To use the security screws, replace the Phillips Pan head screws with the security screws throughout this installation procedure. Look for the padlock icon in the margin, shown to the left, throughout this guide for steps that can use the security screws.

To tighten hardware, use the supplied Security Allen wrench. For further details and additional security measures, refer to the “Appendix A: Install Security Barrel” on page 28.

False Ceiling Adapter

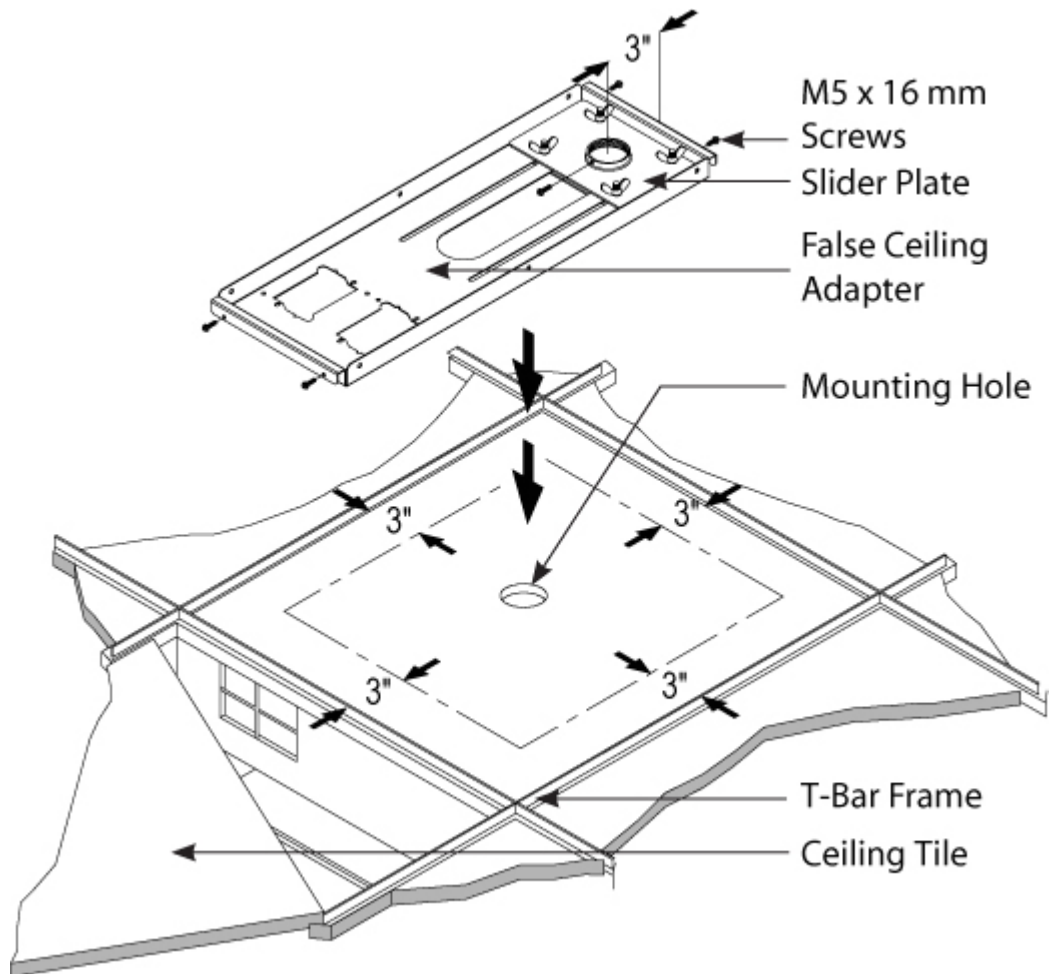
The false ceiling adapter comes as a fully assembled fixture. It consists of a metal hanging plate that is supported by the T-bars of a suspended ceiling and by four braided cables. Two screws are installed on each end to secure the false ceiling adapter to the T-bars. The adapter has a slider plate assembly that adjusts to accommodate a variety of mounting positions within a ceiling tile, it is secured with four wing nuts. The sliding assembly has a 1 1/2" (~38 mm) NPT threaded hole to accept the included 6" (~152 mm) pipe. It also has two knockouts that accommodate a standard or square electrical box.

Before installation, loosen the M5 x 16 mm Phillips screws on the 1 1/2" (~38 mm) NPT coupler and the two on each end of the false ceiling adapter.

1. Find the most appropriate location for projector placement and lightly mark the bottom of the ceiling tile.
2. Remove the tiles that are surrounding the marked tile.
3. For all four edges of the ceiling tile, measure 3" (~76 mm) from the edge of the T-bar to the inside of the tile. This creates an inner frame in the tile showing the usable mounting area. Refer to the illustration on the following page

WARNING: When assembled with only the T-bars, the false ceiling adapter is not a weight bearing assembly. Failure to properly anchor the adapter to a weight bearing structure may result in the projector falling from its mounting location possibly resulting in personal injury and causing damage to the equipment. Refer to the “Anchoring the False Ceiling Adapter” on page 9 for further assembly instructions.

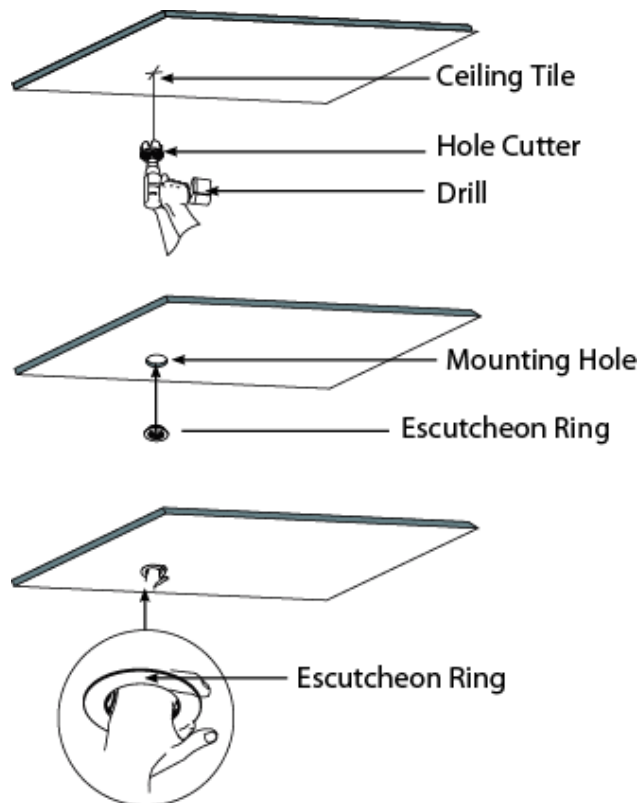
False Ceiling Adapter Assembly



4. Mark a location to cut a hole to accommodate the 1 1/2" (~38 mm) pipe.
5. Using a handheld drill (not supplied) and the included hole cutter, create a hole to accommodate the pipe.
6. Install the escutcheon ring. Refer to the illustration on the following page for visual guidance.

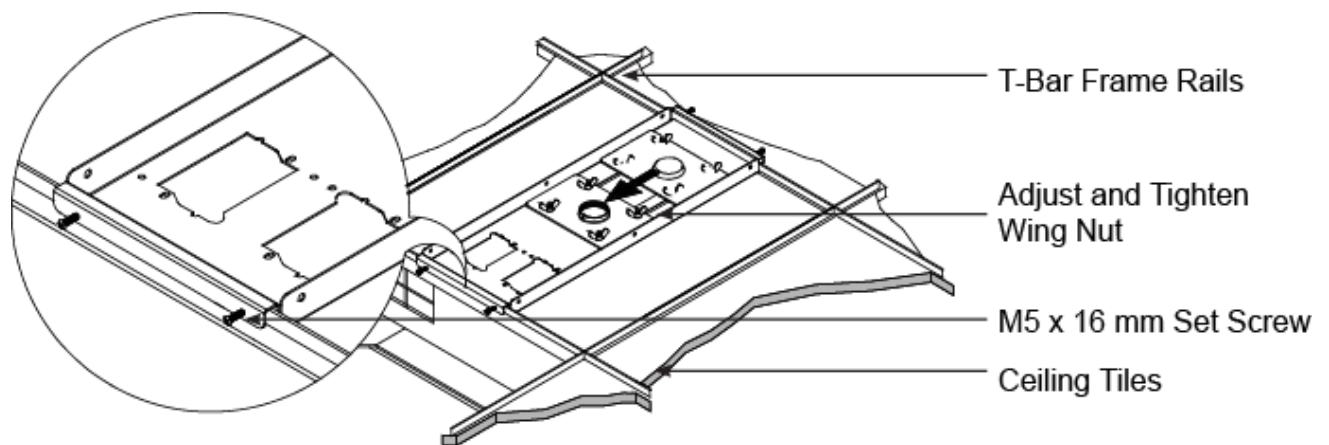
NOTE: To install the escutcheon ring, it may be necessary to insert your hand into the hole to hold the ceiling tile while you press the ring into place.

Cut Hole in Ceiling Tile and Install Escutcheon Ring



7. Place the ceiling plate assembly on the T-bar rails.
8. Position the false ceiling adapter and secure to the T-bars by tightening the four M5 x 16 mm Phillips head screws. Refer to the illustration below.

Secure the False ceiling adapter

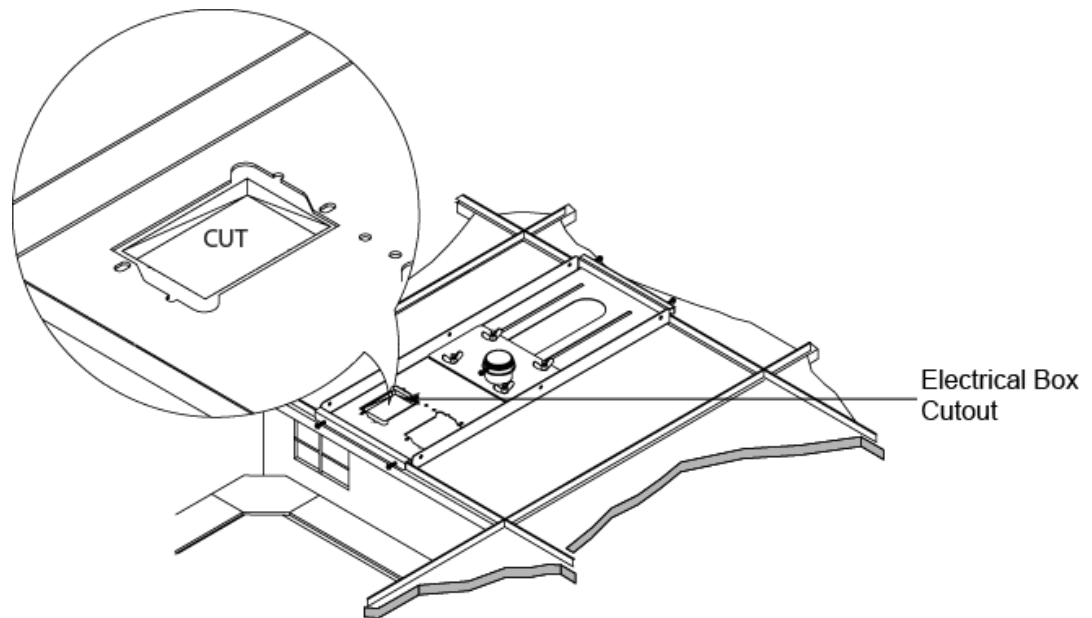


9. Center the sliding assembly in the hole and secure it by tightening the four wing nuts.

NOTE: Electrical installation should be done in accordance to local codes and regulations.

- Cut the tile where the electrical box is going to be secured. Refer to the illustration below.

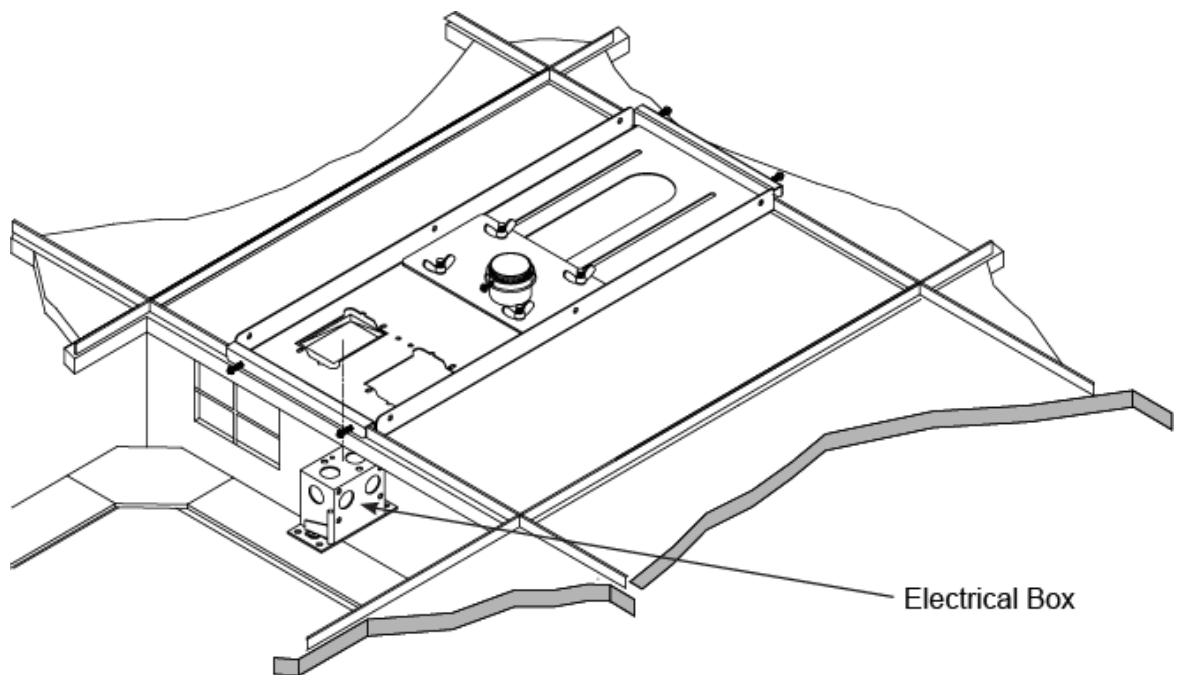
Make Cutout for Electrical Box



- Install appropriate electrical box (not supplied) for the installation environment. Make all electrical connections at this time.

NOTE: The electrical cut-outs allow for both single and square electrical box installations.

Install Electrical Box



Anchoring the False Ceiling Adapter

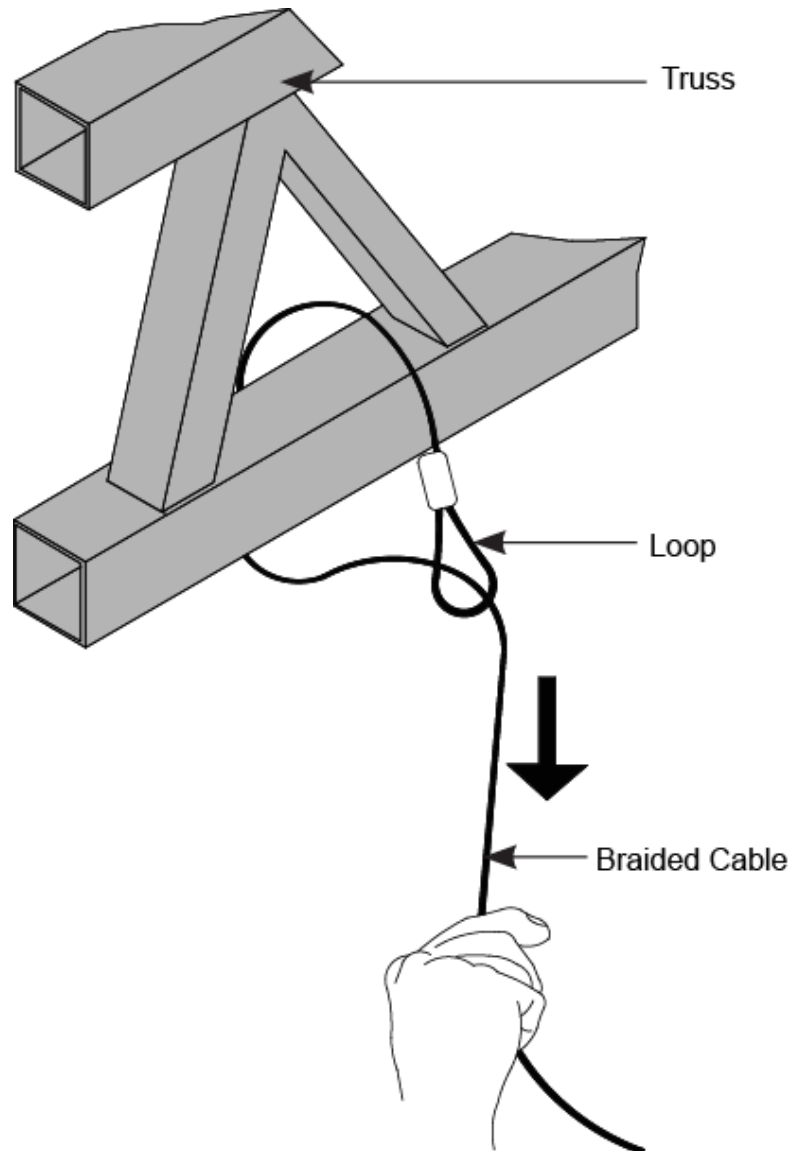
The false ceiling adapter must be properly anchored to a mounting point using the supplied braided cables and quick locks. Three common mounting points are a ceiling truss, wood joist, and concrete slab. Follow the appropriate procedure below to anchor the plate.

NOTE: The false ceiling plate must be secured using the supplied quick locks and braided cables.

Truss Ceiling

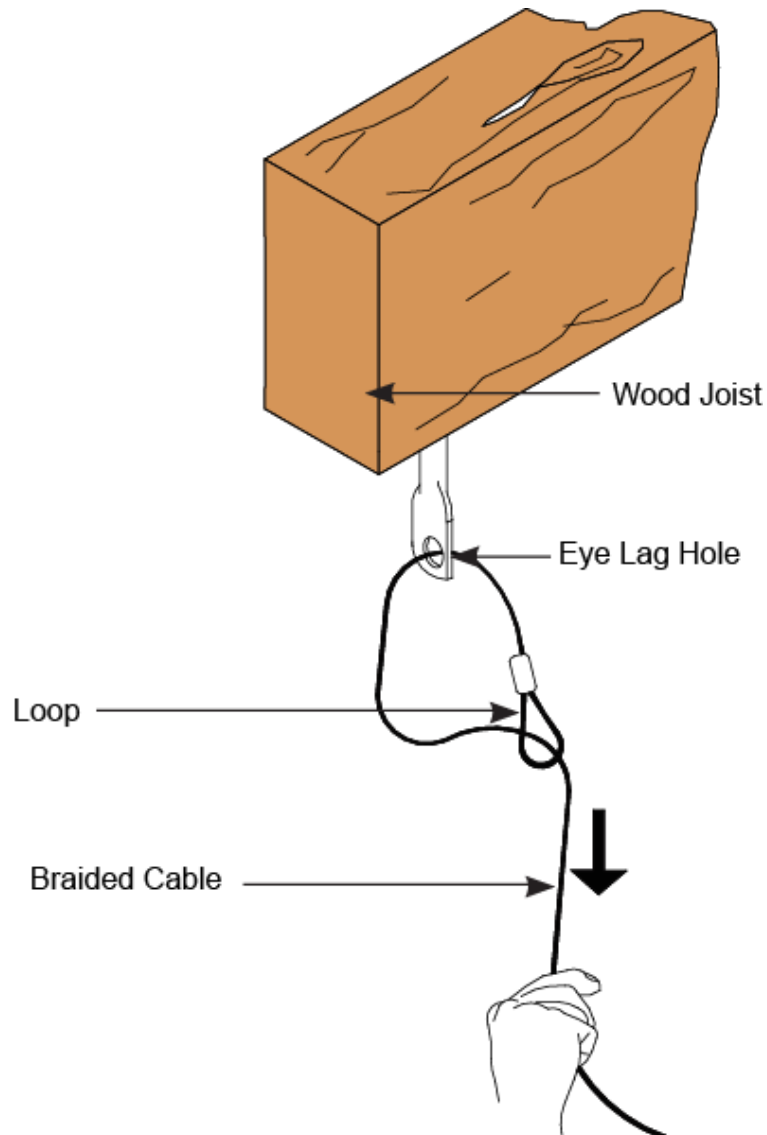
1. Loop the braided cable around the truss.
2. Run the open end through the loop.
3. Pull the open end down until the braided cable tightens around the truss.
4. Refer to “Quick Lock Operation” on page 12 to complete this procedure.

Loop Braided Cable Around Truss



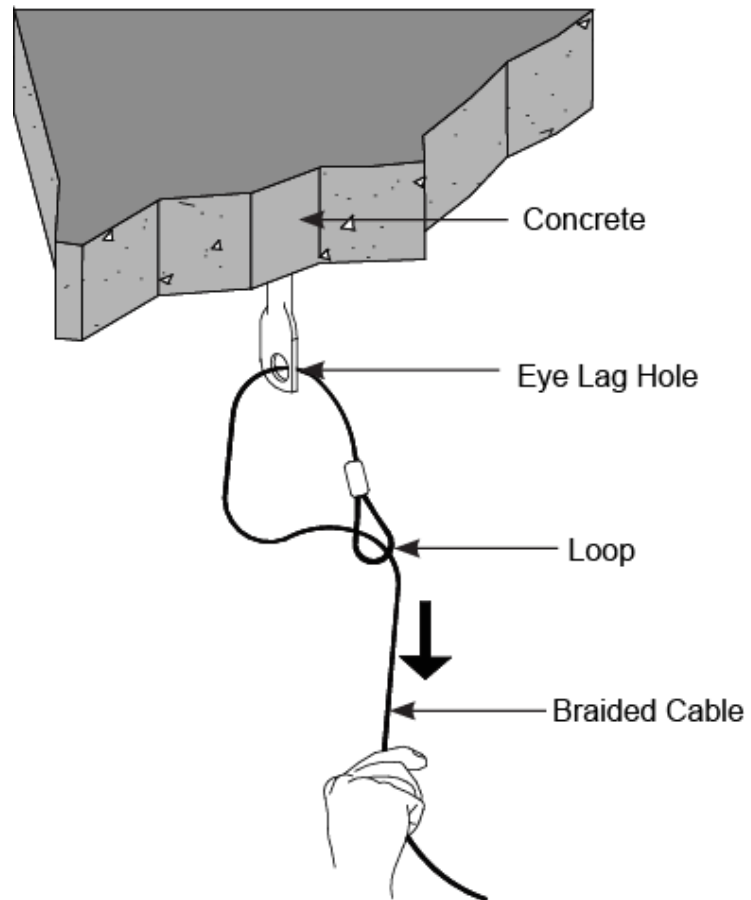
Wood Joist

1. Secure the four 1/4" eye lag screws to the wood joist in the ceiling.
2. Make sure eye lag screws are properly secured to the joist before securing the cable to the cable locks on the plate.
3. Run the open end through the hole in the eye lag screw.
4. Run the open end through the loop.
5. Pull the open end down until the braided cable tightens around the eye lag screw.
6. Refer to "Quick Lock Operation" on page 12 to complete this procedure.

Attach Braided Cable to Wood Joist Using Eye Lag Screws

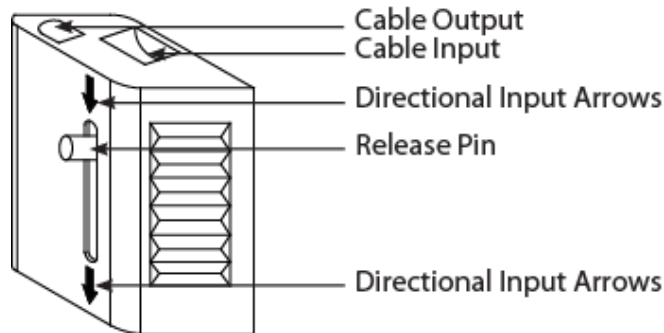
Concrete Slab

1. Determine the mounting location.
2. Use a 1/4" masonry drill bit to pre-drill the mounting holes.
3. Place the concrete anchor into the pre-drilled hole and gently tap into place using a rubber mallet or hammer.
4. Run the open end through the hole in the eye lag screw.
5. Run the open end through the loop.
6. Pull the open end down until the braided cable tightens around the eye lag screw.
7. Refer to "Quick Lock Operation" on page 12 to complete this procedure.

Attach Braided Cable to Concrete Using Concrete Anchors

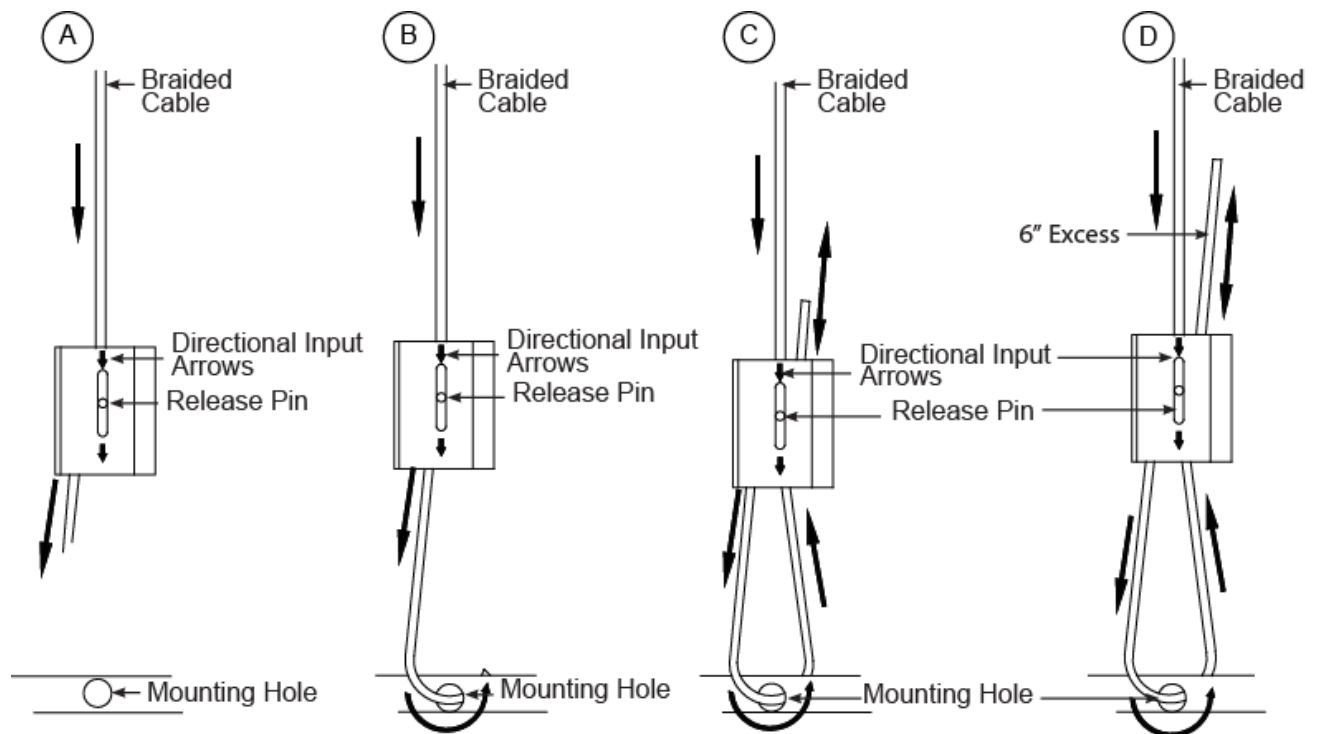
Quick Lock Operation

Quick Lock Diagram



1. Thread each braided cable through the Quick Lock, the mounting hole in the corner of false ceiling adapter, and then completely through the opposite side of the Quick Lock to secure. Refer to A, B and C in the illustration below.

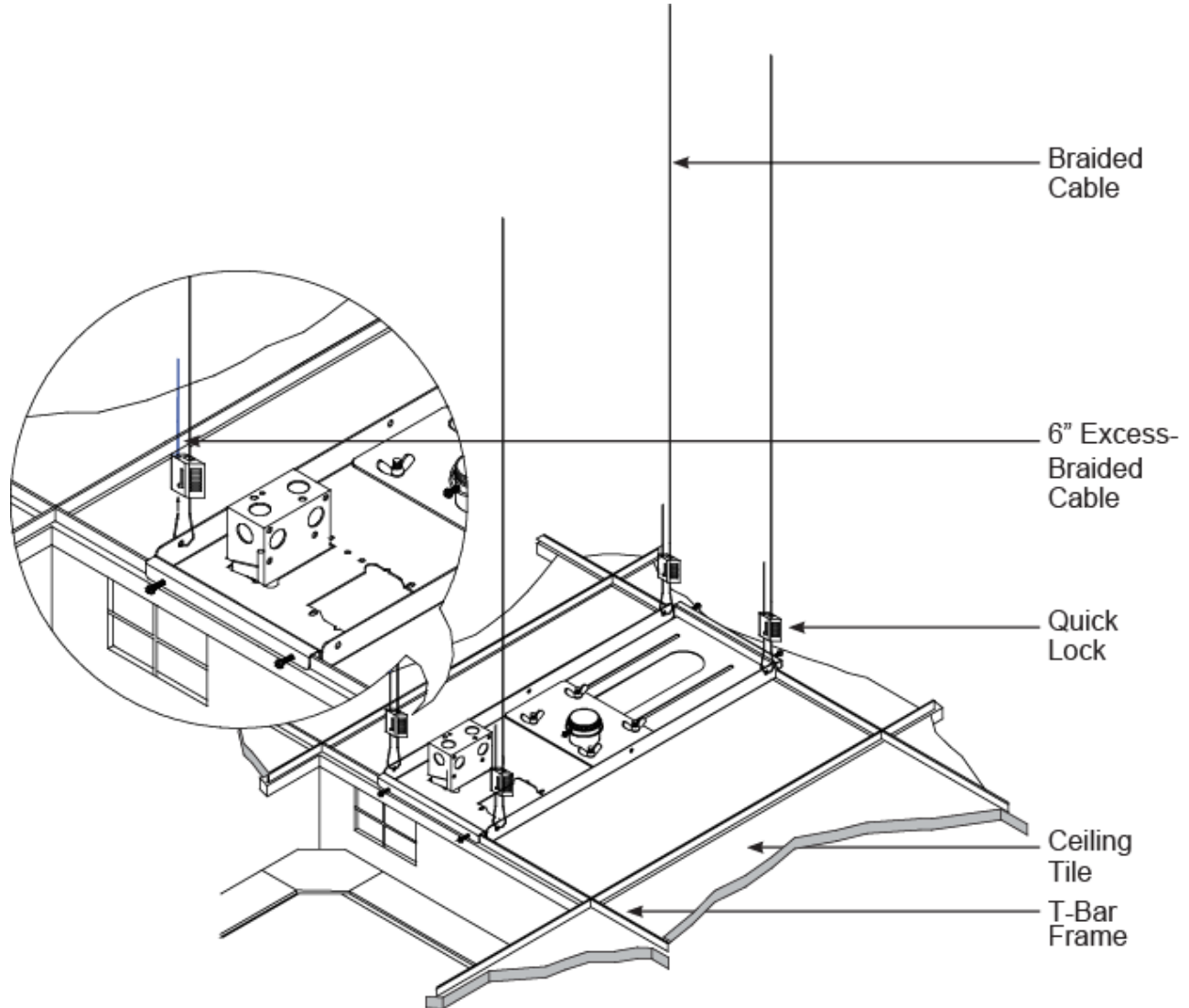
Quick Lock Installation Procedure



2. Adjust the braided cable tension. Do not overtighten.
3. When adjusting the tension of the weight-bearing side of the Quick Lock, the cable must be pulled through the Quick Lock until the desired tension is attained. Once attained, pull the braided cable through the other side of the Quick Lock.
4. Once the tension has been adjusted, be sure that there is at least 6" (~152 mm) of excess braided cable on the non-weight bearing side of the Quick Lock. Refer to D in the illustration above.

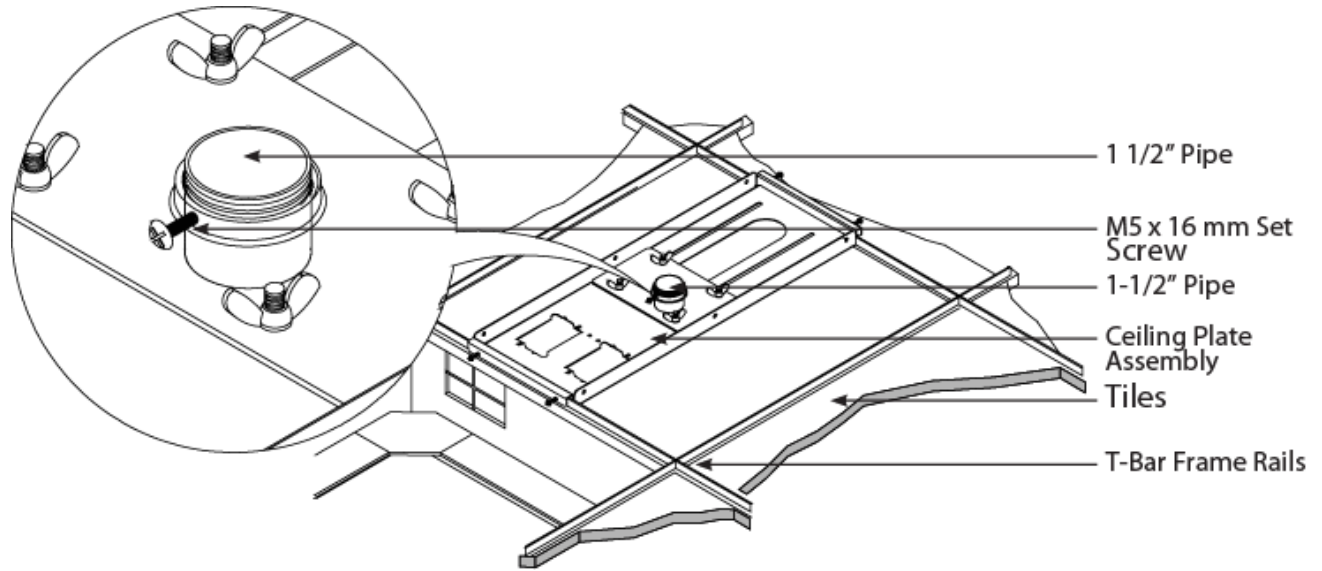
5. You may use cable cutters to remove any excess braided cable, make sure to leave at least 6" (~152 mm).
6. To relieve tension on the braided cable, slide the release pin on the Quick Lock downward.

False Ceiling Adapter Installation



7. Screw the 1 1/2" (~38 mm) NPT pipe to the ceiling adapter and secure by using one M5 x 16 mm Phillips head set screw (supplied). Refer to the illustration on the following page.

Secure NPT Pipe to False ceiling adapter

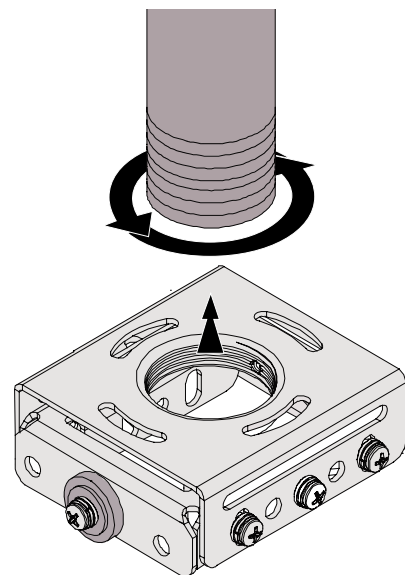


NOTE: The M5 x 16 Phillip head screw must be used to stabilize the 1 1/2" (~38 mm) NPT pipe.

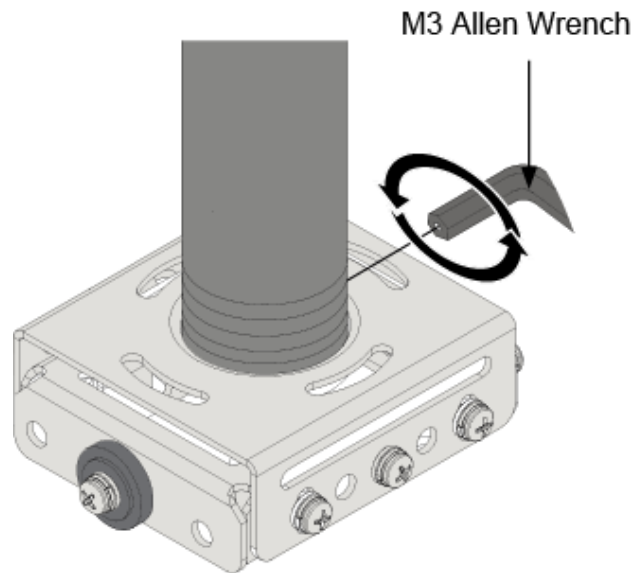
Mounting the Base Box

After the 1 1/2" (~38 mm) NPT pipe has been properly secured to the ceiling structure, thread the base box to the lower portion of the pipe.

Mount Base Box to Pipe



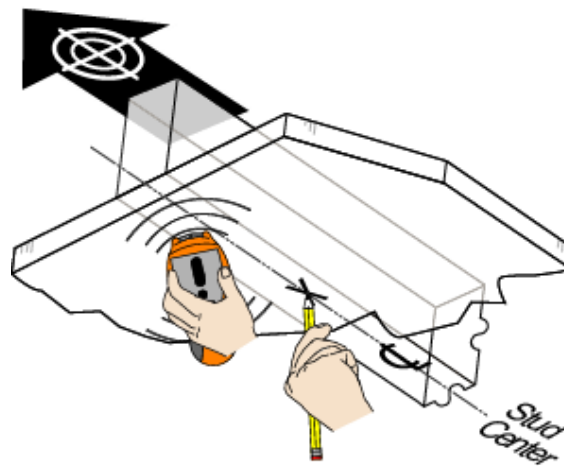
Secure the base box to the pipe with the M6 x 8 mm screw (or security screws) and tighten using the M3 Allen wrench (supplied). Refer to the illustration on the following page for guidance.

Secure Base Box to 1 1/2" NPT Pipe**Surface Mounting**

The base box can be mounted directly to a solid surface such as a framed ceiling with the drywall hung. Follow the procedure below to mount the base box to a ceiling that has wooden studs.

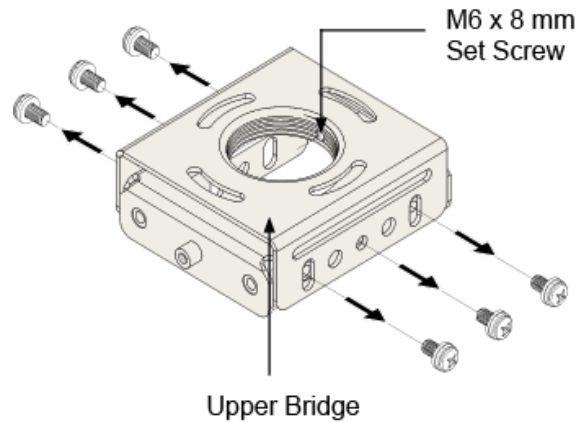
NOTE: When mounting to a solid surface the six inch pipe and the ceiling adapter are not used in the installation.

1. Use a stud finder to locate a ceiling stud closest to your desired installation location.
2. Identify the center of the ceiling stud.
3. Use a pencil to mark the location of the ceiling stud center.

Identify and Mark the Center of the Wood Stud

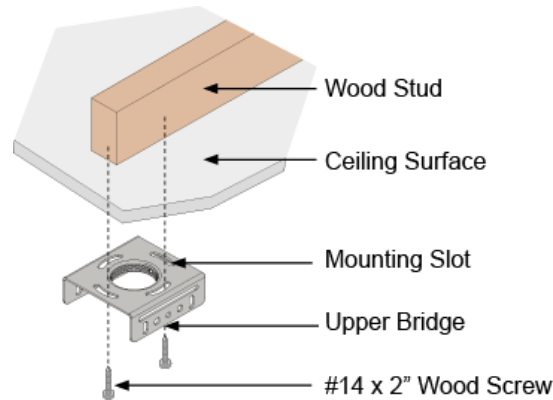
4. Separate the upper bridge from the base box by removing the six M6 x 12 mm Phillips head screws (three on each side). These screws will be re-used.

Separate Upper Bridge



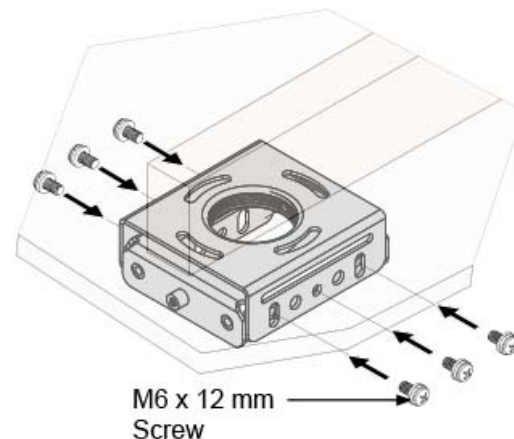
5. Use the appropriate pair of mounting slots single wood stud mounting, depending on your ceiling configuration. The mounting slots on the upper bridge plate will allow you to fine tune the final orientation of the projector.
6. Secure the upper bridge to the center of the stud on the ceiling structure using two #14 x 2" wood screws (supplied).

Mount Upper Bridge to Wood Stud



7. Attach the base box to the upper bridge and secure with the six M6 x 12 mm Phillips Head screws that were removed in step 4.

Reassemble Base Box



NOTE: Do not fully tighten the screws at this time.

Solid Surface Mounting

The base box can be mounted to a solid surface ceiling (e.g., concrete) with a minimum 6 inch (~152 mm) thickness. Concrete wedge anchors (1/4" size, not supplied) must be used for concrete installation. Use a power drill and concrete drill bit (not supplied) to create a pilot hole.

1. Separate the upper bridge from the base box by removing the six M6 x 12 mm Phillips head screws (three on each side). These screws will be re-used.
2. Place the upper bridge in position against the ceiling.
3. Mark four holes to be used for securing the mount and place the upper bridge aside.
4. Use a power drill to drill holes using the appropriate concrete bit for your wedge anchor.
5. Insert a concrete wedge anchor into each hole

NOTE: If necessary, a hammer can be used to lightly tap each anchor into place so that they are flush with the ceiling.

6. Remove the nuts and flat washers from the concrete wedge anchors. These parts will be re-used.
7. Place the upper bridge over the anchors and secure using the washer and nut that was previously removed.
8. Attach the base box to the upper bridge and secure with the six M6 x 12 mm Phillips head screws that were removed in step 1.



NOTE: Do not tighten until all nuts and flat washers are in place.

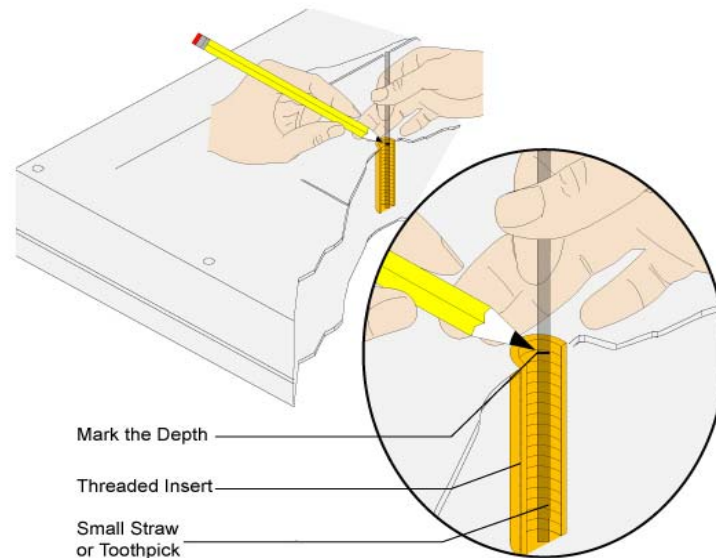
Attaching the Mounting Hardware to the Projector

After locating the mounting points on the bottom of the projector, follow the procedure below to attach the mounting hardware.

NOTE: Attach only to the projector manufacturer's specified mounting points on the projector chassis with a minimum of three mounting legs. Please follow all safety instructions specified by the projector manufacturer as well as the safety instructions outlined in this manual.

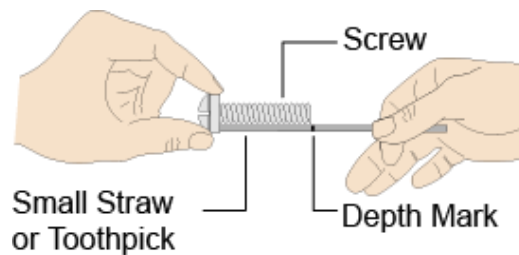
1. Insert a small straw or toothpick into the thread inserts found on the bottom or top of the projector.
2. Use a pencil to mark the depth of the thread insert on the small straw or toothpick, as shown in the illustration on the following page.

Mark Thread Depth

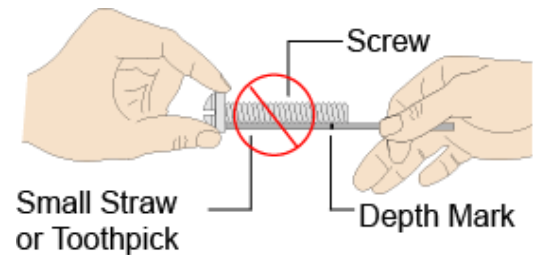


3. Insert the small straw or toothpick into the remaining thread inserts to compare and verify their depth.
4. Using the supplied mounting screws select the correct diameter screw for the thread insert. If the screw you selected is longer than the length indicated by the mark on the small straw or toothpick, do not use this screw. The screw length must not bypass the mark. Refer to the illustration below.

Correct Screw Length



Incorrect Screw Length



5. Test the size of each of the screws provided. The correct screws should thread easily into the mounting point and not pull out when tension is applied.

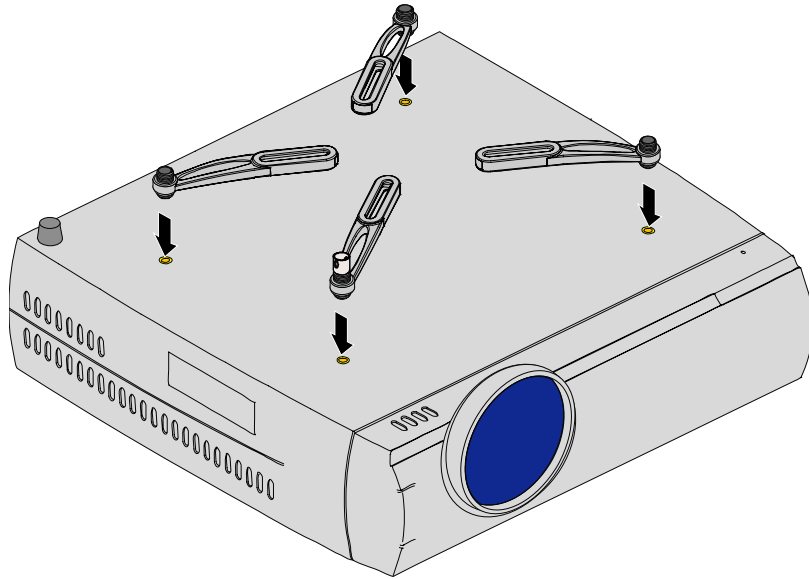
NOTE: If mounting the projector using the included M2.5 or M3 mounting hardware and your hardware is too long, refer to “Appendix B: Adjust Mounting Screw Length” on page 30 for an alternative mounting method.

If your projector has multiple mounting points, proceed to “Multiple Mounting Point Procedure” below. If your projector has a single mounting point, refer to “Single Mounting Point Procedure” on page 23.

Multiple Mounting Point Procedure

1. Locate the mounting points on the projector.
2. Position an appropriate number of mounting legs on the projector. You can use any combination of three or more mounting legs, depending on the number and location of the thread inserts on your projector. Refer to the illustration below.

Possible Mounting Scenario – Shown with Optional Security Barrel Installed

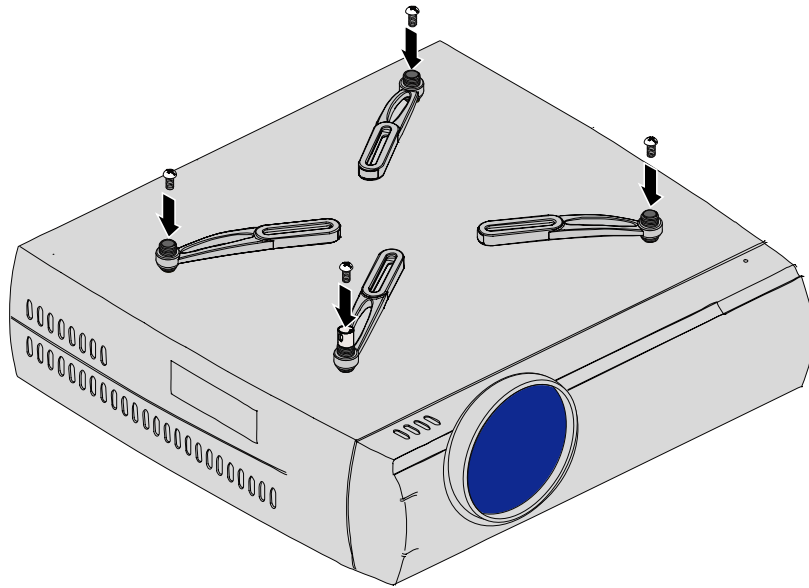


NOTE: The number and placement of mounting points on projectors varies between projector manufacturers. Refer to your projector's technical specifications for the number and location of the mounting points on your specific projector.



3. Attach the appropriate number of mounting legs to the projector using the corresponding mounting hardware.

Attach Mounting Legs

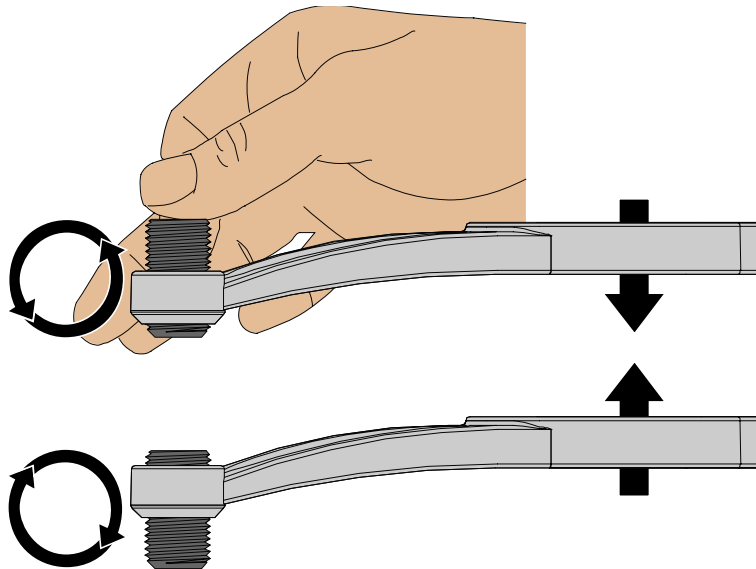


NOTE: Depending on your application, the long mounting legs and the short mounting legs may be used together. There are multiple configurations that may be used combining the long mounting legs with the short mounting legs.

NOTE: Do not tighten the mounting hardware at this time.

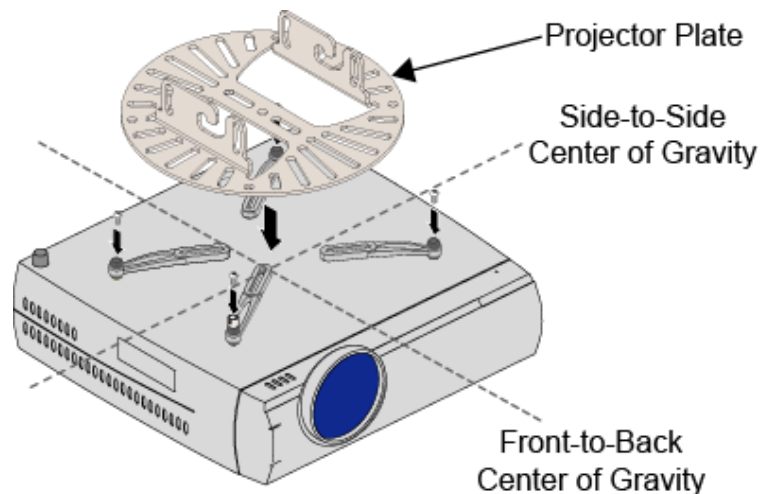
4. Raise or lower each of the mounting legs, by rotating the leveling barrels, until all of the mounting legs are at an equal height.
 - Lower the mounting leg by rotating the leveling barrel counter-clockwise.
 - Raise the mounting legs by rotating the leveling barrel clockwise.

Raise or Lower Leveling Barrels



5. When the desired position is achieved, tighten the mounting screws to the projector. Refer to the illustration at the top of the previous page.
6. Identify the projector's approximate front-to-back center of gravity. Place your hands on each side of the projector and gently lift it an inch from the surface on which it is resting. Carefully adjust your grip on the projector until it seems balanced from front-to-back. Mentally note the apparent center of gravity.
7. Identify the projector's approximate side-to-side center of gravity. Place your hands on the front and back of the projector and gently lift it an inch from the surface on which it is resting. Carefully adjust your grip on the projector until it seems balanced from side-to-side. Mentally note the apparent center of gravity.
8. Place the projector plate on top of the mounting legs with the center of the plate as close as possible to the projector's center of gravity. Refer to the illustration below.

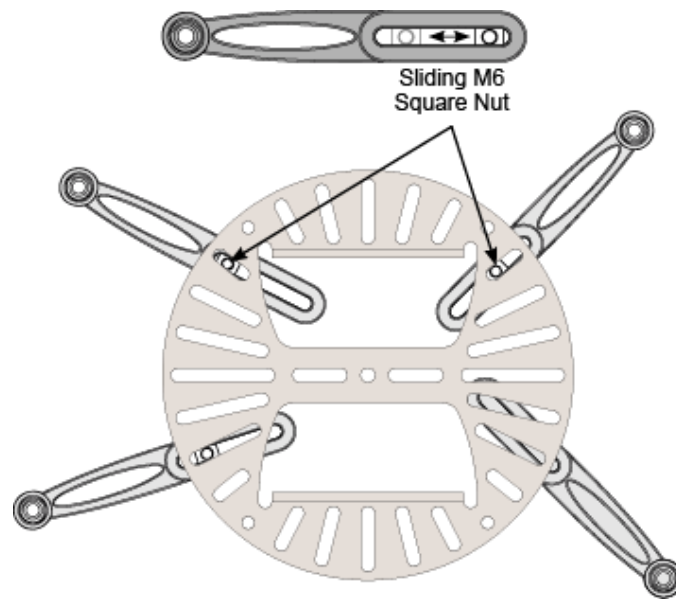
Locate Projector's Center of Gravity



9. Position the legs accordingly for best configuration. You may raise or lower each leg independently by turning the leveling barrels.
10. Secure the legs to the projector plate by screwing M6 x 12 mm security screws into the M6 square nut (do not overtighten) on the mounting legs.



Assembly Overview

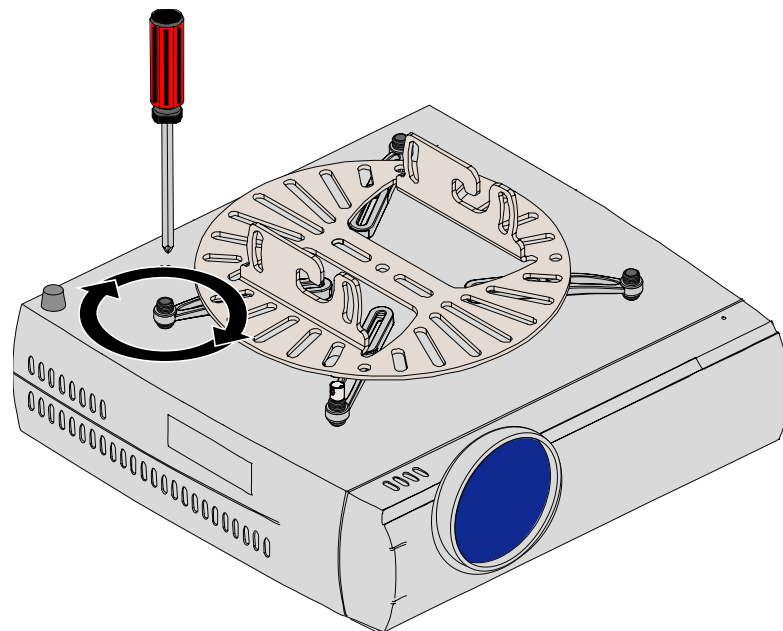


11. Verify the position of the integrated sliding M6 square nut in the mounting leg relative to a nearby slot on the projector plate.

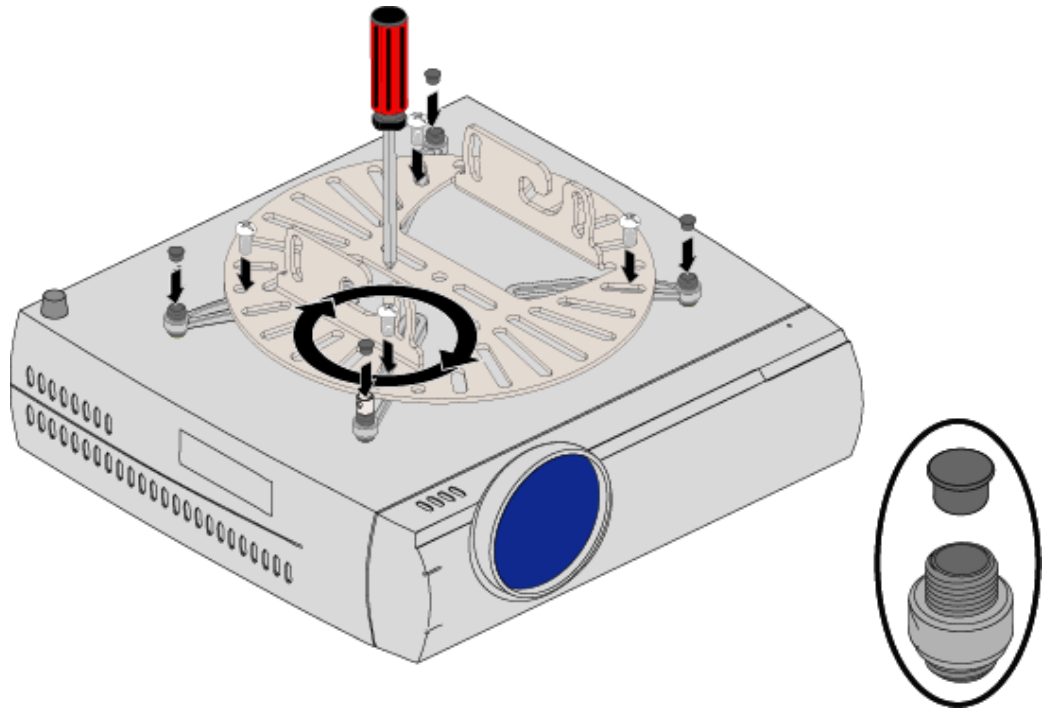
NOTE: If the M6 square nut is not aligned with any slot, you can use any thin implement, such as a toothpick, to nudge it into alignment.

12. Tighten the mounting screws which secure the mounting legs to the projector. Do not overtighten the mounting screws.

Tighten Mounting Screws



13. Attach the projector plate to each of the mounting legs by inserting and tightening one M6 x 12 mm screw through the projector plate into the M6 square nut on each of the mounting legs.

Tighten Projector Plate Screws

NOTE: Do not overtighten the M6 x 12 mm screws.

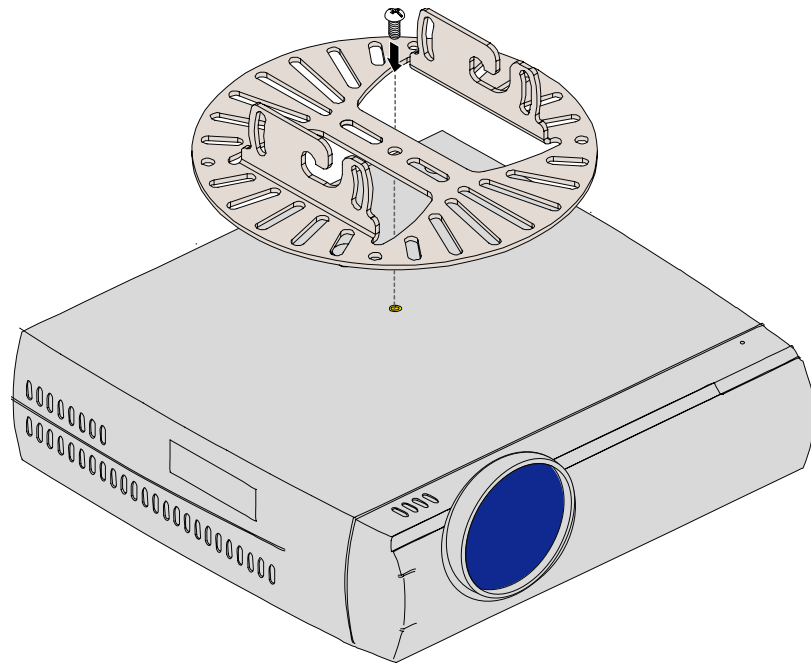
14. Insert one barrel cap into the end of each leveling barrel.
15. Proceed to “Attach Base Box to Projector Bracket” on page 12.

Single Mounting Point Procedure

If your projector has only one mounting point, a 1/4 - 20 x 5/16” screw must be used to attach the mount to the projector. Follow the procedure below to mount the projector plate.

1. Determine where the mounting point is located.
2. Place the projector plate over the mounting point.
3. Insert and tighten the 1/4 - 20 x 5/16” security screw. Do not overtighten.

Mount Projector Plate with Single Mounting Point



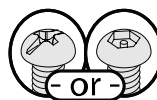
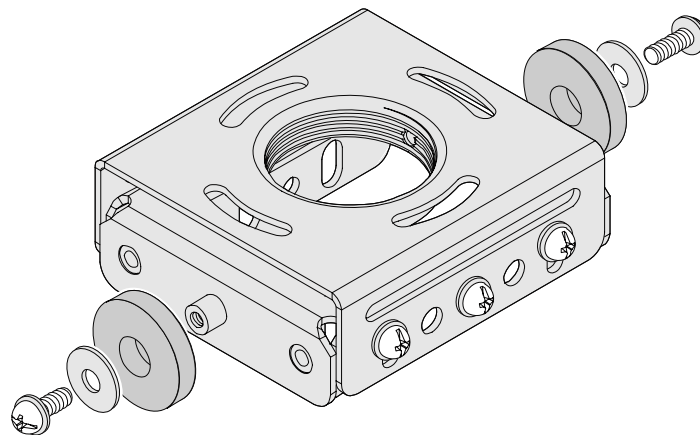
4. Proceed to “Attach Base Box to Projector Bracket” below.

Attach Base Box to Projector Bracket



1. Place one nylon washer over the hinge pin of the base box.
2. Place one 1/4" flat washer over one M6 x 12 mm screw. Insert and tighten the screw. Refer to the illustration that follows.

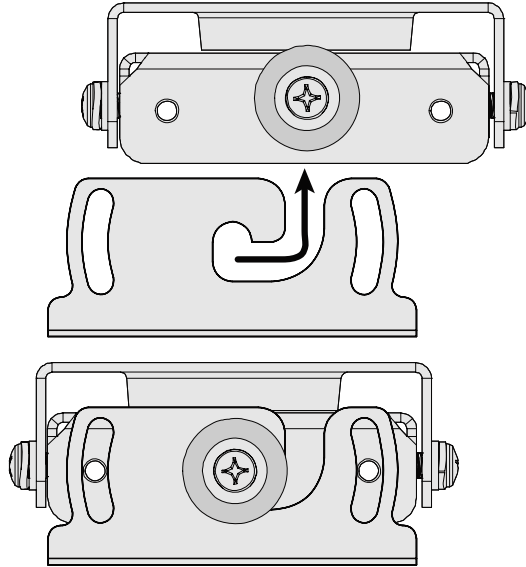
Assemble Base Box for Projector Mounting



NOTE: Do not fully tighten the screw.

3. Repeat steps 1 and 2 for the opposite hinge pin.
4. Raise the projector (with the projector plate attached) and hook the projector plate over the hinge pins.

Raise the Projector (Projector Not Shown)

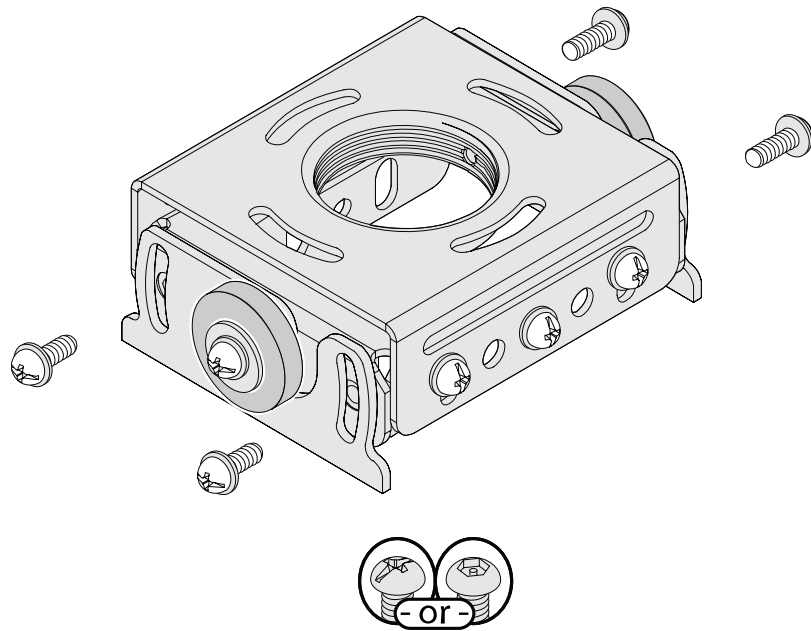


5. Make sure the plate is resting on the hinge pins of the base box before letting go of the projector.



6. Insert the four M6 x 12 mm tilt adjustment screws, two per side. Refer to the illustration that follows.

Install Adjustment Screws



7. Tighten all screws.

NOTE: Do not overtighten the mounting screws.

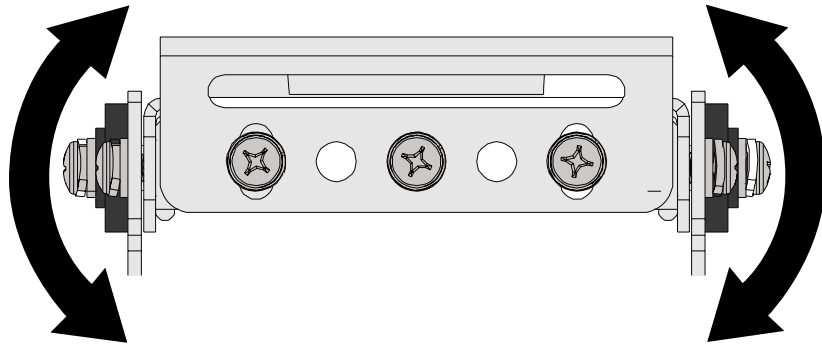
Base Box Adjustment

You can adjust the tilt and roll of the projector by loosening the front and rear or side screws

NOTE: Do not fully loosen the screws, as the projector may drop.

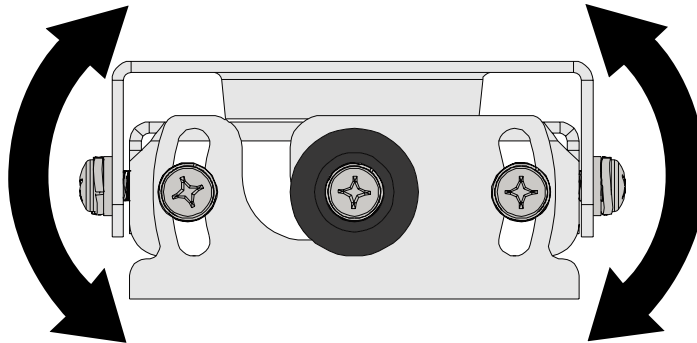
Set the desired roll and then tighten the screws. First tighten the center screws and work your way to the outside screws, making any final adjustments prior to tightening the last two screws.

Adjust Roll



You can adjust the tilt of the projector by loosening the two M6 x 12 mm screws on each side of the base box.

Adjust Tilt



Set the desired tilt and then tighten the screws, making any final adjustments prior to tightening the last two screws.

Once all adjustments have been made, tighten all hardware.

NOTE: If your projector is not holding the tilt, install the four internal/external tooth lock washers on the four M6 x 12 mm Phillips head screws with integrated washers.

Resources

Further Inquiries

If you cannot locate specific information or have questions after reviewing this guide, please take advantage of Crestron's award winning customer service team by calling Crestron at 1-888-CRESTRON [1-888-273-7876].

You can also log onto the online help section of the Crestron website (www.crestron.com/onlinehelp) to ask questions about Crestron products. First-time users will need to establish a user account to fully benefit from all available features.

Future Updates

As Crestron improves functions, adds new features and extends the capabilities of the PMTC-50-6W, additional information may be made available as manual updates. These updates are solely electronic and serve as intermediary supplements prior to the release of a complete technical documentation revision.

Check the Crestron website periodically for manual update availability and its relevance. Updates are identified as an “Addendum” in the Download column.

Appendix A: Install Security Barrel

Your PMTC-50-6W includes one security barrel which can provide additional theft deterrence for your projector. The illustrations on the following page are two examples of how you can use the security barrel to make your projector installation more secure using a security cable or padlock (both not supplied). The table below lists all parts included in the security screw set.

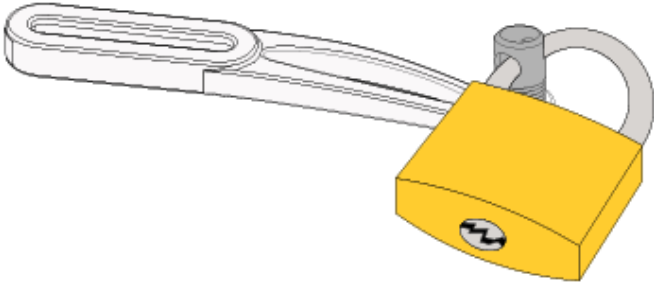
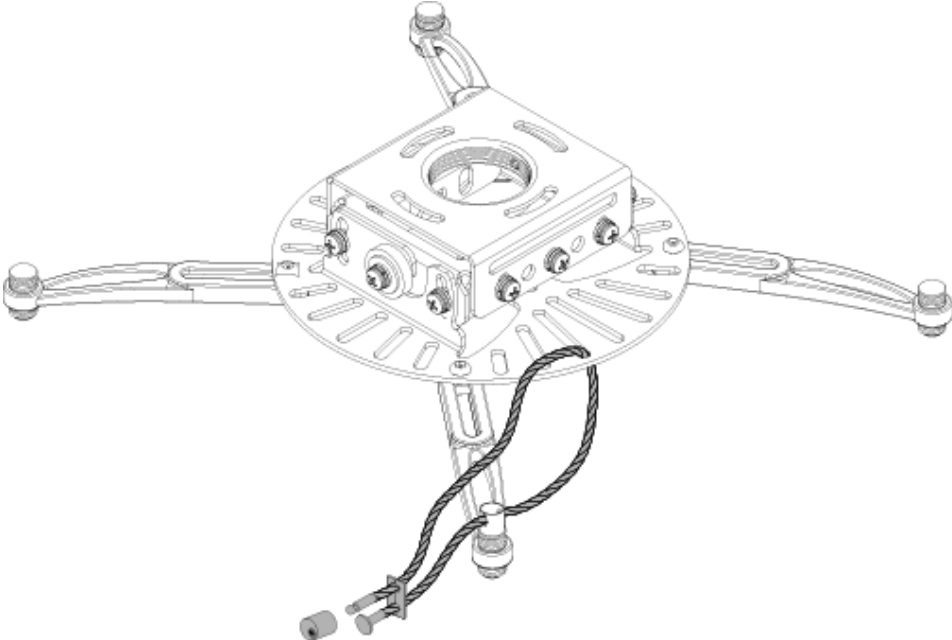
Supplied Hardware for the Security Screw Set

DESCRIPTION	QUANTITY
M6 x 12mm Security Screw	12
M6 8 mm Security Set Screw	1
M3 Security Allen Wrench	1
M2.5 x 12 mm Security Head Screw	4
M5 Security Allen Wrench	1
M3 x 16 mm Security Head Screw	4
M3 Flat Washer	10
M4 x 12 mm Security Head Screw	4
M5 x 12 mm Security Head Screw	4
M6 x 12 mm Security Head Screw	8
1/4 - 20 x 5/16" Security Head Screw	1

If you choose to install the security barrel, please follow the instructions outlined below.

1. Determine which leveling barrel will be removed.
2. Remove the mounting screw.
3. Remove the leveling barrel by turning the leveling barrel counter-clockwise.
4. Thread in the security barrel clockwise.
5. Insert and tighten the mounting screw.
6. Attach theft deterrent device through the hole that is on the security barrel. Refer to the illustration on the following page for visual guidance.

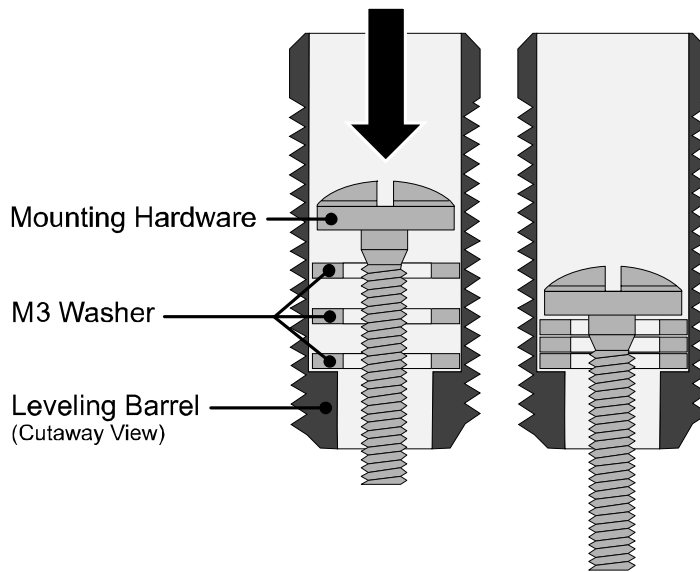
Attach Security Device



Appendix B: Adjust Mounting Screw Length

The depth of some projector mount points may prevent you from tightening the M2.5 and M3 mounting hardware. You can reduce the length of the M2.5 and M3 mounting hardware by stacking up to a maximum of five M3 fl at washers inside the leveling barrel.

Reduce Mounting Screw Length Using Washers



NOTE: Avoid stacking too many M3 washers; the mounting hardware must thread into the projector mount point at least four complete turns.

Return and Warranty Policies

Merchandise Returns / Repair Service

1. No merchandise may be returned for credit, exchange or service without prior authorization from CRESTRON. To obtain warranty service for CRESTRON products, contact an authorized CRESTRON dealer. Only authorized CRESTRON dealers may contact the factory and request an RMA (Return Merchandise Authorization) number. Enclose a note specifying the nature of the problem, name and phone number of contact person, RMA number and return address.
2. Products may be returned for credit, exchange or service with a CRESTRON Return Merchandise Authorization (RMA) number. Authorized returns must be shipped freight prepaid to CRESTRON, 6 Volvo Drive, Rockleigh, N.J. or its authorized subsidiaries, with RMA number clearly marked on the outside of all cartons. Shipments arriving freight collect or without an RMA number shall be subject to refusal. CRESTRON reserves the right in its sole and absolute discretion to charge a 15% restocking fee plus shipping costs on any products returned with an RMA.
3. Return freight charges following repair of items under warranty shall be paid by CRESTRON, shipping by standard ground carrier. In the event repairs are found to be non-warranty, return freight costs shall be paid by the purchaser.

CRESTRON Limited Warranty

CRESTRON ELECTRONICS, Inc. warrants its products to be free from manufacturing defects in materials and workmanship under normal use for a period of three (3) years from the date of purchase from CRESTRON, with the following exceptions: disk drives and any other moving or rotating mechanical parts, pan/tilt heads and power supplies are covered for a period of one (1) year; touchscreen display and overlay components are covered for 90 days; batteries and incandescent lamps are not covered.

This warranty extends to products purchased directly from CRESTRON or an authorized CRESTRON dealer. Purchasers should inquire of the dealer regarding the nature and extent of the dealer's warranty, if any.

CRESTRON shall not be liable to honor the terms of this warranty if the product has been used in any application other than that for which it was intended or if it has been subjected to misuse, accidental damage, modification or improper installation procedures. Furthermore, this warranty does not cover any product that has had the serial number altered, defaced or removed.

This warranty shall be the sole and exclusive remedy to the original purchaser. In no event shall CRESTRON be liable for incidental or consequential damages of any kind (property or economic damages inclusive) arising from the sale or use of this equipment. CRESTRON is not liable for any claim made by a third party or made by the purchaser for a third party.

CRESTRON shall, at its option, repair or replace any product found defective, without charge for parts or labor. Repaired or replaced equipment and parts supplied under this warranty shall be covered only by the unexpired portion of the warranty.

Except as expressly set forth in this warranty, CRESTRON makes no other warranties, expressed or implied, nor authorizes any other party to offer any warranty, including any implied warranties of merchantability or fitness for a particular purpose. Any implied warranties that may be imposed by law are limited to the terms of this limited warranty. This warranty statement supersedes all previous warranties.

Trademark Information

All brand names, product names and trademarks are the sole property of their respective owners. Windows is a registered trademark of Microsoft Corporation. Windows95/98/Me/XP/Vista/7 and WindowsNT/2000 are trademarks of Microsoft Corporation.



Crestron Electronics, Inc.
15 Volvo Drive Rockleigh, NJ 07647
Tel: 888.CRESTRON
Fax: 201.767.7576
www.crestron.com

**Installation Guide – DOC. 7013A
(2027870)**

03.10

Specifications subject to
change without notice.