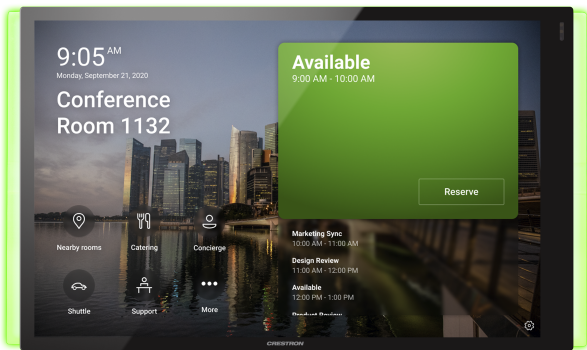


# TSS-1070-T-LB-MNT KIT

## 10.1 in. Room Scheduling Touch Screen for Microsoft Teams® Software with TSW-1070-LB and TSW-770/1070-MSMK-ANG



- *Touch screen designed specifically to run the Microsoft Teams® Panels scheduling application*
- *Delivers a superior and cost-effective alternative to consumer tablet devices*
- *10.1 in. (257 mm) widescreen capacitive touch screen display*
- *Standard U.S., U.K., and European electrical box installation with additional mounting options available*
- *Single wire Ethernet connection with PoE or PoE+ power*
- *Wi-Fi® network connectivity*
- *Dual USB 2.0 ports for room availability accessories*
- *Enterprise grade security and authentication*
- *Black smooth finish*
- *Includes one TSW-1070-LB series light bar and one TSW-770/1070-MSMK-ANG multisurface mount kit*

Crestron® TSS-1070 series touch screens are designed to enhance and simplify room scheduling across an enterprise. The TSS-1070 installs near a meeting room or huddle space to provide a clear indication of its availability and scheduling while integrating seamlessly with the Microsoft Teams® Panels scheduling application. Support for additional room scheduling services is also provided.

The TSS-1070-T-LB-MNT KIT includes one [TSW-1070-LB](#) series room availability light bar and one [TSW-770/1070-MSMK-ANG](#) multisurface mount kit with the touch screen, providing a complete room scheduling solution out of the box.

### Microsoft Teams Panels

The native Microsoft Teams Panels scheduling application helps to maximize productivity and manage usage for meeting spaces via Microsoft Teams. The touch screen can be configured to use the Microsoft Teams scheduling calendar, allowing users to book meetings through their Microsoft Teams account. If desired, the room can be reserved on the spot for an ad hoc meeting.<sup>1,2</sup>

**NOTE:** For more information on Microsoft Teams Panels, refer to <https://docs.microsoft.com/en-us/microsoftteams/devices/teams-panels>.

### Built for Enterprise Scheduling Applications

The TSS-1070 is engineered to meet the demands of a corporate office, conference center, or education environment. Its 10.1 in. (257 mm) capacitive display provides an intuitive user interface. A smaller 7 in. (178 mm) version ([TSS-770](#) series) is also available.

- **Functional:** The TSS-1070 provides a compact unit for scheduling applications that mounts over a standard electrical box or cutout. The TSS-1070 offers high-speed Ethernet and PoE/PoE+ connectivity, or, for deployments without access to Ethernet, can connect to the network over Wi-Fi® communications via a local wireless access point (WAP).
- **Versatile:** Crestron offers a variety of mounting options for mounting the TSS-1070 to drywall, masonry, glass, mullions, and other surfaces. Optional light bar and hallway sign accessories are available to increase the visibility of the room availability status.
- **Reliable:** The TSS-1070 is purpose-built for permanent installation and years of reliable 24/7 operation in a commercial environment. To ensure the latest features are available, the TSS-1070 checks nightly for app updates and loads the latest version automatically.
- **Secure:** The TSS-1070 employs enterprise-grade networking with robust security features such as 802.1X authentication, TLS encryption, HTTPS connectivity, and Active Directory® service integration. These features protect your network against service interruptions and malicious intrusions.
- **Manageable:** The TSS-1070 features cloud-based provisioning and management, which streamlines configuring, monitoring, and updating the touch screen on the network. The TSS-1070 also supports SNMP, so it can be monitored by your IT administrator.

### Status Indicator Options

The TSS-1070 provides dual high-speed USB 2.0 ports for connecting Crestron room scheduling accessories (sold separately) to the touch screen that enhance an enterprise room scheduling solution.

**NOTE:** The touch screen supports the use of a single light bar or status indicator accessory only. The [RFID-USB](#) card reader accessory can be connected to the second USB port.

# TSS-1070-T-LB-MNT KIT

## 10.1 in. Room Scheduling Touch Screen for Microsoft Teams® Software with TSW-1070-LB and TSW-770/1070-MSMK-ANG

- The included [TSW-1070-LB](#) series light bar provides a 180° visual indication of a room's availability status, illuminating green if the room is available and red when reserved, with options for custom color mixing and programming.<sup>3</sup>
- The optional [SSW-EL](#) and [SSC-EL](#) series hallway signs feature a two sided acrylic sign face that can be custom engraved with the room name or number. The [SIW-100](#) offers a lower profile wall mount status indicator.<sup>3</sup>

### Bluetooth Beacon

The built-in Bluetooth® proximity detection beacon works with the [Crestron Go App](#) and [Crestron App](#) to determine when a mobile device is in or near the same room as the beacon, and signals the mobile app to automatically display the appropriate controls and information for the room.<sup>4</sup>

### Proximity Sensor and Brightness Controls

The TSS-1070 provides a built-in proximity sensor that wakes the screen without requiring any user interaction, and automatic brightness controls ensure optimal visibility under varying lighting conditions.

### Power over Ethernet

PoE (Power over Ethernet) eliminates the need for a local power supply or any dedicated power wiring. [Crestron PoE switches](#) (sold separately) offer a total networking solution with built-in PoE for multiple touch screens. A PoE Injector ([PWE-4803RU](#), sold separately) is also available to support a single touch screen.

**NOTE:** PoE+ is required when connecting a light bar or hallway sign via USB. Refer to the "Power" specifications for more details.

### XiO Cloud Service

The TSS-1070 is compatible with the XiO Cloud® service, which remotely provisions, monitors, and manages Crestron devices across an enterprise or an entire client base. Built on the Microsoft® Azure® software platform and utilizing Microsoft's Azure IoT Hub technology, XiO Cloud enables installers and IT managers to deploy and manage thousands of devices simultaneously. Unlike other virtual machine-based cloud solutions, Azure services provide unlimited scalability. For more information, visit [www.crestron.com/xiocloud](http://www.crestron.com/xiocloud).

### Wall Mount Options

Using the bracket provided, the TSS-1070 is easily installed over a 2-gang or 3-gang US electrical box, or a 2-gang European or UK electrical box. A security latch option is included to deter unauthorized removal of the touch screen.

The included [TSW-770/1070-MSMK-ANG](#) multisurface mount kit also allows the TSS-1070 touch screen to be mounted directly to virtually any flat surface, which is ideal for mounting at a meeting space entrance for room scheduling applications.

Additional wall mounting options are available using the optional [TSW-UMB-70](#) universal mounting bracket, [TSW-UMB-70-PMK](#) preconstruction mounting kit, and [TSW-UMB-70-BBI](#) back box (sold separately).<sup>5</sup>

### Optional Mounting Accessories

The TSS-1070 supports numerous optional mounting accessories (sold separately) that allow the touch screen to be installed in all kinds of installations:

- The [TSW-770/1070-MUMK](#) allows the touch screen to be attached to the mullion of an interior glass wall, window, or partition.
- The [TSW-770/1070-RMB-1](#), [TSW-770/1070-RMB-2](#), and [TSW-1070-RMB-3](#) retrofit mounting brackets allow for retrofit installations in place of an older Crestron touch screen (APAD, CT-1000, LC-1000, TPS-4L, or TPS-2000L) without having to tear out the old mounting hardware or patch the wall.
- Though not typical for most scheduling applications, the [TSW-1070-RMK-2](#) rack mount kit can be used to mount the touch screen into a 19 in. rack. When installed, the touch screen occupies four rack spaces.

# TSS-1070-T-LB-MNT KIT

## 10.1 in. Room Scheduling Touch Screen for Microsoft Teams® Software with TSW-1070-LB and TSW-770/1070-MSMK-ANG

### Specifications

#### Room Scheduling Support

<b>Microsoft Teams® Panels</b>	Includes native support for Microsoft Teams Panels scheduling application <sup>1,2</sup>
<b>Additional Apps</b>	Includes support for Crestron and various third-party scheduling apps

#### Languages

<b>Crestron Fusion® Software</b>	Chinese (Simplified), Chinese (Traditional), Danish, Dutch (Netherlands), English (US), English (UK), French, German, Hebrew, Italian, Japanese, Korean, Norwegian, Portuguese (Brazil), Portuguese (Portugal), Russian, Spanish, Swedish
----------------------------------	---

#### Wired Communications

<b>Ethernet</b>	100 Mbps, auto switching, auto negotiating, auto discovery, full/half duplex, TCP/IP, UDP/IP, DHCP, SSL, TLS, SSH, SFTP (SSH File Transfer Protocol), IEEE 802.1X, SNMP, HTTPS, IPv4 or IPv6, Active Directory® service authentication, HTTPS web browser setup, XIO Cloud® client, IEEE 802.3at compliant
<b>USB</b>	USB 2.0 host for light bar or hallway sign <sup>3</sup>

#### Wireless Communications

<b>Transceiver</b>	IEEE 802.11a/b/g/n/ac Wi-Fi (2.4 or 5 GHz 2-way RF), static IP or dynamic IP via DHCP
<b>Security</b>	64 and 128-bit WEP, WPA and WPA2-PSK with TKIP and AES
<b>Range</b>	Up to 50 ft (15 m), subject to site-specific conditions
<b>Bluetooth® Hardware</b>	Crestron Bluetooth beacon <sup>4</sup>

#### Touch Screen Display

<b>Display Type</b>	TFT active matrix color LCD
<b>Size</b>	10.1 in. (257 mm) diagonal
<b>Aspect Ratio</b>	16:10 WUXGA
<b>Resolution</b>	1920 x 1200 pixels
<b>Brightness</b>	400 nits (cd/m <sup>2</sup> )
<b>Contrast</b>	1000:1
<b>Color Depth</b>	24 bit, 16.7M colors
<b>Illumination</b>	Edgelit LED with auto brightness control

<b>Viewing Angle</b>	±80° horizontal, ±80° vertical
<b>Touch Screen</b>	Projected capacitive, 5-point multitouch capable

#### Buttons

<b>Virtual Buttons</b>	(6) Virtual buttons in collapsible universal tool bar, per-button show/hide, preconfigured with icons for Power, Home, Lights, Up, Down, and Microphone
<b>Reset</b>	Pin hole on rear panel for hardware reset

#### Audio

<b>Features</b>	Built-in speakers for touch feedback and alerts
-----------------	---

#### Connectors

<b>LAN PoE</b>	(1) 8-pin RJ-45 connector, female, with 2 LED indicators; 100BASE-TX Ethernet port; PoE+ PD port; Green and yellow LEDs indicate Ethernet port status
<b>USB</b>	(2) USB Type A connectors, female; USB 2.0 host ports; For optional room scheduling accessories

**NOTE:** The touch screen supports the use of a single light bar or status indicator accessory. The [RFID-USB](#) card reader accessory can be connected to the second USB port.

#### Power

<b>PoE (Power over Ethernet)</b>	IEEE 802.3at Type 2 compliant PoE+ PD (Powered Device); Normally requests 15 W from an 802.3at Type 2 PSE with LLDP advanced power management; With room scheduling and USB enabled, requests 18 W from an 802.3at Type 2 PSE with LLDP; Requests 30 W (PoE+ Class 4) from an 802.3at Type 2 PSE without LLDP; Requests 15.4 W (PoE Class 0) from an 802.3af (or 802.3at Type 1) PSE
----------------------------------	--

**NOTE:** Enabling the USB port requires use of an 802.3at Type 2 PoE+ PSE.

# TSS-1070-T-LB-MNT KIT

## 10.1 in. Room Scheduling Touch Screen for Microsoft Teams® Software with TSW-1070-LB and TSW-770/1070-MSMK-ANG

### Environmental

Temperature	41 to 104°F (5 to 40°C)
Humidity	10% to 90% RH (noncondensing)
Heat Dissipation	49 BTU/hr

### Construction

Housing	Plastic, smooth black or white finish, edge-to-edge glass with black or white surround
Mounting	Surface mount over a 2 or 3-gang US electrical box, 2-gang European (DIN 49073) electrical box, or 2-gang UK (BS 4662) electrical box; Lectern mount over a 2 in. H x 3-3/4 in. W (51 mm H x 96 mm W) cutout; 1-3/8 in. (35 mm) minimum mounting depth; Multisurface mounting kit included; Wall mount, surface mount, and rack options available separately

### Dimensions

Height	5.87 in. (149 mm)
Width	10.18 in. (259 mm)
Depth	3.38 in. (86 mm) for surface mount; 3.66 in. (93 mm) for wall mount

### Weight

1.61 lb (730 g)

### Compliance

#### Regulatory Model: M201923003

IC, CE, FCC Part 15 Class B digital device

### Model

#### TSS-1070-T-B-S-LB-MNT KIT

10.1 in. Room Scheduling Touch Screen for Microsoft Teams® Software, Black Smooth, includes one TSW-1070-LB-B-S light bar and one TSW-770/1070-MSMK-ANG-B-S multisurface mount kit

### Included Accessories

#### TSW-1070-B-S-LB

Room Availability Light Bar for TSW-1070, Black Smooth  
*Qty 1 Included*

#### TSW-770/1070-MSMK-ANG-B-S

Multisurface Mount Kit for TSW-770 and TSW-1070 Series, Angled, Black Smooth  
*Qty 1 Included*

### Available Accessories

For supported accessories, visit the appropriate TSS-1070 product page at [www.crestron.com](http://www.crestron.com).

#### Notes:

- Microsoft determines the functionality and appearance of the Microsoft Teams® Panel room scheduling application. Refer to the Microsoft® website for more information.
- Additional subscriptions and/or licenses may be required. Refer to the Microsoft website for details about the capabilities and requirements of its scheduling application and services. The TSS-1070 cannot be interfaced with a control system and cannot be custom programmed for any other functionality. An internet connection is required.
- The TSS-1070 must be powered by a PoE+ power source when a light bar or hallway sign is connected. Refer to the Accessories section for a list of all available options. Refer to each accessory's spec sheet for further information.
- Bluetooth technology is used solely for proximity detection and does not transmit or receive any control, multimedia, or personal data. Crestron Bluetooth beacons are only visible to Bluetooth enabled devices that are specifically programmed and configured to work with them.
- The TSW-UMB-70 is also compatible with older TSW-UMB-PMK series preconstruction mounting kits and TSW-BBI series back boxes, allowing the TSS-1070 to be installed in place of a previous generation touch screen.

This product may be purchased from select authorized Crestron dealers and distributors. To find a dealer or distributor, please contact the Crestron sales representative for your area. A list of sales representatives is available online at [www.crestron.com/How-To-Buy/Find-a-Representative](http://www.crestron.com/How-To-Buy/Find-a-Representative) or contact us for additional information by visiting [www.crestron.com/contact/our-locations](http://www.crestron.com/contact/our-locations) for your local contact.

The original language version of this document is U.S. English. All other languages are a translation of the original document.

The product warranty can be found at [www.crestron.com/warranty](http://www.crestron.com/warranty).

The specific patents that cover Crestron products are listed online at [www.crestron.com/legal/patents](http://www.crestron.com/legal/patents).

Certain Crestron products contain open source software. For specific information, please visit [www.crestron.com/opensource](http://www.crestron.com/opensource).

Crestron, the Crestron logo, Crestron Fusion, and XiO Cloud are either trademarks or registered trademarks of Crestron Electronics, Inc. in the United States and/or other countries. Bluetooth is either a trademark or registered trademark of Bluetooth SIG, Inc. in the United States and/or other countries. Active Directory, Azure, and Microsoft Teams are either trademarks or registered trademarks of Microsoft Corporation in the United States and/or other countries. Wi-Fi is either a trademark or registered trademark of Wi-Fi Alliance in the United States and/or other countries. Other trademarks, registered trademarks, and trade names may be used in this document to refer to either the entities claiming the marks and names or their products. Crestron disclaims any proprietary interest in the marks and names of others. Crestron is not responsible for errors in typography or photography.

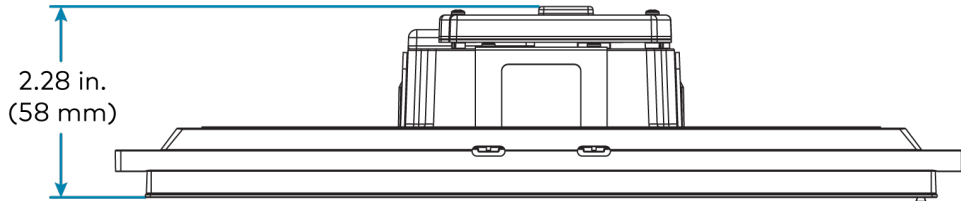
Specifications are subject to change without notice.

©2023 Crestron Electronics, Inc.

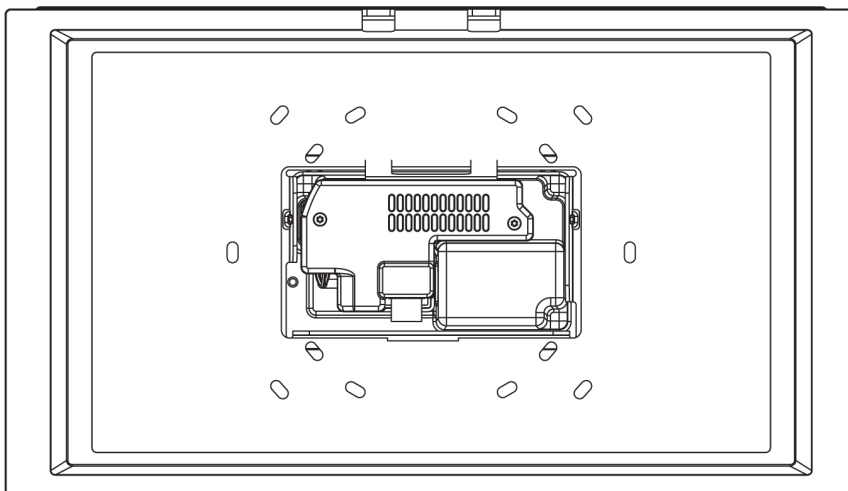
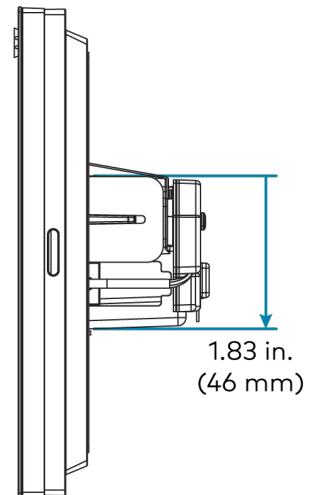
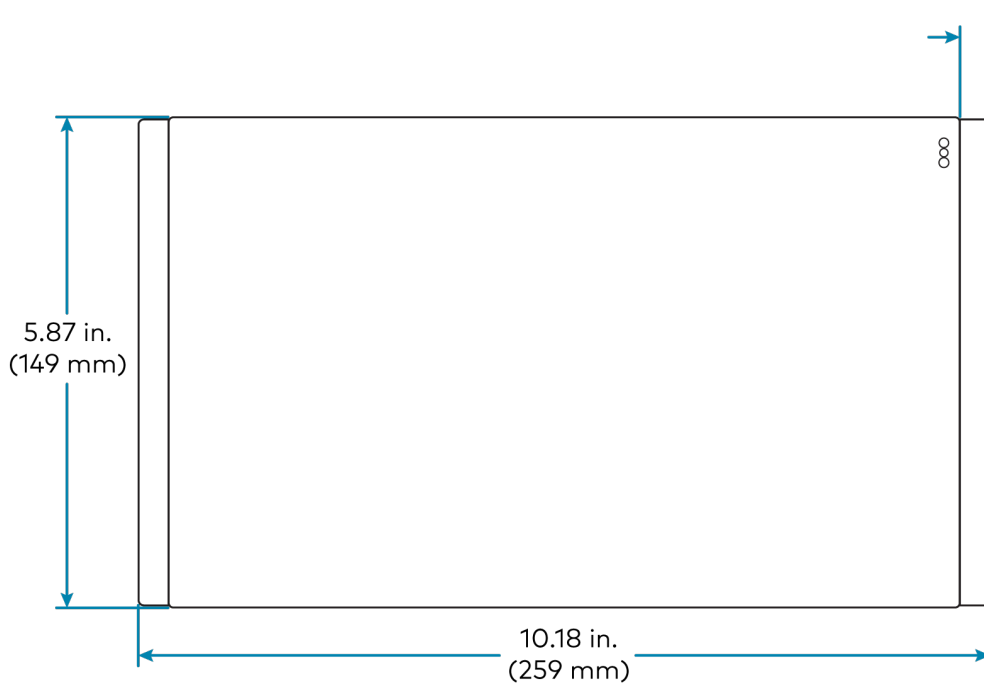
Rev 08/21/23

# TSS-1070-T-LB-MNT KIT

10.1 in. Room Scheduling Touch Screen for Microsoft Teams® Software with TSW-1070-LB and TSW-770/1070-MSMK-ANG

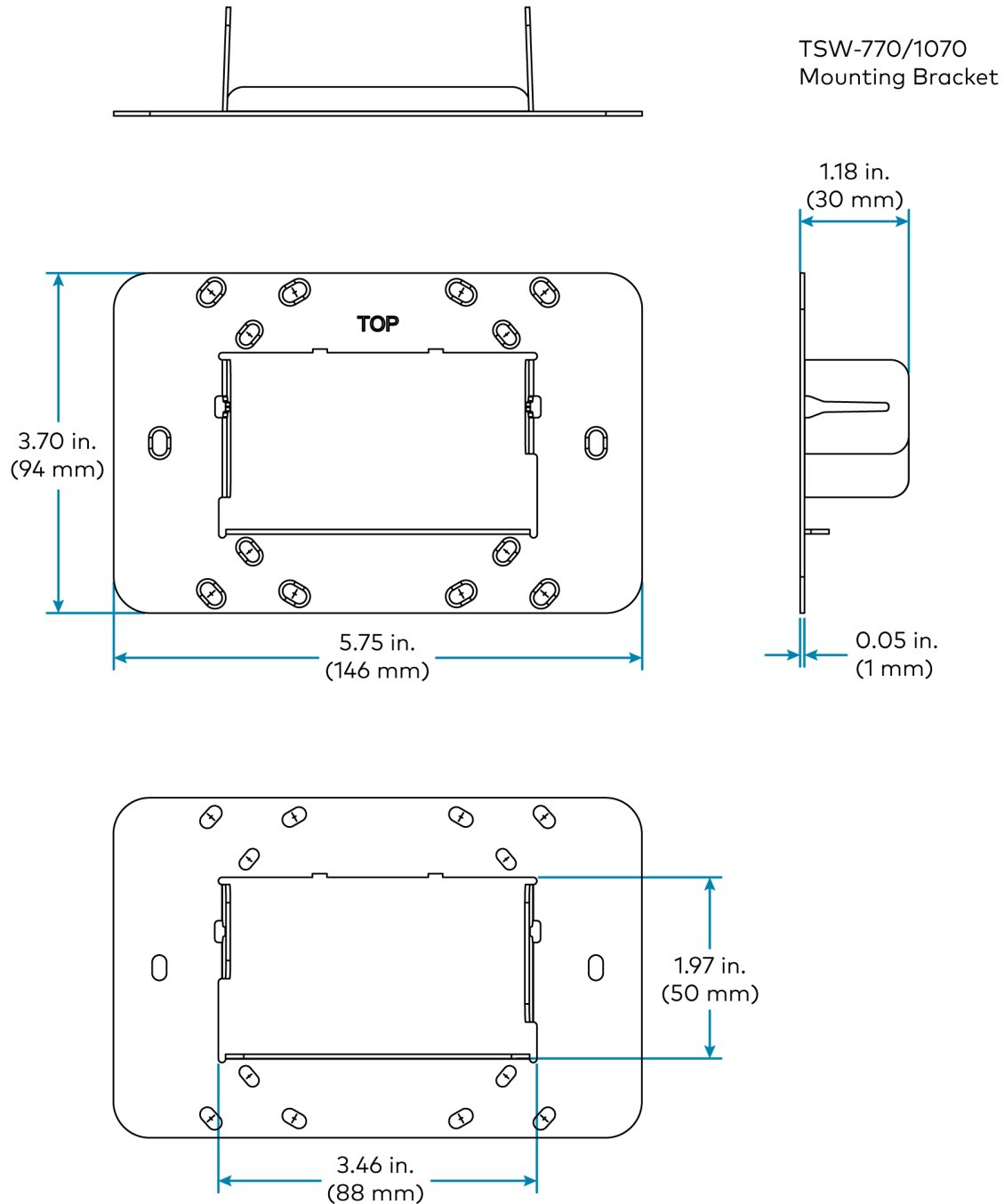


TSW-1070-LB with  
TSS-1070



# TSS-1070-T-LB-MNT KIT

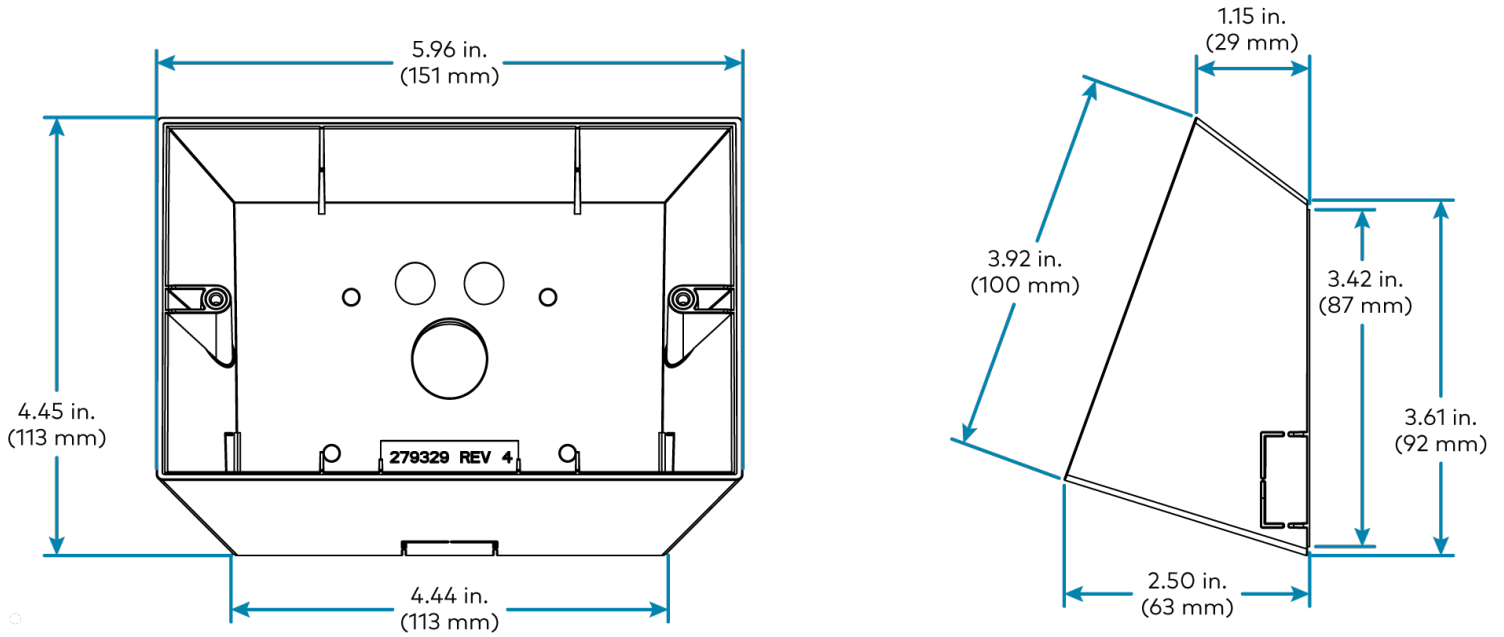
10.1 in. Room Scheduling Touch Screen for Microsoft Teams® Software with TSW-1070-LB and TSW-770/1070-MSMK-ANG



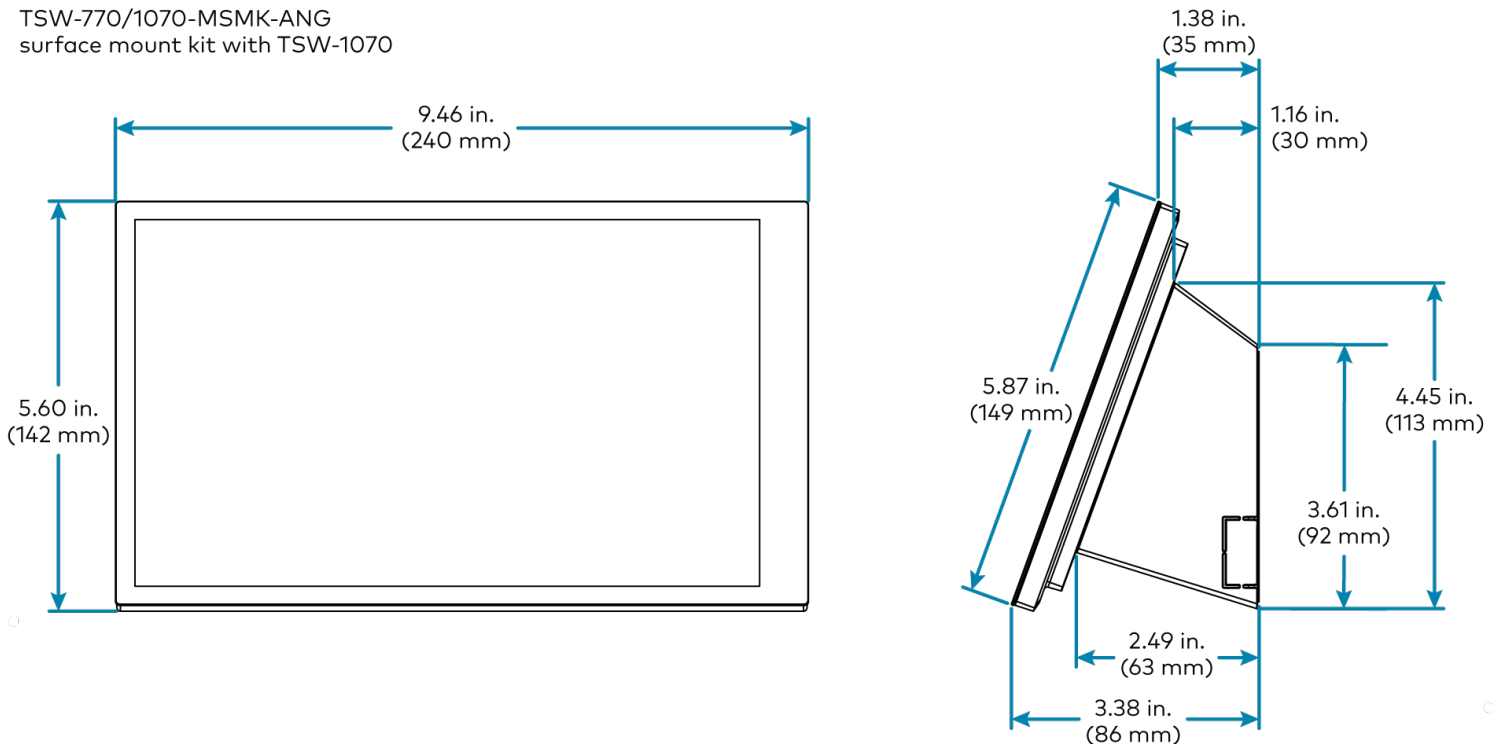
# TSS-1070-T-LB-MNT KIT

## 10.1 in. Room Scheduling Touch Screen for Microsoft Teams® Software with TSW-1070-LB and TSW-770/1070-MSMK-ANG

TSW-770/1070-MSMK-ANG  
surface mount kit without touch screen



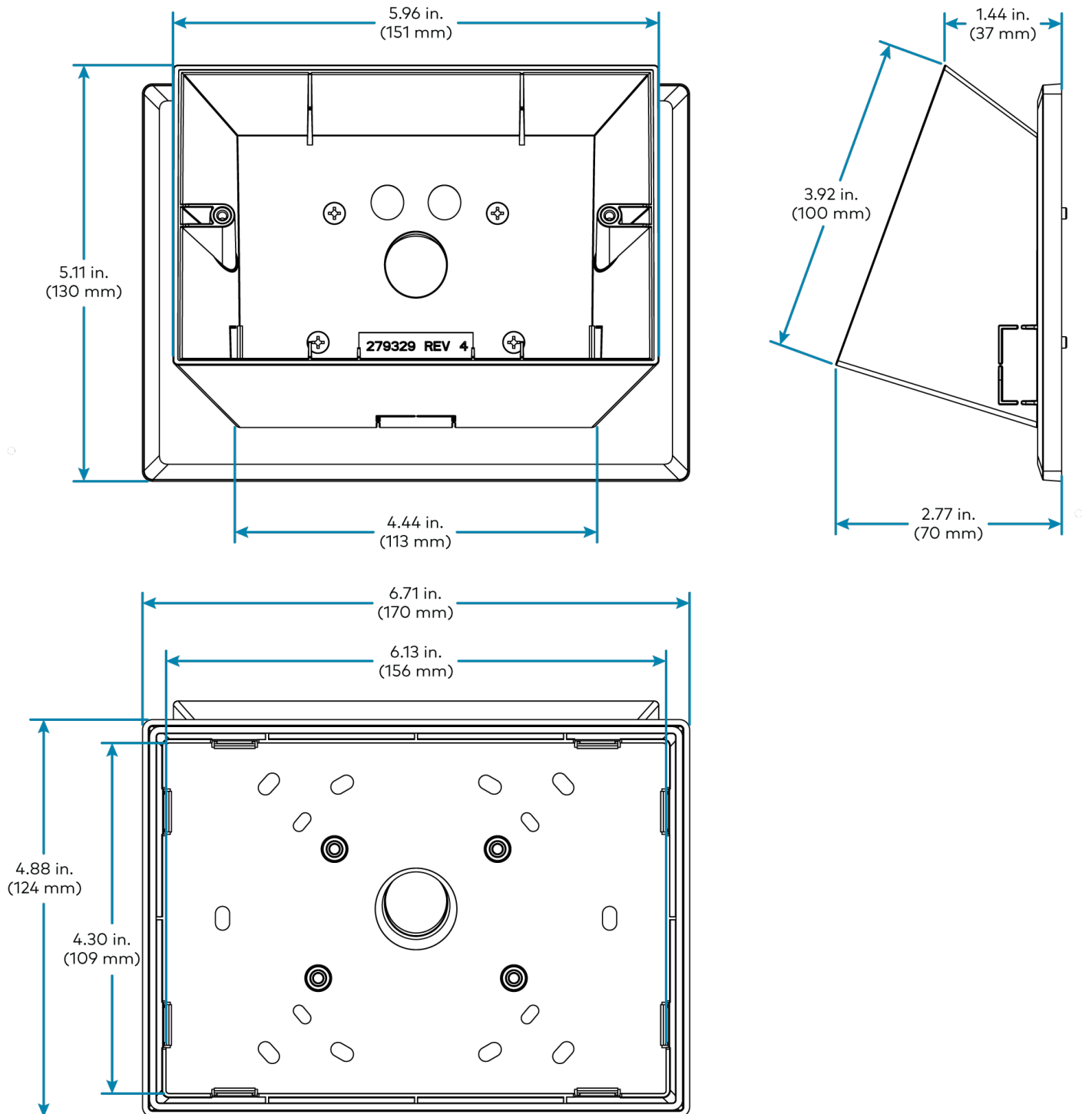
TSW-770/1070-MSMK-ANG  
surface mount kit with TSW-1070



# TSS-1070-T-LB-MNT KIT

10.1 in. Room Scheduling Touch Screen for Microsoft Teams® Software with TSW-1070-LB and TSW-770/1070-MSMK-ANG

TSW-770/1070-MSMK-ANG  
wall mount kit without touch screen





# TSS-1070-T-LB-MNT KIT

## 10.1 in. Room Scheduling Touch Screen for Microsoft Teams® Software with TSW-1070-LB and TSW-770/1070-MSMK-ANG

TSW-770/1070-MSMK-ANG  
wall mount kit with TSW-1070

