

**Crestron MP-FSIR**  
**FreeSpeech™ IR Beacon Sensor**  
**Installation Guide**



**Further Inquiries**

If you cannot locate specific information or have questions after reviewing this guide, please take advantage of Crestron's award winning customer service team by calling Crestron® at 1-888-CRESTRON [1-888-273-7876]. For assistance in your region, please refer to the Crestron Web site ([www.crestron.com](http://www.crestron.com)) for a listing of Crestron worldwide offices.

You can also log onto the online help section of the Crestron Web site ([www.crestron.com/onlinehelp](http://www.crestron.com/onlinehelp)) to ask questions about Crestron products. First-time users will need to establish a user account to fully benefit from all available features.

**Future Updates**

As Crestron improves functions, adds new features and extends the capabilities of the MP-FSIR, additional information may be made available as manual updates. These updates are solely electronic and serve as intermediary supplements prior to the release of a complete technical documentation revision.

Check the Crestron Web site periodically for manual update availability and its relevance. Updates are identified as an "Addendum" in the Download column.

**Crestron Electronics, Inc.**  
 15 Volvo Drive Rockleigh, NJ 07647  
 Tel: 888.CRESTRON  
 Fax: 201.767.7576  
[www.crestron.com](http://www.crestron.com)

**Installation Guide - DOC. 7163A**  
**(2030214)**  
**05.11**  
 Specifications subject to  
 change without notice.

**Regulatory Compliance**

As of the date of manufacture, the MP-FSIR has been tested and found to comply with specifications for CE marking and standards per EMC and Radiocommunications Compliance Labelling.



**DESCRIPTION**

The MP-FSIR IR Beacon Sensor mounts to a wall or to the ceiling to receive the infrared beacon signal from any FreeSpeech™ MP-FSMIC wireless microphone\*. It connects to an MP-FS-RX1 or MP-FS-RX2 receiver\* to sense when the wireless microphone is in the room and turned on.

**MP-FSIR**



\* Item(s) sold separately or as part of a MP-FS100\_PAK or MP-FS200\_PAK system

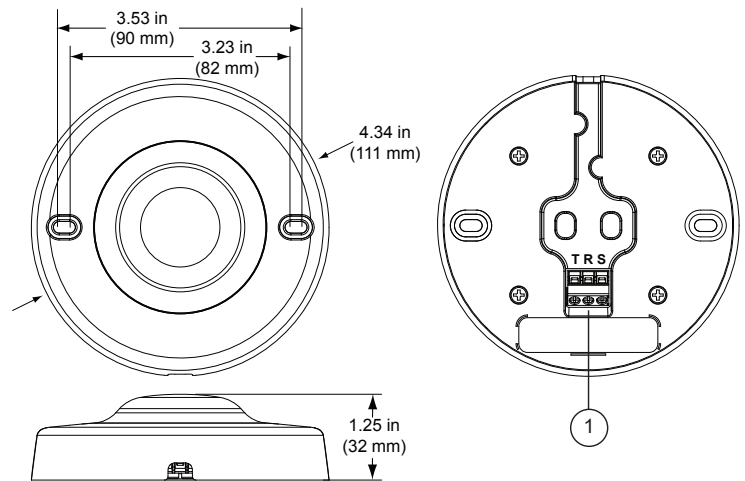
**SPECIFICATIONS**

Specifications for the MP-FSIR are listed in the following table.

**MP-FSIR Specifications**

SPECIFICATION	DETAILS
Wireless Communication IR Range (typical)	38 kHz 50 ft (~15 m) indoor, subject to site-specific conditions
Environmental Temperature Humidity	41° to 104° F (5° to 40° C) 10% to 90% RH (non-condensing)
Enclosure	Plastic, matte white, mounts to ceiling or other flat surface
Dimensions Height Diameter	1.25 in (32 mm) 4.34 in (111 mm)
Weight	4 oz (92 g)

**MP-FSIR Overall Dimensions**



**Connectors, Controls & Indicators**

#	CONNECTORS, CONTROLS & INDICATORS	DESCRIPTION
1	TRS	(1) 3-pin captive terminal block interface to MP-FS-RX1 or MP-FS-RX2 receiver.

## INSTALLATION

Installation of the MP-FSIR consists of the following:

1. Select a central wall or ceiling location that is not near fluorescent lighting or windows; avoid direct sunlight.
2. For maximum range, the preferred location for the MP-FSIR is within direct line of sight to the operating microphone.
3. The MP-FSIR can be mounted directly to a wall or to the ceiling using the supplied 1-1/2" 8-16 Phillips head screws and plastic wall anchors (if required), or it can be mounted to a single-gang electrical box or an octagonal electrical box. Refer to the diagram on the first page for mounting hole spacing.
4. Install a 3-conductor cable (minimum 24 AWG) up to 50 feet (~15 meters) maximum, between the MP-FSIR location and the MP-FS-RX1/RX2 location.

As an alternative, use Crestron's CBL-PWR-CTRL-P-TL-50 or equivalent cable.

**NOTE:** Up to two MP-FSIR units can be connected in parallel to each of the two MP-FS-RX1/RX2 BEACON SENSOR ports.

5. Connect the **T**, **R**, and **S** terminals of the MP-FSIR to the **T**, **R**, and **S** terminal positions of the supplied 3-pin detachable connector for the **BEACON SENSOR T**, **R**, and **S** terminals of the MP-FS-RX1 and MP-FS-RX2 receivers.

If using the CBL-PWR-CTRL-P-TL-50 cable, connect drain and black together to the **S** pin, connect red to **T** and white to **R**. Blunt cut both ends of the blue conductor and do not use.

If using a shielded cable, also connect the shield to the **S** pin at the receiver end only.

## Return and Warranty Policies

### Merchandise Returns / Repair Service

1. No merchandise may be returned for credit, exchange or service without prior authorization from CRESTRON. To obtain warranty service for CRESTRON products, contact an authorized CRESTRON dealer. Only authorized CRESTRON dealers may contact the factory and request an RMA (Return Merchandise Authorization) number. Enclose a note specifying the nature of the problem, name and phone number of contact person, RMA number and return address.
2. Products may be returned for credit, exchange or service with a CRESTRON Return Merchandise Authorization (RMA) number. Authorized returns must be shipped freight prepaid to CRESTRON, 6 Volvo Drive, Rockleigh, N.J. or its authorized subsidiaries, with RMA number clearly marked on the outside of all cartons. Shipments arriving freight collect or without an RMA number shall be subject to refusal. CRESTRON reserves the right in its sole and absolute discretion to charge a 15% restocking fee plus shipping costs on any products returned with an RMA.
3. Return freight charges following repair of items under warranty shall be paid by CRESTRON, shipping by standard ground carrier. In the event repairs are found to be non-warranty, return freight costs shall be paid by the purchaser.

### CRESTRON Limited Warranty

CRESTRON ELECTRONICS, Inc. warrants its products to be free from manufacturing defects in materials and workmanship under normal use for a period of three (3) years from the date of purchase from CRESTRON, with the following exceptions: disk drives and any other moving or rotating mechanical parts, pan/tilt heads and power supplies are covered for a period of one (1) year; touch screen display and overlay components are covered for 90 days; batteries and incandescent lamps are not covered.

This warranty extends to products purchased directly from CRESTRON or an authorized CRESTRON dealer. Purchasers should inquire of the dealer regarding the nature and extent of the dealer's warranty, if any.

CRESTRON shall not be liable to honor the terms of this warranty if the product has been used in any application other than that for which it was intended or if it has been subjected to misuse, accidental damage, modification or improper installation procedures. Furthermore, this warranty does not cover any product that has had the serial number altered, defaced or removed.

This warranty shall be the sole and exclusive remedy to the original purchaser. In no event shall CRESTRON be liable for incidental or consequential damages of any kind (property or economic damages inclusive) arising from the sale or use of this equipment. CRESTRON is not liable for any claim made by a third party or made by the purchaser for a third party.

CRESTRON shall, at its option, repair or replace any product found defective, without charge for parts or labor. Repaired or replaced equipment and parts supplied under this warranty shall be covered only by the unexpired portion of the warranty.

Except as expressly set forth in this warranty, CRESTRON makes no other warranties, expressed or implied, nor authorizes any other party to offer any warranty, including any implied warranties of merchantability or fitness for a particular purpose. Any implied warranties that may be imposed by law are limited to the terms of this limited warranty. This warranty statement supersedes all previous warranties.