

S-EXT1-S

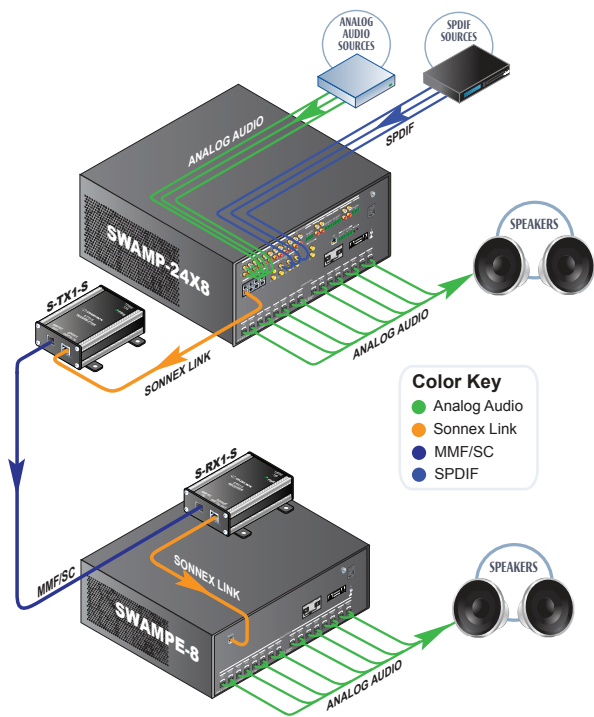
Sonnex® Link Over Fiber Extender

1 Introduction

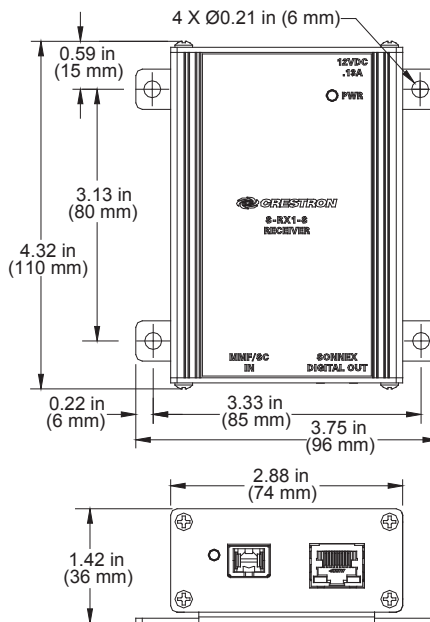
The Crestron® S-EXT1-S is an optional accessory for the Sonnex® Multiroom Audio System (SWAMP-24X8). It provides a solution for extending the Sonnex Link up to 2000 ft (610 m) over one multimode fiber strand. It is ideal for any application that requires running the Sonnex Link between a main house and guest house, pool house, or other outbuilding, providing high-performance signal extension, plus optical isolation against lightning surges and other electrical disturbances.

The S-EXT1-S is composed of one transmitter and one receiver (S-TX1-S and S-RX1-S, both included). Each component can be mounted discretely in the back of an equipment rack or to any suitable flat surface. Linking the two components requires just one run of Crestron CresFiber® 8G fiber optic cable (sold separately). Crestron offers a full line of rugged CresFiber cables and installation tools for a complete solution.

2 Application

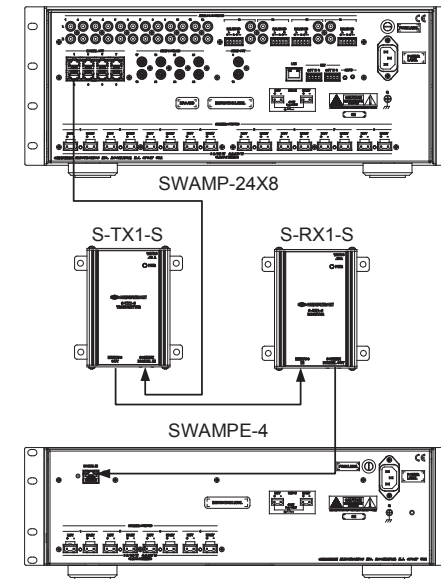


3 Physical Description



PART NAME	DESCRIPTION
MMF/SC OUT (S-TX1-S)	(1) SC female optical fiber connector; Sonnex Link over fiber output; Connects to MMF/SC IN port of the S-RX1-S
SONNEX DIGITAL IN (S-TX1-S)	(1) 8-wire RJ-45 female Sonnex Link input; Connects to SWAMP-24X8 Multiroom Audio System (sold separately)
MMF/SC IN (S-RX1-S)	(1) SC female optical fiber connector; Sonnex Link over fiber input; Connects to MMF/SC OUT port of the S-TX1-S
SONNEX DIGITAL OUT (S-RX1-S)	(1) 8-wire RJ-45 female Sonnex Link output; Connects to SWAMPE-4/8 Multiroom Audio Expander (sold separately)
12 VDC .13A (S-TX1-S & S-RX1-S)	(1) 2.5 x 5.5 mm dc power connector; 12 volt dc power input; Power pack included

4 Hardware Hookup



When connecting the devices, please observe the following:

- When connecting a SWAMP-24X8 to a S-TX1-S, Crestron recommends using Crestron DM-CBL-8G or high-quality CAT5e shielded twisted-pair cable. Shielded connectors such as the DM-8G-CONN must be used.
- When connecting the S-TX1-S to the S-RX1-S, use Crestron CRESFIBER8G, CRESFIBER, CRESFIBER-SINGLE-SC, or third-party OM2/OM3 multimode fiber optic cable. The maximum cable length is 2000 ft (610 m). CRESFIBER8G-SM-CONN-LC connectors must be used for termination.
- When connecting a S-RX1-S to a SWAMPE-4 or SWAMPE-8, Crestron recommends using Crestron DM-CBL-8G or high-quality CAT5e shielded twisted-pair cable. Shielded connectors such as the DM-8G-CONN must be used.
- Do not connect to a DigitalMedia™ network or device, or to any other network or device.

NOTE: All cables and connectors are sold separately.

5 Problem Solving

Troubleshooting

The following table provides corrective action for possible trouble situations. If further assistance is required, please contact a Crestron customer service representative.

TROUBLE	POSSIBLE CAUSE(S)	CORRECTIVE ACTION
Device does not work.	Power pack/packs not connected.	Verify that included power packs are connected to transmitter and receiver.
No sound from selected zone.	Zone is not selected.	Select zone for operation.
Signal not received by SWAMPE device.	Bad cable connection from SWAMP-24X8 to S-TX1-S or S-RX1-S to SWAMPE device.	Verify cable connection between devices.
	Bad fiber connection between S-TX1-S and S-RX1-S.	Verify fiber connection between S-TX1-S and S-RX1-S.

Further Inquiries

To locate specific information or resolve questions after reviewing this guide, contact Crestron's True Blue Support at 1-888-CRESTRON [1-888-273-7876] or, for assistance within a particular geographic region, refer to the listing of Crestron worldwide offices at www.crestron.com/offices.

To post a question about Crestron products, log onto Crestron's Online Help at www.crestron.com/onlinehelp. First-time users must establish a user account to fully benefit from all available features.

Future Updates

As Crestron improves functions, adds new features, and extends the capabilities of the S-EXT1-S, additional information may be made available as manual updates. These updates are solely electronic and serve as intermediary supplements prior to the release of a complete technical documentation revision.

Check the Crestron Web site periodically for manual update availability and its relevance. Updates are identified as an "Addendum" in the Download column.

The specific patents that cover Crestron products are listed at patents.crestron.com.

Crestron, the Crestron logo, CresFiber, DigitalMedia and Sonnex are trademarks or registered trademarks of Crestron Electronics, Inc. in the United States and/or other countries. Other trademarks, registered trademarks, and trade names may be used in this document to refer to either the entities claiming the marks and names or their products. Crestron disclaims any proprietary interest in the marks and names of others. *Crestron is not responsible for errors in typography or photography.*

This document was written by the Technical Publications department at Crestron.
© 2013 Crestron Electronics, Inc.