



Description

The Crestron® SSW-MUMK provides a versatile mounting solution for the Crestron SSW wall mounted room availability hallway sign. With the SSW-MUMK, the SSW can be installed to the mullion of an interior glass wall, window, or partition. The SSW-MUMK attaches to the left or the right inside surface of a vertical, hollow metallic mullion, and it supports a concealed USB connection between the SSW and a Crestron TSW-560, TSW-760, or TSW-1060 touch screen.

The SSW-MUMK also allows the SSW to be mounted directly onto glass, granite, marble, plaster, smooth stone and masonry, or almost any other flat surface using the included multisurface mounting parts.

Additional Resources

Visit the product page on the Crestron website (www.crestron.com) for additional information and the latest firmware updates. Use a QR reader application on your mobile device to scan the QR image.



Mullion Mounting

Use the following procedure to install the SSW-MUMK to a mullion:

1. Use the included cutout template to drill two 3/8" (10 mm) holes and one 5/8" (16 mm) center hole in the desired installation location on the mullion. The two 3/8" holes must be set 4-1/2" (114 mm) apart.

NOTE: For a completely flush installation, locate the drilled holes 1-7/10" (43 mm) back from the face of the mullion.

NOTE: Ensure that there is enough space between the drilled holes and the touch screen to run the USB cable (included with the SSW) from the touch screen up through the mullion to the SSW.

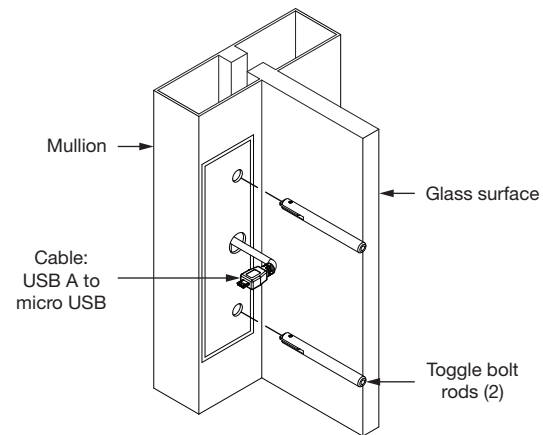
2. Once the holes are drilled, connect the USB A end of the SSW's USB cable to the USB port on the rear assembly of the touch screen, and then route the micro USB end of the cable up through the mullion so that it exits the center hole.

NOTE: If routing the USB A end of the cable from the mullion mount down through the mullion to the touch screen, expand the center drilled hole to 3/4" (19 mm).

NOTE: The SSW can also be connected to a Crestron control system or DMPS device using any standard Cresnet® network cable. Route the cable from the device and up through the mullion as described in the above step.

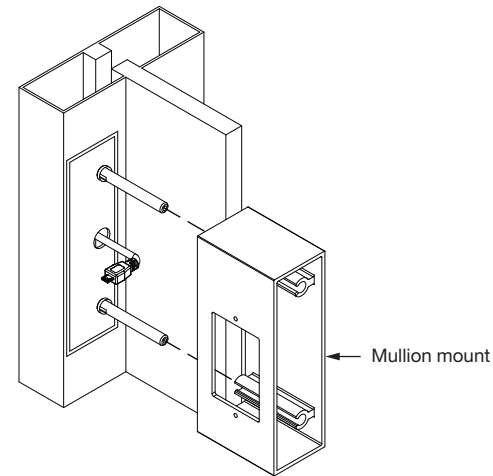
3. Insert the toggle bolt rods into the top and the bottom drilled holes in the mullion. Rotate the rods to ensure that the toggles securely engage the mullion so that they cannot be pulled out.

Inserting the Toggle Bolt Rods into the Mullion



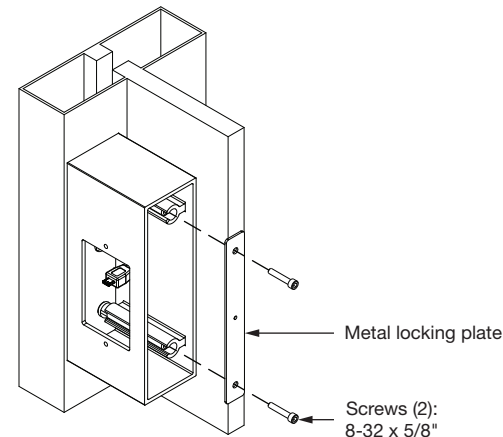
4. Place two of the included O-rings onto each of the toggle bolt rods, and then slide the O-rings over the rods until they are positioned against the mullion.
5. Thread the USB cable from the center hole of the mullion into the mullion mount and then out through the mount's 1-gang front opening. Once the cable is threaded, align the two slots inside the mullion mount with the toggle bolt rods, and then slide the mount across the rods until it is positioned against the mullion.

Attaching the Mullion Mount to the Toggle Bolt Rods



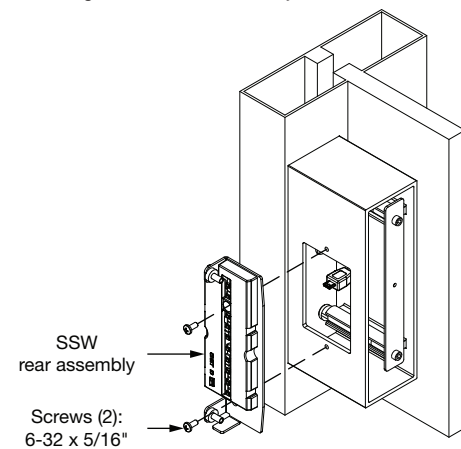
6. Secure the mullion mount to the toggle bolt rods with the metal locking plate. Use the included Allen wrench and the two 8-32 x 5/8" screws to attach the locking plate to the bolt rods.

Securing the Mullion Mount to the Toggle Bolt Rods



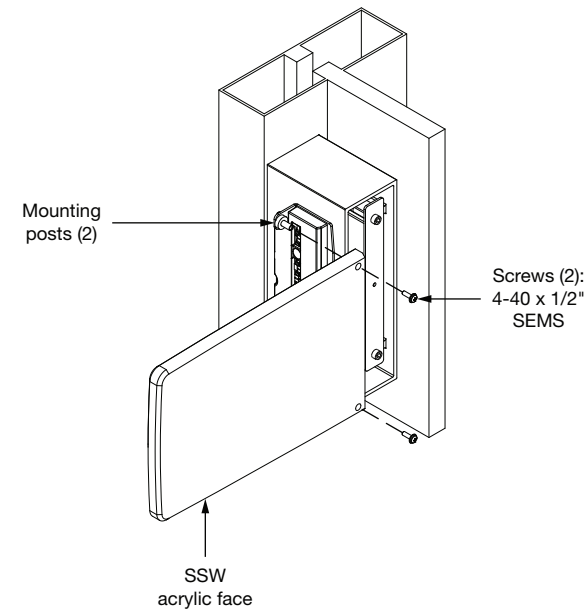
7. Connect the micro USB end of the USB cable to the micro USB port on the SSW's rear assembly, and then attach the assembly to the mullion mount's 1-gang opening using two 6-32 x 5/16" screws (included with the SSW) and a Phillips screwdriver (not included).

Attaching the SSW Rear Assembly to the Mullion Mount



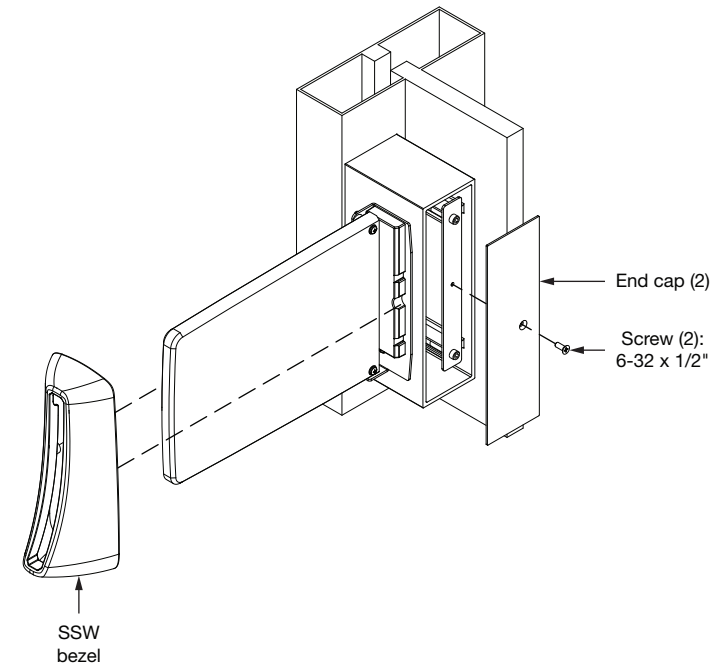
8. Align the two holes on the acrylic face with the mounting posts on the SSW rear assembly, and then push the acrylic face into the assembly so that the holes completely engage the posts. The acrylic face stays in place once it is hung onto the posts. Then, use the two 4-40 x 1/2" SEMS screws (included with the SSW) and a Phillips screwdriver to secure the acrylic face to the posts. Remove the plastic film from the acrylic face once it is secured.

Attaching the SSW Acrylic Face to the Rear Assembly



9. Carefully slide the SSW's bezel over the acrylic face and across the sign until the bezel magnetically locks into place. Then, secure one of the end caps to the mullion mount using one of the 6-32 x 1/2" screws and a Phillips screwdriver to complete the installation.

Completing the Installation



Surface Mounting

Use the following procedure to mount the touch screen onto a flat pane of glass or similar smooth surface (such as granite, marble, plaster, or smooth stone and masonry) using the included multisurface mounting parts.

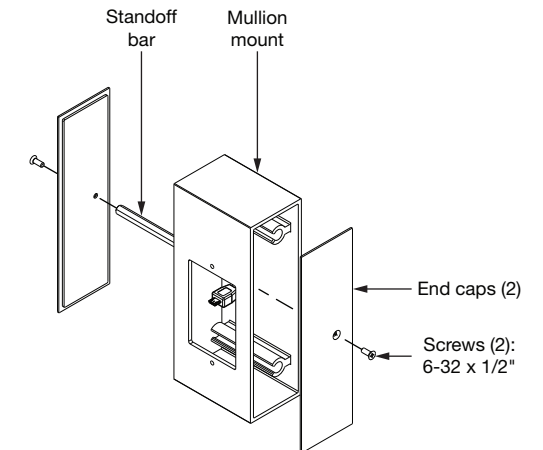
NOTE: Ensure that the mounting surface is free of debris and has been cleaned with a glass cleaning product that does not leave a film before attaching the mount to the surface.

1. Measure the size of the USB or Cresnet cable connector that is being run to the SSW, and then drill an appropriately sized hole into the top, bottom, or side of the mullion mount so that the connector can pass through. Then, route the appropriate cable connector from the power source into the mullion mount and out through the mount's 1-gang front opening.

NOTE: If running a cable to the side of the mullion mount, drill the hole for the cable connector into the appropriate end cap.

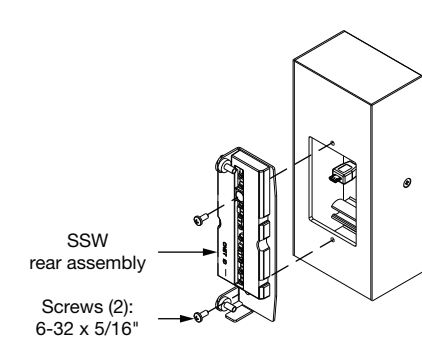
2. Attach one of the end caps to the hex standoff using one of the 6-32 x 1/2" screws. Then, place the end cap on one side of the mullion mount so that the standoff enters the mount, and attach the other end cap to the other side of the standoff using the other 6-32 x 1/2" screw.

Attaching the End Caps to the Mullion Mount



3. Connect the cable connector to the SSW's rear assembly, and then attach the assembly to the mullion mount's 1-gang opening using two 6-32 x 5/16" screws (included with the SSW) and a Phillips screwdriver (not included).

Attaching the SSW Rear Assembly to the Mullion Mount

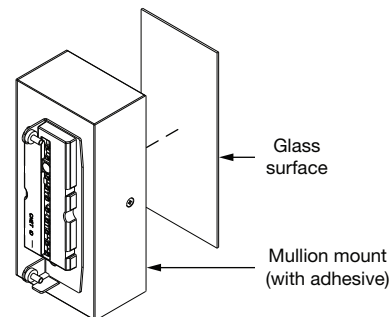


- Remove the backing from one side of the adhesive pad. After aligning the pad with the rear of the mullion mount, carefully attach the pad to the mount, starting with the bottom. Firmly press the pad to the mount to ensure proper adhesion and to ensure that any trapped air bubbles are eliminated.

CAUTION: The adhesive on both sides of the pad is high-strength bond. Once the adhesive comes in contact with a surface, it cannot be easily removed.

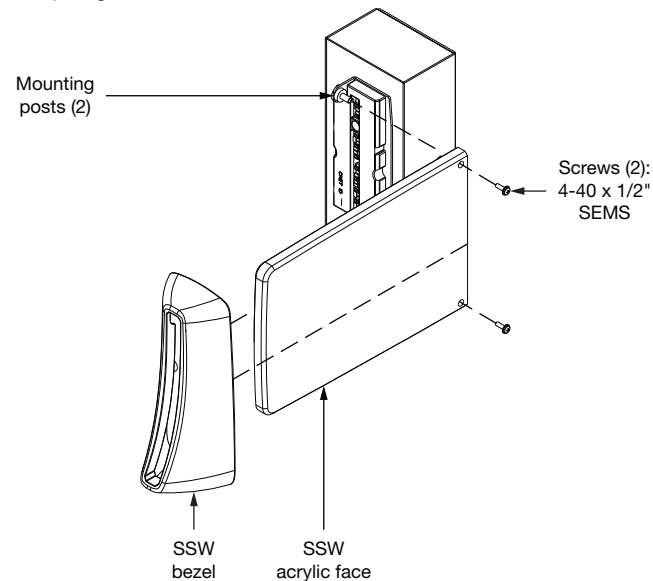
- After thoroughly cleaning the mounting surface, use a level (not included) to carefully tape a horizontal reference line on the mounting surface.
- Remove the backing from the other side of the adhesive pad. Then, hold the mullion mount at a 45-degree angle to the mounting surface, and then carefully align the lower edge of the mount with the taped reference line. Do not allow the adhesive on the rear of the mount to come in contact with the mounting surface.
- Once the mullion mount is level and aligned with the taped reference line, carefully attach the mount to the mounting surface, starting with the bottom near the taped reference line. Firmly press the mount to the surface to ensure proper adhesion and to ensure that any trapped air bubbles are eliminated.

Attaching the Mullion Mount to the Mounting Surface



- Align the two holes on the acrylic face with the mounting posts on the SSW rear assembly, and then push the acrylic face into the assembly so that the holes completely engage the posts. The acrylic face stays in place once it is hung onto the posts. Then, use the two 4-40 x 1/2" SEMS screws (included with the SSW) and a Phillips screwdriver to secure the acrylic face to the posts. Remove the plastic film from the acrylic face once it is secured.
- Carefully slide the SSW's bezel over the acrylic face and across the sign until the bezel magnetically locks into place.

Completing the Installation



The product warranty can be found at www.crestron.com/warranty.

The specific patents that cover Crestron products are listed at patents.crestron.com.

Certain Crestron products contain open source software. For specific information, please visit www.crestron.com/opensource.

Crestron, the Crestron logo, and Cresnet are either trademarks or registered trademarks of Crestron Electronics, Inc. in the United States and/or other countries. Other trademarks, registered trademarks, and trade names may be used in this document to refer to either the entities claiming the marks and names or their products. Crestron disclaims any proprietary interest in the marks and names of others. Crestron is not responsible for errors in typography or photography.

This document was written by the Technical Publications department at Crestron.

©2017 Crestron Electronics, Inc.

Crestron Electronics, Inc.
15 Volvo Drive Rockleigh, NJ 07647
Tel: 888.CRESTRON
Fax: 201.767.7576
www.crestron.com

Installation Guide - DOC. 7974C
(2048294)
06.17

Specifications subject to
change without notice.