

FT2A-PWR-UK-1-C14

AC Power Outlet Module for FT2 Series, UK, C14 Inlet Installation Guide



Description

The Crestron® FT2A-PWR-UK-1-C14 module provides one UK-style ac power outlet for use with the FT2 series of FlipTop™ cable management devices. The module may be used to power laptops and other ac-powered devices at the table.

The FT2A-PWR-UK-1-C14 module is suitable for use in the United Kingdom, Singapore, Saudi Arabia, and other countries or regions where Plug Type G power outlets are used.

Additional Resources

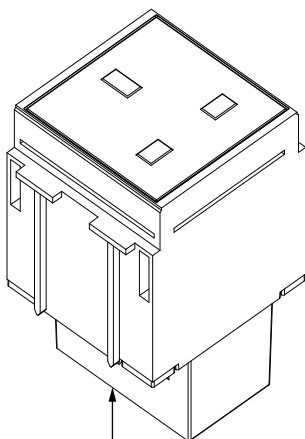
Visit the product page on the Crestron website (www.crestron.com) for additional information and the latest firmware updates. Use a QR reader application on your mobile device to scan the QR image.



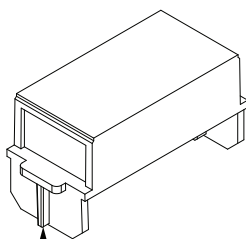
Overview

The FT2A-PWR-UK-1-C14 has the following specifications:

- Each FT2A-PWR-UK-1-C14 module provides one UK Type G ac power outlet that is rated for 10 A (total) at 220–240 Vac, 50/60 Hz.
- An IEC C-14 socket is provided on the bottom of each module, which is used to connect the module to a power source via an IEC power cord rated for 10 A or better (not included).
- One blank plate is provided with the FT2A-PWR-UK-1-C14 module for use with low-profile power cords. Refer to the note below.

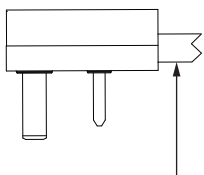


FT2A-PWR-UK-1-C14 module



Blank plate

NOTE: If low-profile power cords are expected to be used with the FT2A-PWR-UK-1-C14 module, ensure that the provided blank plate is installed to the right of the module.



Low-profile power cord must clear top of FT2 series bezel

Each module is 1.97 x 1.97 in (50 x 50 mm) and occupies two empty module spaces in an FT2 series assembly.

Installation

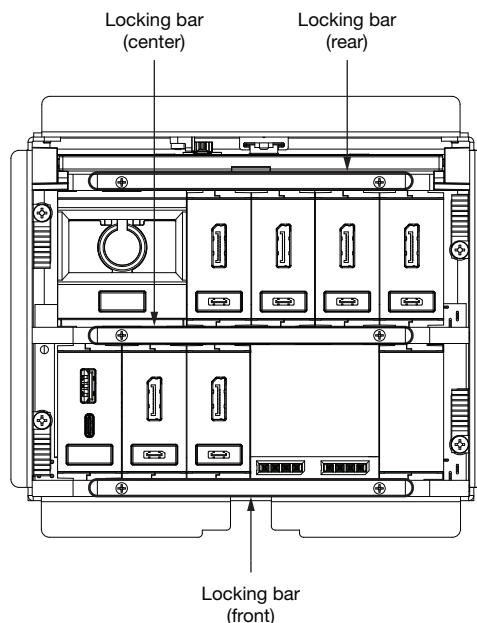
Use the following procedure to install the FT2A-PWR-UK-1-C14 module into an FT2 series assembly.

If the FT2A-PWR-UK-1-C14 module is being installed as part of a new FT2 series FlipTop device installation, proceed to step 3 below.

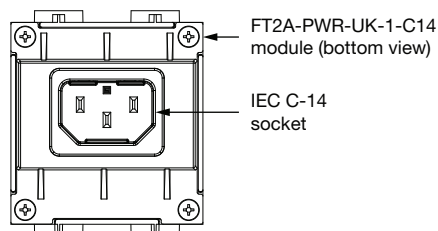
Install the FT2A-PWR-UK-1-C14 Module

1. Remove the magnetic bezel from the FT2 series assembly by grasping the inside of the bezel and pulling it up and away firmly from the assembly until the magnetic hold is broken.
2. Unscrew and remove the two locking bars that secure the module row required for installation.

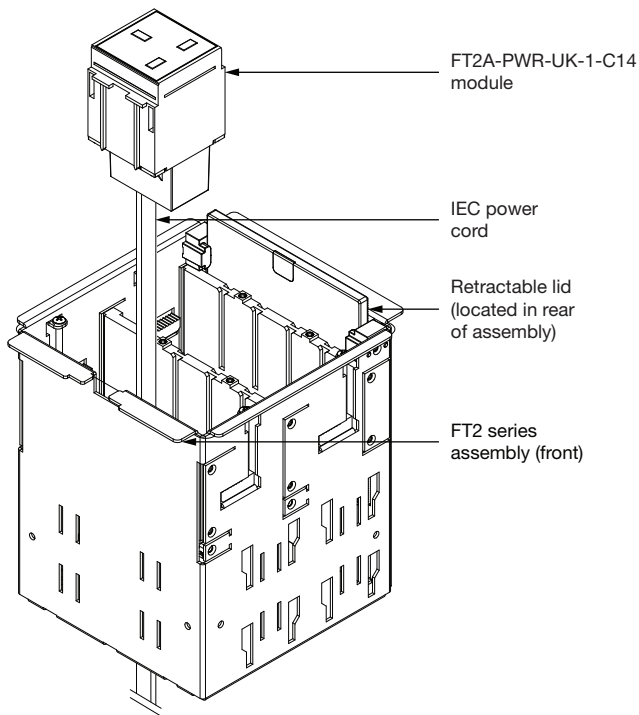
For example, if installing the FT2A-PWR-UK-1-C14 module in the front row of an FT2-700 series FlipTop device, remove the front and center locking bars.



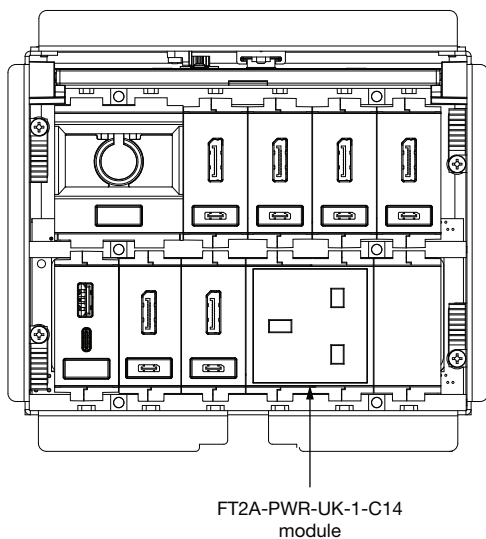
3. Connect an IEC power cord (rated for 10 A or better) to the IEC C-14 socket on the bottom of the FT2A-PWR-UK-1-C14 module.



- Orient the module so that it is facing toward the front of the FT2 series assembly as shown in the illustration below.



- Feed the IEC power cord attached to the module down through the appropriate module spaces in the FT2 series assembly.
- Slide the module into the appropriate module spaces in the FT2 series assembly. Use the guide ribs on the front and rear of the module to help position the module in the assembly.

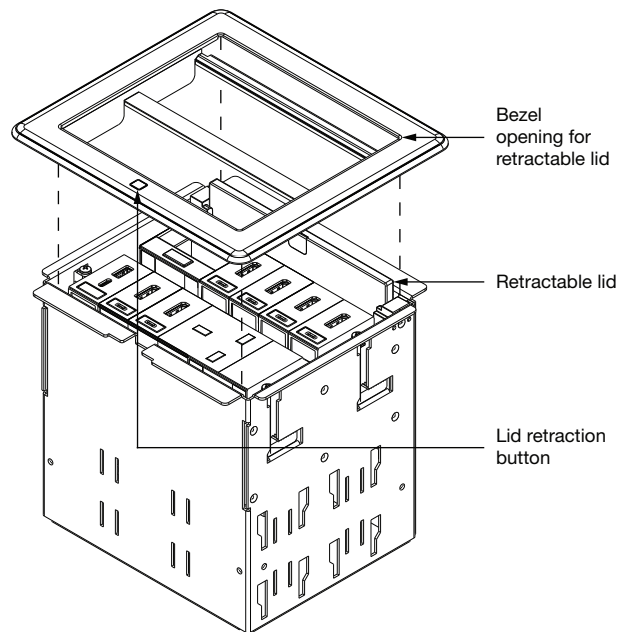


Complete the Installation

- Once all modules and plates are installed and level with their surroundings, place the removed locking bars back into position so that the screws attached to either side of each locking bar engage their screw holes in the FT2 series assembly.
- Using a manual torque screwdriver set to its lowest possible setting, hand tighten the locking bar screws until the locking bars are secured to the assembly.

CAUTION: Do not overtighten the locking bar screws.

- Hold the magnetic bezel over the FT2 series assembly so that the lid retraction button on the bezel is aligned with the front of the assembly.
- Lower the bezel onto the assembly so that the lowered retractable lid fits inside the rear opening in the bezel and the magnets snap into place against the assembly. Refer to the illustration below.



As of the date of manufacture, the product has been tested and found to comply with specifications for CE marking.



The product warranty may be found at www.crestron.com/legal/sales-terms-conditions-warranties.

The specific patents that cover Crestron products are listed at www.crestron.com/legal/patents.

Certain Crestron products contain open source software. For specific information, please visit www.crestron.com/legal/open-source-software.

Crestron, the Crestron logo, and FlipTop are either trademarks or registered trademarks of Crestron Electronics, Inc. in the United States and/or other countries. Other trademarks, registered trademarks, and trade names may be used in this document to refer to either the entities claiming the marks and names or their products. Crestron disclaims any proprietary interest in the marks and names of others. Crestron is not responsible for errors in typography or photography.

This document was written by the Technical Publications department at Crestron.

©2018 Crestron Electronics, Inc.

Crestron Electronics, Inc.
15 Volvo Drive, Rockleigh, NJ 07647
Tel: 888.CRESTRON
Fax: 201.767.7576
www.crestron.com

Installation Guide - DOC. 8342A
(2052162)
07.18

Specifications subject to
change without notice.