

# ZUMMESH-NETBRIDGE

## Zūm™ Wireless Network Bridge

The Crestron® ZUMMESH-NETBRIDGE adds enhanced integration and setup capabilities to a Zūm space. It provides Zūm Net wireless communication with a ZUM-FLOOR-HUB (not included) to enable every space in the building to be centrally monitored, managed, and controlled as part of a complete Zūm commercial lighting solution.

The ZUMMESH-NETBRIDGE also provides Bluetooth® connectivity to allow room setup using a mobile device running the Zūm app.

**NOTE:** Only one ZUMMESH-NETBRIDGE can be installed per Zūm space.

### Check the Box

Item	Qty
ZUMMESH-NETBRIDGE	1

### The Zūm App

The Zūm app is available for download from the App Store® app in iTunes® software or from the Google Play™ store. The Zūm app provides setup of a Zūm space using a mobile device.

### Installation

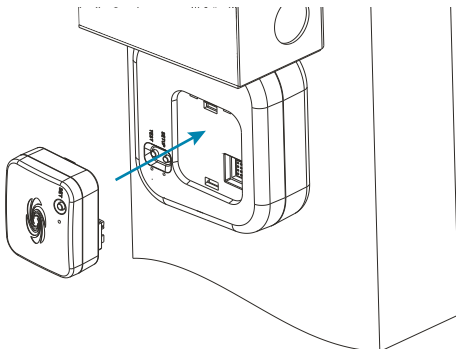
The ZUMMESH-NETBRIDGE snaps onto the expansion port of a ZUMMESH-JBOX device (not included).

**NOTES:** Observe the following points.

- Install and use this product in accordance with appropriate electrical codes and regulations.
- This meets the requirements of UL® standard 2043 for installation in an environmental air-handling (plenum) space.
- Ensure that the ZUMMESH-NETBRIDGE is installed within range of the ZUMNET-GATEWAY.

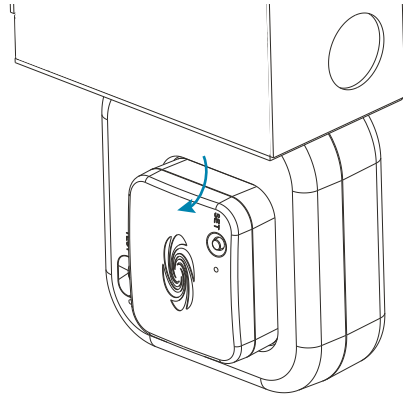
#### Install the ZUMMESH-NETBRIDGE

1. Insert a flat-head screwdriver into the slot next to the cover and pry up to remove the cover from the ZUMMESH-JBOX.
2. Align the ports on the ZUMMESH-NETBRIDGE and the ZUMMESH-JBOX device, and then insert the network bridge into the ZUMMESH-JBOX device. The network bridge snaps into place.



#### Remove the ZUMMESH-NETBRIDGE

1. Place your thumb on the side of the ZUMMESH-NETBRIDGE that is nearest the J-box.
2. Press the ZUMMESH-NETBRIDGE away from the J-box. While pressing on the side of the ZUMMESH-NETBRIDGE, slightly lift your thumb up. The ZUMMESH-NETBRIDGE should easily detach from the J-box device.



### Join a Zūm Net Network

The ZUMMESH-NETBRIDGE communicates with a ZUMNET-GATEWAY using Zūm Net wireless communications.

#### Join a Zūm Net Network:

1. Press the **ACQUIRE** button on the ZUMNET-GATEWAY to place the gateway into Acquire mode.
2. Press the **SET** button on the ZUMMESH-NETBRIDGE four times. **DO NOT** release the button after the fourth press. Hold the **SET** button until the LED flashes once (up to 10 seconds) and then release the button. The SET LED slowly flashes to indicate that it is searching for a network to join.
  - The SET LED lights for 5 seconds when the network bridge successfully joins the gateway.
  - The SET LED flashes quickly to indicate that the network bridge failed to join the gateway. Press the **SET** button to acknowledge the failure and then repeat this procedure.
3. Press the **ACQUIRE** button on the ZUMNET-GATEWAY to exit Acquire mode.

#### Leave a Zūm Net Network:

1. Verify that the ZUMMESH-NETBRIDGE is not within range of a ZUMNET-GATEWAY that is in Acquire mode.
2. Press the **SET** button on the ZUMMESH-NETBRIDGE four times. **DO NOT** release the button after the fourth press. Hold the **SET** button until the LED flashes once (up to 10 seconds) and then release the button. The LED flashes slowly.
3. The SET LED then flashes quickly to indicate that the device has left the Zūm Net wireless network.
4. Press the **SET** button to confirm that the device has left the ZUMNET-GATEWAY's wireless network



## Verifying Communications Status

To check the communications status of the device, press the **SET** button on the ZUMMESH-NETBRIDGE four times. DO NOT release the button after the fourth press. Hold the **SET** button for less than 2 seconds and then release the button. The red SET LED indicates the communications status. Refer to the following table for details.

LED	Communications Status
Red LED turns on for 5 seconds	The device is communicating with the ZUMNET-GATEWAY and ZUM-FLOOR-HUB.
Red LED flashes three times	The device is communicating with the ZUMNET-GATEWAY, but the gateway is not communicating with the ZUM-FLOOR-HUB.
Red LED flashes twice	The device was previously joined to the network but is not communicating with the ZUMNET-GATEWAY.
Red LED flashes once	The device is not joined to the ZUMNET-GATEWAY.

## LED Indicator

The SET LED indicates the current status of the ZUMMESH-NETBRIDGE.

LED	Status
Green - Solid	The ZUMMESH-NETBRIDGE is acquired to the gateway and RF communications are stable.
Red - Solid	The ZUMMESH-NETBRIDGE is not acquired to a gateway.
Red/Green - Flashing	The ZUMMESH-NETBRIDGE was acquired to the gateway but RF communications have been lost.

## Additional Information

Scan or click the QR code for detailed product information.



ZUMMESH-NETBRIDGE

## Compliance and Legal

**Original Instructions:** The U.S. English version of this document is the original instructions. All other languages are a translation of the original instructions.

As of the date of manufacture, the product has been tested and found to comply with specifications for CE marking.



This product is Listed to applicable UL® Standards and requirements tested by Underwriters Laboratories Inc. Ce produit est homologué selon les normes et les exigences UL applicables par Underwriters Laboratories Inc.



### Federal Communications Commission (FCC) Compliance Statement

This device complies with Part 15 of the FCC Rules. Operation is subject to the following two conditions: (1) This device may not cause harmful interference, and (2) This device must accept any interference received, including interference that may cause undesired operation.

**CAUTION:** Changes or modifications not expressly approved by the manufacturer responsible for compliance could void the user's authority to operate the equipment.

**NOTE:** This equipment has been tested and found to comply with the limits for a Class B digital device, pursuant to part 15 of the FCC Rules. These limits are designed to provide reasonable protection against harmful interference in a residential installation. This equipment generates, uses and can radiate radio frequency energy and if not installed and used in accordance with the instructions, may cause harmful interference to radio communications. However, there is no guarantee that interference will not occur in a particular installation. If this equipment does cause harmful interference to radio or television reception, which can be determined by turning the equipment off and on, the user is encouraged to try to correct the interference by one or more of the following measures:

- Reorient or relocate the receiving antenna
- Increase separation between the equipment and the receiver
- Connect the equipment into an outlet on a circuit different from that to which the receiver is connected
- Consult the dealer or an experienced radio/TV technician for help

This equipment complies with FCC radiation exposure limits set forth for an uncontrolled environment. This equipment should be installed and operated with minimum distance 20cm between the radiator and your body. This transmitter must not be co-located or operating in conjunction with any other antenna or transmitter.

### Industry Canada (IC) Compliance Statement

CAN ICES-3(B)/NMB-3(B)

This equipment complies with IC RSS-102 radiation exposure limits set forth for an uncontrolled environment. This equipment should be installed and operated with minimum distance 20cm between the radiator and your body.

Cet équipement est conforme aux limites d'exposition aux radiations IC CNR-102 établies pour un environnement non contrôlé. Cet équipement doit être installé et utilisé avec une distance minimale de 20 cm entre le radiateur et votre corps.

L'émetteur/récepteur exempt de licence contenu dans le présent appareil est conforme aux CNR d'Innovation, Sciences et Développement économique Canada applicables aux appareils radio exempts de licence. L'exploitation est autorisée aux deux conditions suivantes :

- L'appareil ne doit pas produire de brouillage;
- L'appareil doit accepter tout brouillage radioélectrique subi, même si le brouillage est susceptible d'en compromettre le fonctionnement.

The product warranty can be found at [www.crestron.com/warranty](http://www.crestron.com/warranty).

The specific patents that cover Crestron products are listed at [www.crestron.com/legal/patents](http://www.crestron.com/legal/patents).

Certain Crestron products contain open source software. For specific information, please visit [www.crestron.com/opensource](http://www.crestron.com/opensource).

Crestron, the Crestron logo, and Züm are either trademarks or registered trademarks of Crestron Electronics, Inc. in the United States and/or other countries. App Store and iTunes are either trademarks or registered trademarks of Apple Inc. in the United States and/or other countries. Bluetooth is either a trademark or registered trademark of Bluetooth SIG, Inc. in the United States and/or other countries. Google Play is either a trademark or registered trademark of Google Inc. in the United States and/or other countries. UL and the UL logo are either trademarks or registered trademarks of Underwriters Laboratories, Inc. in the United States and/or other countries. Other trademarks, registered trademarks, and trade names may be used in this document to refer to either the entities claiming the marks and names or their products. Crestron disclaims any proprietary interest in the marks and names of others. Crestron is not responsible for errors in typography or photography.

©2019 Crestron Electronics, Inc.

**Crestron Electronics, Inc.**  
15 Volvo Drive, Rockleigh, NJ 07647  
Tel: 888.CRESTRON  
Fax: 201.767.7576  
[www.crestron.com](http://www.crestron.com)

**Quick Start - Doc. 7955C  
(2053726)  
04.19**

Specifications subject to change without notice.