

HD-TX3-C

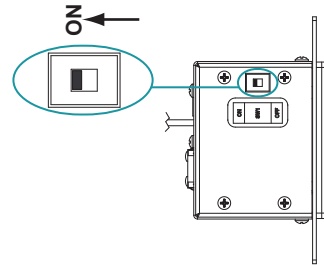
4K HDMI® over HDBaseT® Transmitter

1 Introduction

The Crestron® HD-TX3-C connects directly to an HDBaseT® compliant display device or receiver, enabling the transmission of high-definition digital video and audio signals up to 330 feet (100 meters) over a single CAT5e cable. 4K video is supported up to 230 feet (70 meters). When used with the HD-RX3-C receiver, the HD-TX3-C also transmits RS-232 and IR control signals.

2 SW1 DIP Switch Setting

The SW1 DIP switch on the HD-TX3-C controls the hot plug detect (HPD) signal. Before installing the HD-TX3-C, locate the SW1 DIP switch on the left side of the unit and observe that the switch is set in the ON position (default setting). When set to ON, the HPD signal is sent from the display device to the source device on the HD-TX3-C.



NOTE: The OFF position of the SW1 DIP switch is reserved for factory use only.

3 Mounting

Mount the HD-TX3-C in any of the following ways as appropriate for the installation:

- In a 1-gang electrical box
- On a flat surface
- On a rack rail

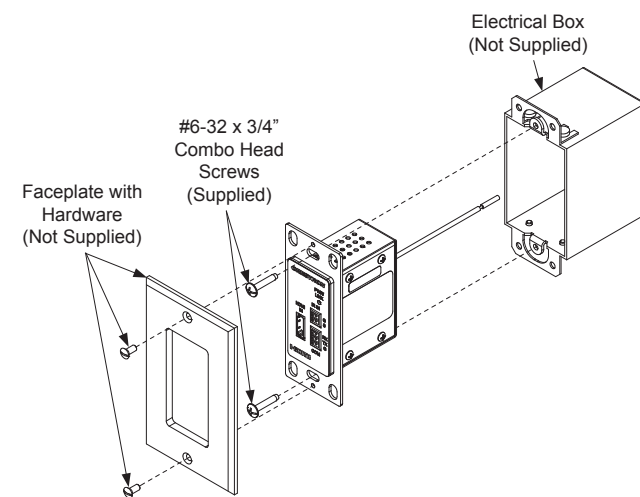
Mounting the HD-TX3-C in a 1-Gang Electrical Box

NOTE: The recommended depth of the electrical box (not supplied) is a minimum of 2.5 inches (64 mm).

NOTE: Connect the rear of the HD-TX3-C as described in section 4 before mounting the unit in an electrical box.

Do the following:

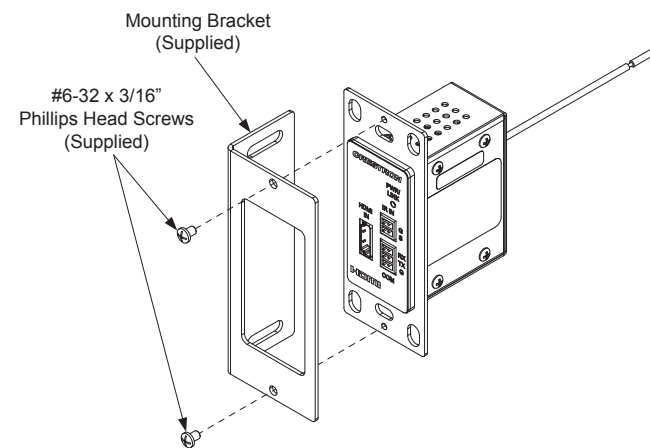
1. Using two #6-32 x 3/4 inch combo head screws (supplied), mount the HD-TX3-C in a 1-gang electrical box.
2. Attach the desired decorator style faceplate (not supplied).



Mounting the HD-TX3-C on a Flat Surface

Do the following:

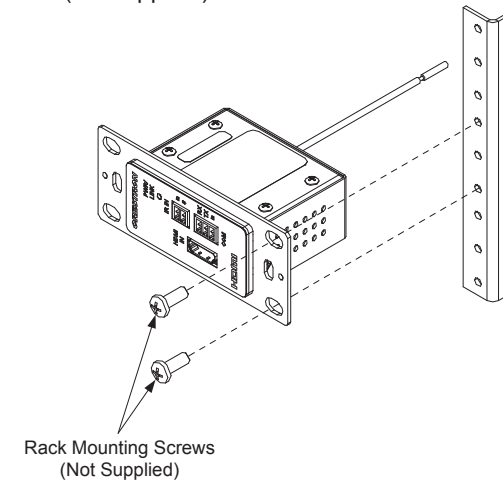
1. Using the appropriate hardware (not supplied), attach the mounting bracket (supplied) to a flat surface.
2. Using two #6-32 x 3/16 inch Phillips head screws (supplied), attach the transmitter to the bracket.



Mounting the HD-TX3-C on a Rack Rail

Mount the HD-TX3-C on the front or rear rail of a rack as follows:

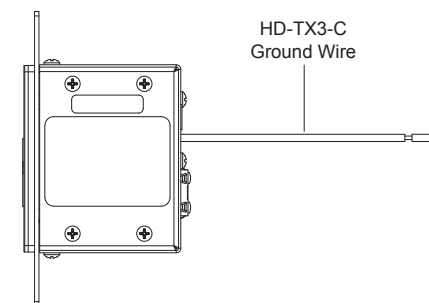
1. Position the HD-TX3-C horizontally so that the holes of the left or right mounting flange align with the holes in the rack (mounting of right mounting flange is shown below).
2. Secure the device to the rack using two rack mounting screws (not supplied).



4 Connections

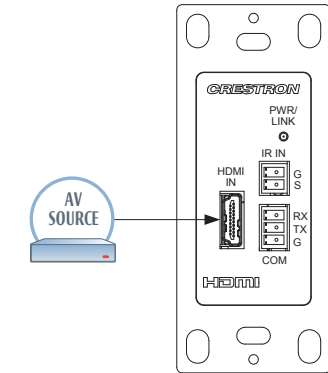
Connecting to Ground

Connect the ground wire on the HD-TX3-C to earth ground (building steel).



Connecting the HDMI IN Port

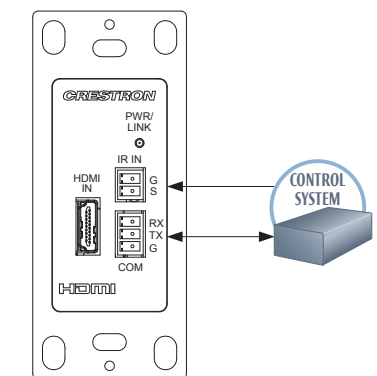
Using an HDMI® cable (not supplied), connect the HDMI IN port to the HDMI output port of the audio/video source.



Connecting the Control Ports

Connect the IR IN or COM control port or both as follows:

- **IR IN:** Using an IR cable (not supplied), connect the 2-pin terminal block of the IR IN port to the IR output port of the control system.
- **COM (RS-232):** Using a data communications cable (not supplied), connect the 3-pin terminal block of the COM port to the COM port of the control system.



HD-TX3-C

4K HDMI® over HDBaseT® Transmitter

Connecting the HDBaseT OUT Port

Connect the HDBaseT **OUT** port to any of the following:

- HDBaseT **IN** port on the HD-RX3-C
- DM 8G+™ input of a DM® switcher or DM 8G+ receiver
- Third-party HDBaseT compliant display device

For resolutions up to 1600 x 1200 and 1920 x 1200 (including 1080p60 and 2K), maximum wire length is 330 feet (100 meters) using Crestron DM-CBL-8G, DM-CBL, DM-CBL-D, or third-party CAT5e (or better) UTP or STP cable. For higher resolutions (including 4K), maximum wire length is 230 feet (70 meters) using DM-CBL-8G or 165 feet (50 meters) using DM-CBL, DM-CBL-D, or third-party CAT5e cable. (All wire and cables are sold separately.)

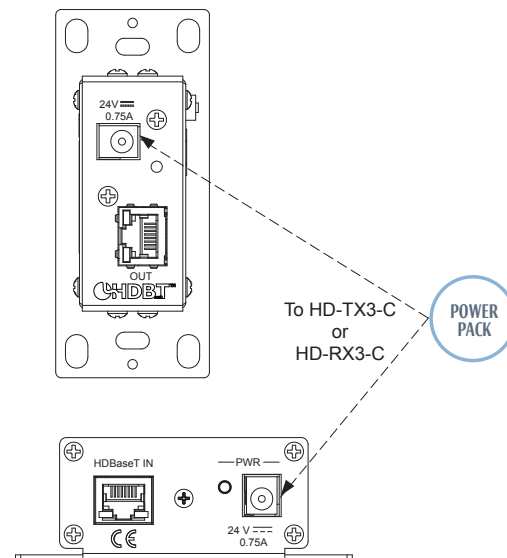
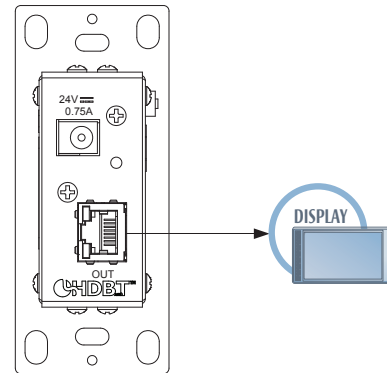
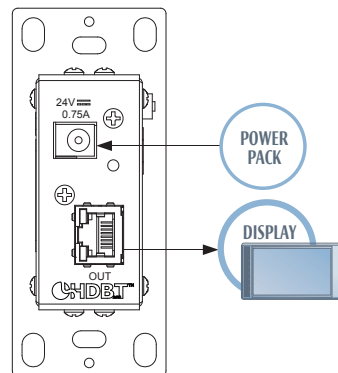
NOTE: Shielded cable and connectors are recommended to safeguard against unpredictable environmental electrical noise that may impact performance at resolutions above 1080p.

DM-CBL-8G cable is recommended for optimum performance and ESD (electrostatic discharge) protection.

Connecting the 24 Vdc Power Connector

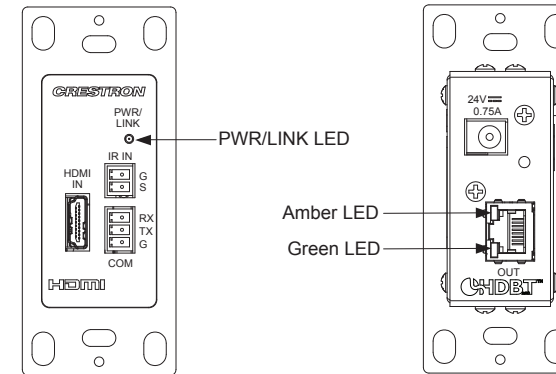
Connect the 24 Vdc power connector as follows:

- If the HD-TX3-C connects to an HD-RX3-C, connect only one 24 Vdc power pack (supplied) to either the HD-TX3-C or HD-RX3-C. Only one power pack is required to power both the HD-TX3-C and HD-RX3-C. Power is transmitted over the cable that connects the HDBaseT ports of the HD-TX3-C and HD-RX3-C.
- If the HD-TX3-C connects to a DM 8G+ input or to a third-party HDBaseT compliant display, connect the supplied power pack to the HD-TX3-C.



5 LED Indicators

LED indicators are provided on the HD-TX3-C.



LED INDICATOR	COLOR	DESCRIPTION
PWR/LINK	Blinking green	The HD-TX3-C is powered on but a link is not established with the HD-RX3-C, DM 8G+, or third-party HDBaseT compliant device.
	Solid green	The HD-TX3-C is powered on and a link is established with the HD-RX3-C, DM 8G+, or third-party HDBaseT compliant device; however, HDMI video is not detected on the HDMI input of the connected device.
	Solid amber	The HD-TX3-C is powered on and a link is established with the HD-RX3-C, DM 8G+, or HDBaseT compliant device. In addition, devices connected to the HDMI ports of the HD-TX3-C and HD-RX3-C, DM 8G+, or third-party HDBaseT compliant device are connected and powered on.
	Off	The HD-TX3-C is not powered on.
HDBaseT OUT	Green	A link is established with the HD-RX3-C, DM 8G+, or third-party HDBaseT compliant device.
	Blinking amber	Non-HDCP video is detected.
	Solid amber	HDCP video is detected.
	Amber off	HDMI video is not detected.

The specific patents that cover Crestron products are listed at patents.crestron.com.

Crestron, the Crestron logo, DM, and DM 8G+ are either trademarks or registered trademarks of Crestron Electronics, Inc. in the United States and/or other countries. HDBaseT and the HDBaseT Alliance logo are either trademarks or registered trademarks of the HDBaseT Alliance in the United States and/or other countries. HDMI and the HDMI logo are either trademarks or registered trademarks of HDMI Licensing LLC in the United States and/or other countries. Other trademarks, registered trademarks, and trade names may be used in this document to refer to either the entities claiming the marks and names or their products. Crestron disclaims any proprietary interest in the marks and names of others. *Crestron is not responsible for errors in typography or photography.* ©2014 Crestron Electronics, Inc.

For regulatory compliance information, refer to Doc. 7483.

QUICKSTART DOC. 7482B (2035789) 05.14

www.crestron.com

888.273.7876

201.767.3400

Specifications subject to change without notice.

