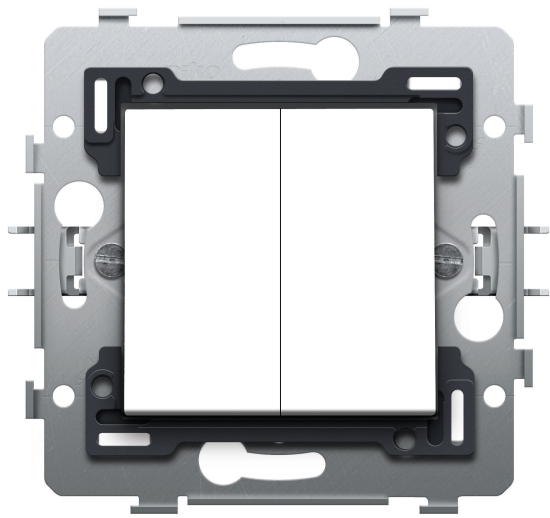


Dual Button Keypad



Other available colors not shown

- *Seamless integration with CLWI, NIKO, and MPI-WP product ranges*
- *UK and European wall box mountable*
- *Gangable for custom wall applications*
- *Available in Anthracite, Black, Champagne, White, and White Steel*

The NIKO-K2 is a dual button keypad used to connect to the contact closure inputs of a Crestron® control system. It provides a familiar look and feel to match the CLWI, NIKO, and MPI-WP product lines.

Contact Closure Inputs

The NIKO-K2 has three terminals to connect to the contact closure inputs of a Crestron control system.

Mounting

The NIKO-K2 can be mounted to a European or UK wall box. The NIKO-K2 can also be flush mounted using the integrated mounting claws, which compensate for irregularities in the drywall. The NIKO-K2 mechanism includes four grooves for screw mounting on the horizontal or vertical axis, and it includes four screw holes for mounting on panels.

Multi-gang Installation

The NIKO-K2 can be vertically or horizontally coupled with several switches. For vertical coupling, the bases easily slide into each other and automatically lock into place. For horizontal base coupling, the two pre-formed lips at the bottom can be folded down so one mechanism perfectly fits with another.

Specifications

Control

Two push buttons to be used as buttons or switches

Connectors

L1, 1, 1', L2, 2, 2' (6) screw terminals;
10 A/250 VAC maximum;
Accepts up to 2 x 3 mm² (0.08 x 0.10 in.²) of wire

Enclosure

Mounting Requires a 1-gang European (DIN 49073) or UK (BS4662) electrical wall box.

Construction Rigid PC and ASA;
Self-extinguishing (complies with 650°C filament test)

Dimensions

Width 45 mm (1.77 in.)

Height 45 mm (1.77 in.)

Depth 18 mm (0.71 in.);
Projects 9 mm (0.33 in.) from the wall when mounted

Compliance

CE, LV, RoHS, IP41, IK06

Models

NIKO-K2-120 KIT

NIKO-K2-122 KIT

NIKO-K2-154 KIT

NIKO-K2-157 KIT

NIKO-K2-161 KIT

Available Accessories

NOTE: Faceplate not included. Choose from one of the below product lines for an available faceplate.

FP-INTENSE

Intense Faceplates for CLWI and NIKO keypads

FP-PURE

Pure Faceplates for CLWI and NIKO keypads

Dual Button Keypad

This product may be purchased from select authorized Crestron dealers and distributors. To find a dealer or distributor, please contact the Crestron sales representative for your area. A list of sales representatives is available online at www.crestron.com/How-To-Buy/Find-a-Representative or by calling 855-263-8754.

This product is covered under the Crestron standard limited warranty. Refer to www.crestron.com/warranty for full details.

The specific patents that cover Crestron products are listed online at patents.crestron.com.

Certain Crestron products contain open source software. For specific information, please visit www.crestron.com/opensource.

Crestron and the Crestron logo are either trademarks or registered trademarks of Crestron Electronics, Inc. in the United States and/or other countries. Other trademarks, registered trademarks, and trade names may be used in this document to refer to either the entities claiming the marks and names or their products. Crestron disclaims any proprietary interest in the marks and names of others. Crestron is not responsible for errors in typography or photography.

Specifications are subject to change without notice.

©2019 Crestron Electronics, Inc.

Rev 07/30/19