

Crestron **SMK-V15**
Swivel Mount Kit
for V12-TILT and V15-TILT

Installation Guide



This document was prepared and written by the Technical Documentation department at:



Regulatory Compliance

As of the date of manufacture, the SMK-V15 has been tested and found to comply with specifications for CE marking and standards per EMC and Radiocommunications Compliance Labelling.



The specific patents that cover Crestron products are listed at patents.crestron.com.

Crestron and the Crestron logo are either trademarks or registered trademarks of Crestron Electronics, Inc. in the United States and/or other countries. Other trademarks, registered trademarks and trade names may be used in this document to refer to either the entities claiming the marks and names or their products. Crestron disclaims any proprietary interest in the marks and names of others.

©2012 Crestron Electronics, Inc.

Contents

Swivel Mount Kit for V12-TILT and V15-TILT: SMK-V15	1
Introduction	1
Features and Functions	1
Specifications	2
Physical Description	2
Setup	3
Supplied Hardware	3
Installation	3
Resources	9
Further Inquiries	9
Future Updates	9
Return and Warranty Policies	10
Merchandise Returns / Repair Service	10
Crestron Limited Warranty	10

Swivel Mount Kit for V12-TILT and V15-TILT: SMK-V15

Introduction

The SMK-V15 Swivel Mount Kit is an optional mounting accessory for the V12-TILT and V15-TILT V-Panel 12" and 15" Wall Mount Touch Screen displays. The swivel mount provides a means of permanently mounting the touch screen base to a table, desk or counter top surface while retaining the ability to rotate it for optimal positioning. The swivel range can be customized using optional limiting screws, with a maximum of 330-degree rotation allowed.

The swivel mount may be installed on any flat, level surface with a thickness of 1 inch (25 mm) minimum to 1 3/8 inch (35 mm) maximum. Wiring may be routed through the center of the swivel mount, passing beneath the mounting surface for a completely hidden appearance.

Features and Functions

- Designed for attachment to the V12-TILT and V15-TILT touch screens
- Swivel mount increases security by reducing chance of theft while improving viewing convenience
- Base rotates 330 degrees
- Mounts on the desktop, in a lectern or on a conference table
- Accommodates surface thickness from 1 inch (25 mm) minimum to 1 3/8 inches (35 mm) maximum, using the hardware provided
- Cables route through center of assembly, keeping cables completely hidden from work surface
- Customizable swivel range for added security and convenience

Specifications

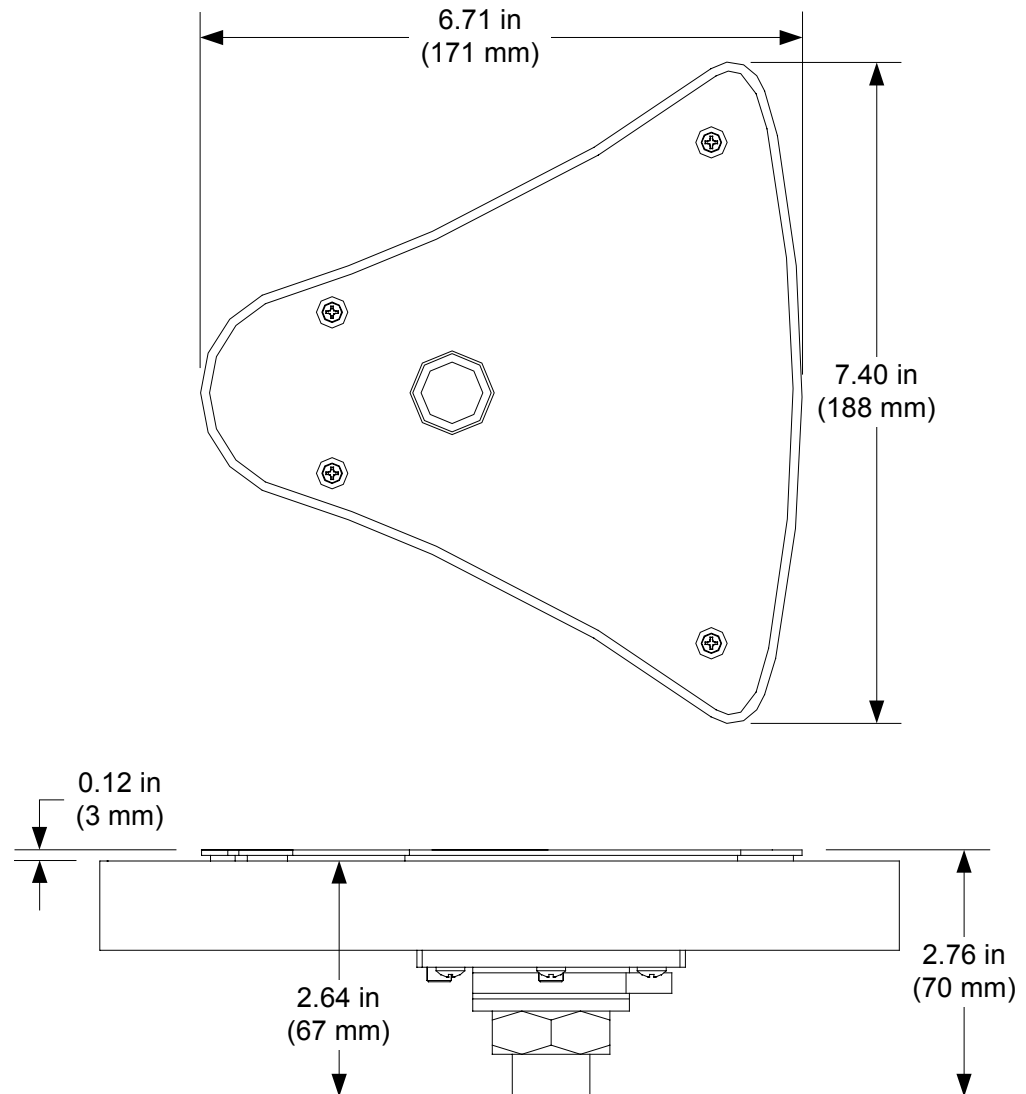
Specifications for the SMK-V15 are listed in the following table.

SMK-V15 Specifications

SPECIFICATION	DETAILS
Dimensions	
Height	2.76 in (70 mm)
Width	7.40 in (188 mm)
Depth	6.71 in (171 mm)
Weight	9 oz (254 g)

Physical Description

SMK-V15 Overall Dimensions



Setup

Supplied Hardware

The hardware supplied with the SMK-V15 is listed in the following table.

Supplied Hardware for the SMK-V15

DESCRIPTION	PART NUMBER	QUANTITY
Assembly, Swivel Stop Plate And Screw	4504353	1
Metal, Washer, Keyed, Swivel Stop	4506321	1
Cork/Rubber, Washer, Custom, Swivel	2017614	1
Rubber, Washer, Custom, Swivel	2017615	1
Screw, #08-32 x 1/8", Steel, Socket Head	2017634	2
Washer, Flat, Steel, 7/8-A Narrow, 15/16" Inner Diameter, 1.75" Outer Diameter, 0.134" Thick	2017633	1
Nut, #7/8"-14, 1-15/16" Hex Diameter, 31/64"H, Steel, Zinc	2017632	1
Screw, #08-8B x 1/2", Steel, Pan, Phil	2017784	6
Template, Overlay, Table Cutout	4504871	1

Installation

To attach the SMK-V15 Swivel Mount Kit to the V12 or V15 and install the assembly on a suitable mounting surface, refer to the following procedures.

NOTE: The mounting surface thickness must be 1 inch (25 mm) minimum to 1 3/8 inches (35 mm) maximum using the hardware provided.

Preparing the Touch Screen and SMK-V15

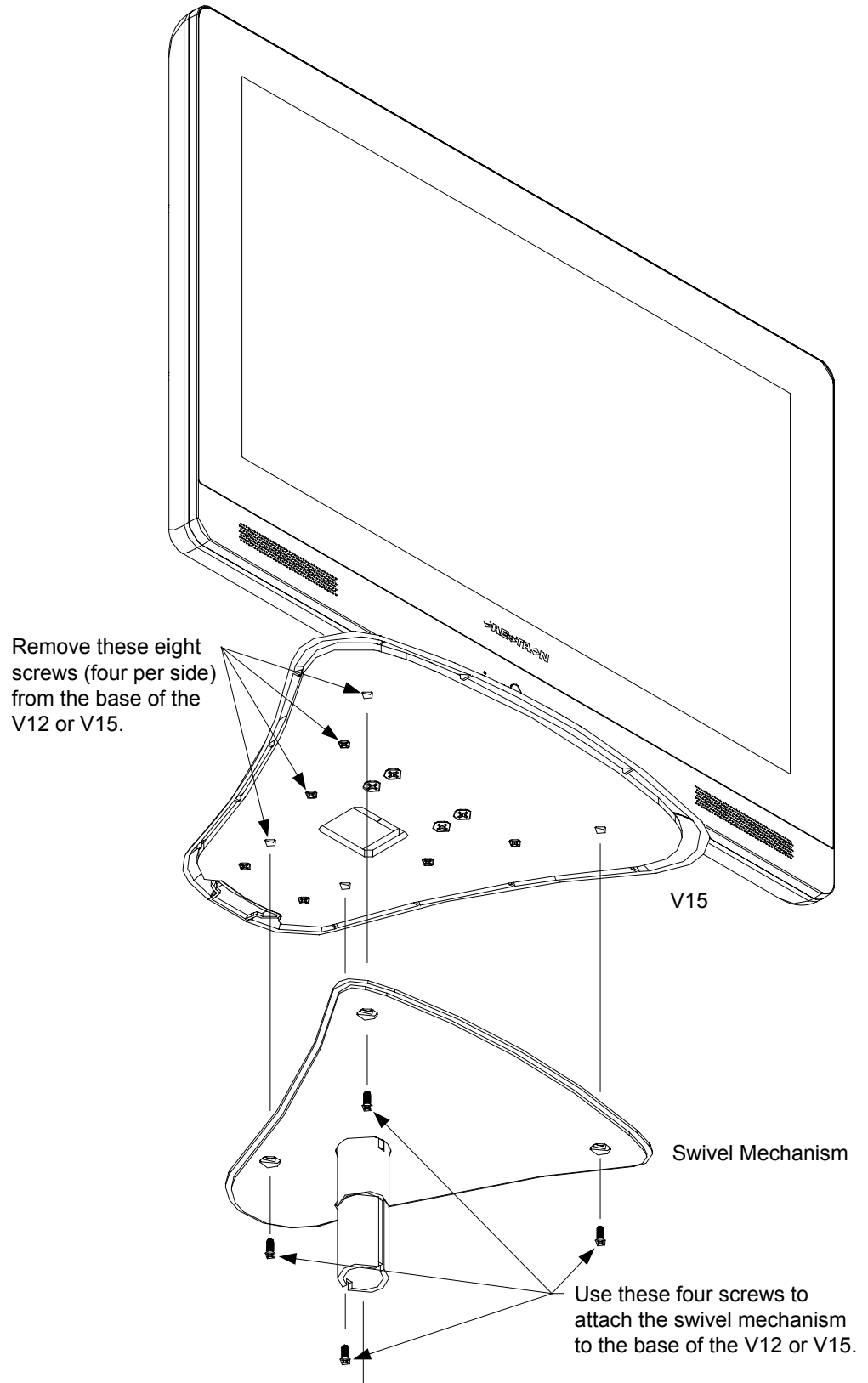
1. To provide easy access to its base, place the touch screen face down on a clean, padded work surface.
2. Remove the eight screws on the underside of the touch screen's base, as shown in the illustration on page 5.
3. Reroute the triamese cable that exits from the rear of the touch screen base, to make it exit through the bottom of the base instead.
4. Feed the end of the triamese cable, now exiting from the bottom of the touch screen base, down through the swivel mechanism tube.

NOTE: In order to fit the cable through the parts of the SMK-15, it is necessary to first remove the 4-pin detachable terminal block DMNet connector (which do not fit through the openings). After installation is complete, the DMNet connector can be reattached to the cable. Refer to "SMK-V15 Swivel Mount Kit Installation" on page 6.

5. Use four of the screws from step 2 to attach the SMK-V15 swivel mechanism to the underside of the V12 or V15's base.

NOTE: To change the tilt torque of the touch screen, adjust the three Allen screws in the base of the touch screen before installing the swivel mechanism.

Preparing the V12 or V15 (V15 Shown)



SMK-V15 Swivel Mount Kit Installation

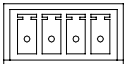
NOTE: The swivel stop plate has a permanently installed limiting screw to prevent the swivel mechanism plate from spinning continuously in one direction and tangling the cable attached to the V12 or V15. This permanently installed limiting screw must be oriented so it is aligned with the front of the V12 or V15, as shown in the illustration on the following page.

1. Prepare the mounting surface using the template provided with the kit. The center hole diameter for the swivel mechanism tube should be 7/8 inch (22.5 mm) minimum, 15/16 inch (24 mm) maximum. Position the template so the edge indicated as the front edge of the table aligns with the desired front position of the touch screen. Observe the dashed line indicating the front edge of the V12's or V15's base to ensure the touch screen does not overhang the mounting surface.
2. Using the six mounting holes on the swivel stop plate as a template, drill pilot holes 3/32 inch (2.5 mm) minimum, 7/64 inch (3 mm) maximum in diameter, and no deeper than 11/32 inch (9 mm). Attach the swivel stop plate to the bottom of the mounting surface using the six screws provided with the kit. Pass the triamese cable and swivel mechanism tube down through the mounting hole and stop plate.
3. Pass the triamese cable through the cork/rubber washer (2017614), the keyed metal washer (4506321), the rubber washer (2017615), the flat steel washer (2017633) and the #7/8-14 nut (2017632), in this sequence, top to bottom. Refer to the illustration on page 7.
4. Slide the provided hardware up onto the swivel tube in the order indicated in the illustration on the following page.

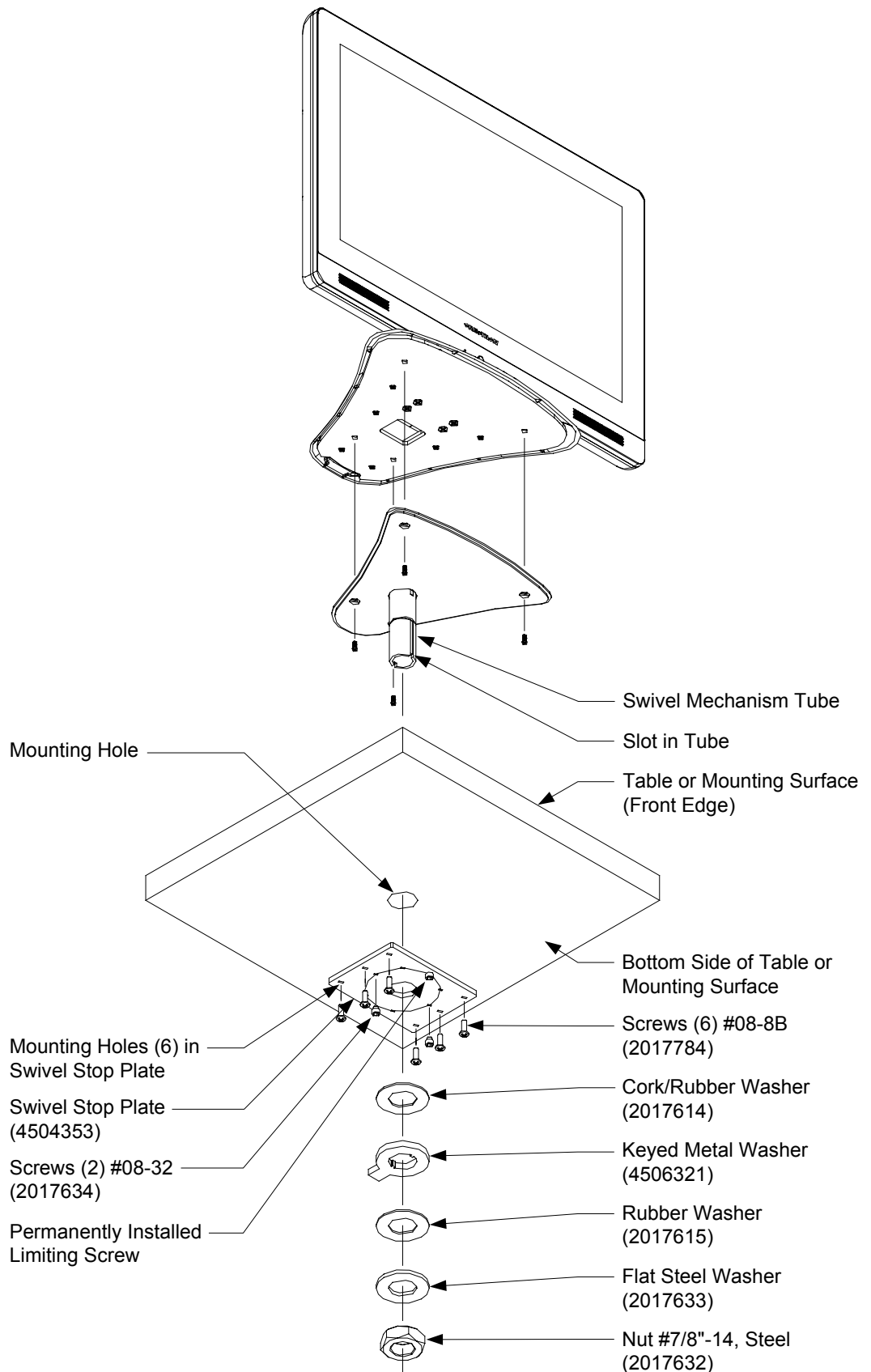
NOTE: The keyed metal washer (4506321) fits onto the swivel mechanism tube in one of two orientations. Orient the tab on the washer to face the rear edge of the mounting surface.

5. Tighten and adjust the provided nut onto the swivel tube to achieve the desired resistance on the swivel assembly's motion. A flat tool (such as a large flat-head screwdriver) may be used in the slot on the bottom of the swivel mechanism tube to hold the tube still while tightening the nut.
6. Reattach the 4-pin terminal block DMNet connector for the **24 A B G** port on the DGE, removed during the procedure described on page 3. Refer to the following table for connector pinouts.

24 A B G Port

 24 A B G			
PIN #	SIGNAL	DESCRIPTION	WIRE COLOR
24	24V DC	DC Power	Red
A	DMNet+	DMNet	White
B	DMNet-	DMNet	Blue
G	Ground	DC Ground	Black

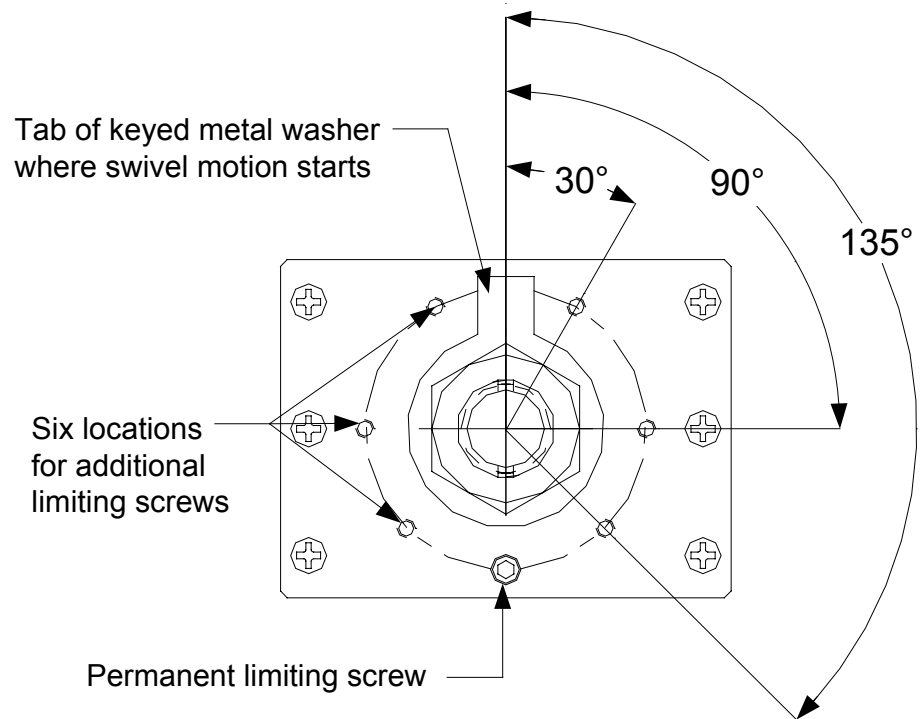
SMK-V15 Swivel Mount Kit Installation Diagram



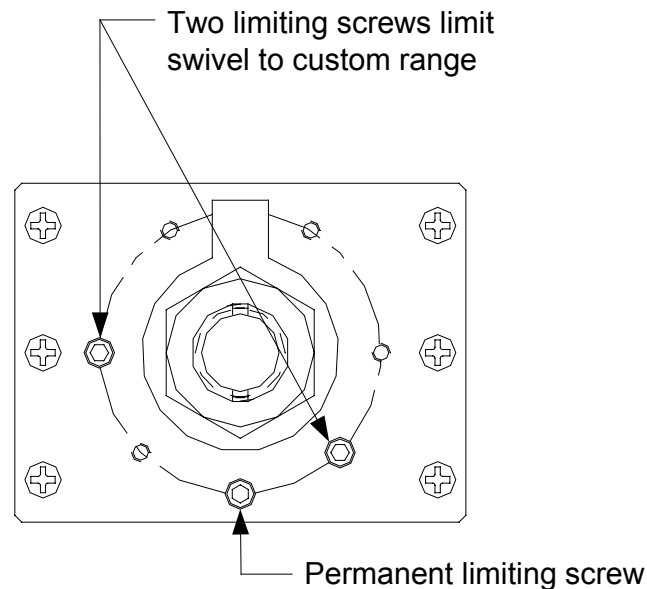
Customize Range

Aside from the permanently installed limiting screw attached to the swivel stop plate, two additional limiting screws are provided with the SMK-V15. These screws are provided to set a custom range of swivel movement. Refer to the illustrations below for their application.

Swivel Stop Plate with Permanent Limiting Screw



Swivel Stop Plate with Additional Limiting Screws



Resources

Further Inquiries

To locate specific information or resolve questions after reviewing this guide, contact Crestron's True Blue Support at 1-888-CRESTRON [1-888-273-7876] or refer to the listing of Crestron worldwide offices on the Crestron Web site (www.crestron.com/offices) for assistance within a particular geographic region.

To post a question about Crestron products, log onto the Online Help section of the Crestron Web site (www.crestron.com/onlinehelp). First-time users must establish a user account to fully benefit from all available features.

Future Updates

As Crestron improves functions, adds new features and extends the capabilities of the SMK-V15, additional information may be made available as manual updates. These updates are solely electronic and serve as intermediary supplements prior to the release of a complete technical documentation revision.

Check the Crestron Web site periodically for manual update availability and its relevance. Updates are identified as an “Addendum” in the Download column.

Return and Warranty Policies

Merchandise Returns / Repair Service

1. No merchandise may be returned for credit, exchange or service without prior authorization from Crestron. To obtain warranty service for Crestron products, contact an authorized Crestron dealer. Only authorized Crestron dealers may contact the factory and request an RMA (Return Merchandise Authorization) number. Enclose a note specifying the nature of the problem, name and phone number of contact person, RMA number and return address.
2. Products may be returned for credit, exchange or service with a Crestron Return Merchandise Authorization (RMA) number. Authorized returns must be shipped freight prepaid to Crestron, 6 Volvo Drive, Rockleigh, N.J. or its authorized subsidiaries, with RMA number clearly marked on the outside of all cartons. Shipments arriving freight collect or without an RMA number shall be subject to refusal. Crestron reserves the right in its sole and absolute discretion to charge a 15% restocking fee plus shipping costs on any products returned with an RMA.
3. Return freight charges following repair of items under warranty shall be paid by Crestron, shipping by standard ground carrier. In the event repairs are found to be non-warranty, return freight costs shall be paid by the purchaser.

Crestron Limited Warranty

Crestron Electronics, Inc. warrants its products to be free from manufacturing defects in materials and workmanship under normal use for a period of three (3) years from the date of purchase from Crestron, with the following exceptions: disk drives and any other moving or rotating mechanical parts, pan/tilt heads and power supplies are covered for a period of one (1) year; touch screen display and overlay components are covered for 90 days; batteries and incandescent lamps are not covered.

This warranty extends to products purchased directly from Crestron or an authorized Crestron dealer. Purchasers should inquire of the dealer regarding the nature and extent of the dealer's warranty, if any.

Crestron shall not be liable to honor the terms of this warranty if the product has been used in any application other than that for which it was intended or if it has been subjected to misuse, accidental damage, modification or improper installation procedures. Furthermore, this warranty does not cover any product that has had the serial number altered, defaced or removed.

This warranty shall be the sole and exclusive remedy to the original purchaser. In no event shall Crestron be liable for incidental or consequential damages of any kind (property or economic damages inclusive) arising from the sale or use of this equipment. Crestron is not liable for any claim made by a third party or made by the purchaser for a third party.

Crestron shall, at its option, repair or replace any product found defective, without charge for parts or labor. Repaired or replaced equipment and parts supplied under this warranty shall be covered only by the unexpired portion of the warranty.

Except as expressly set forth in this warranty, Crestron makes no other warranties, expressed or implied, nor authorizes any other party to offer any warranty, including any implied warranties of merchantability or fitness for a particular purpose. Any implied warranties that may be imposed by law are limited to the terms of this limited warranty. This warranty statement supersedes all previous warranties.

This page is intentionally left blank.



Crestron Electronics, Inc.
15 Volvo Drive Rockleigh, NJ 07647
Tel: 888.CRESTRON
Fax: 201.767.7576
www.crestron.com

Installation Guide – DOC. 6890B
(2025322)
08.12
Specifications subject to
change without notice.