



Description

The Crestron® CS-SHADE-ROLLER-HSHEER is a compact shade mounting system that allows a Crestron horizontal sheer to be mounted on a wall, ceiling, pocket, or window jamb.

Additional Resources

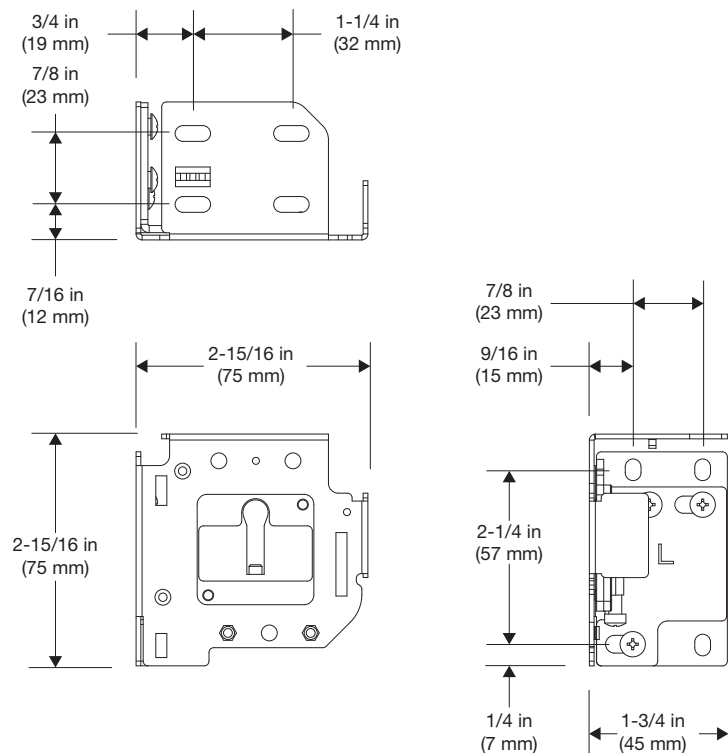
Visit the product page on the Crestron website (www.crestron.com) for additional information and the latest firmware updates. Use a QR reader application on your mobile device to scan the QR image.



Install the Brackets

The CS-SHADE-ROLLER-HSHEER is mounted to the wall using the two supplied brackets. The end caps (optional) and roller shade assembly then attach to the brackets. Refer to the following illustrations for bracket dimensions.

Mounting Bracket (Dimensions are the same for both brackets.)

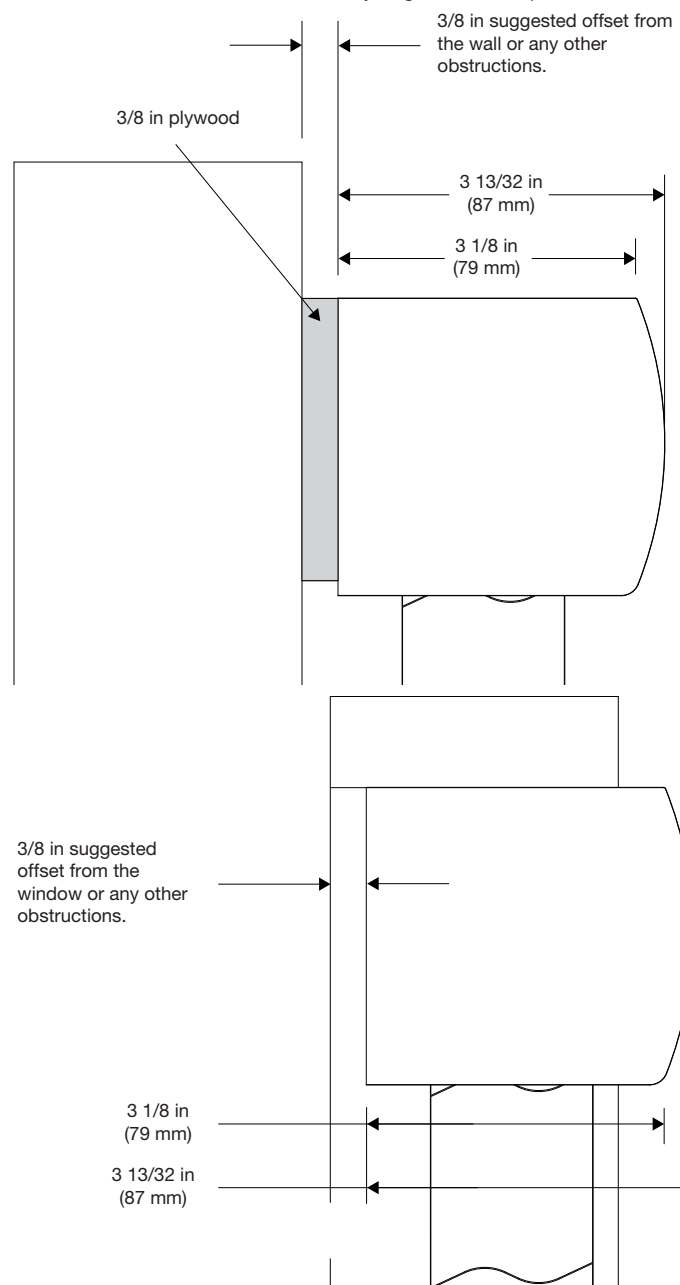


CAUTION: There is risk of personal injury and equipment damage if the shade or associated parts fall during installation. Use care when installing. Use proper mounting hardware (e.g., screws or bolts) for the mounting surface when securing the brackets to the surface.

NOTE: The screws provided with the mounting brackets are intended for use on walls (or jambs) with wood or metal blocking. These screws should not be used for hollow drywall or masonry installations. It is the responsibility of the installer to ensure that the mounting method used is secure.

Install the brackets.

1. Check for a proper fit by holding the roller shade assembly in the approximate mounting location. If using a fascia, use the fascia to measure the proper distance between mounting brackets. The brackets should be mounted flush with the end of the fascia.
2. Mark the locations of the brackets and ensure that the mounting points are level and on the same plane. Use a laser level or snap a chalk line to mark the locations of the brackets. The brackets should be spaced according to the specifications on the order form. When mounting, space the brackets 3/8 inch off of the wall, trim, window, or any other obstructions that the shade may potentially encounter. This ensures that the shade or hembar does not hit or rub on anything as it travels up and down.

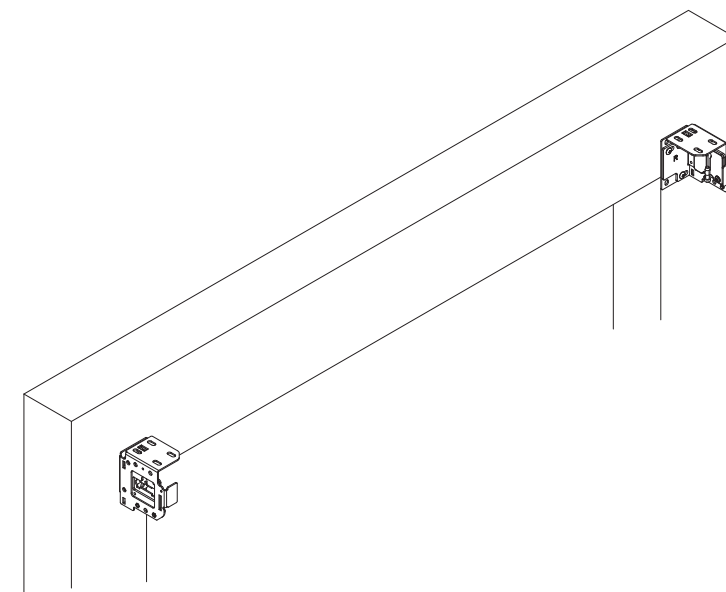


NOTE: End caps are used only when the shade is outside mounted and fascia is used. If inside mounted, end caps are not required unless the shade brackets protrude from the window. Adding end caps for an inside mount increases the light gap.

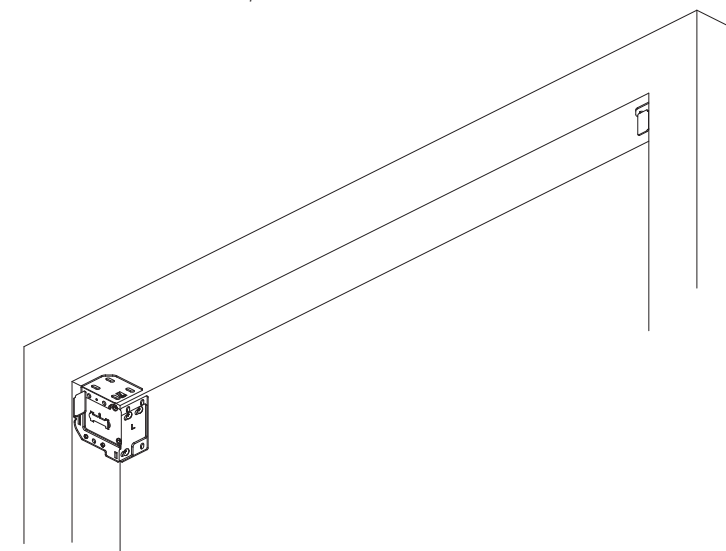
3. If using end caps, attach them to the mounting brackets according to their stamped directions. The end caps snap into place.
4. Fasten the brackets to the outside of the window frame (outside mount) or the inside of the window frame (inside mount) hardware that is appropriate for the mounting surface. Make sure the brackets are level and on a flat surface.
 - The idler bracket mounts on the right-side of the window opening.
 - The motor bracket mounts on the left-side of the window opening.

NOTE: The stamped L and R on the inside of the bracket should face the wall and window.

Outside Mount Installation - Bottom View



Inside Mount Installation - Top View



NOTE: For inside mounts, mounting brackets can be screwed into the window jamb (as pictured above) or into the window header.

NOTE: When using a fascia, align the brackets with the width of the fascia before attaching them to the header.

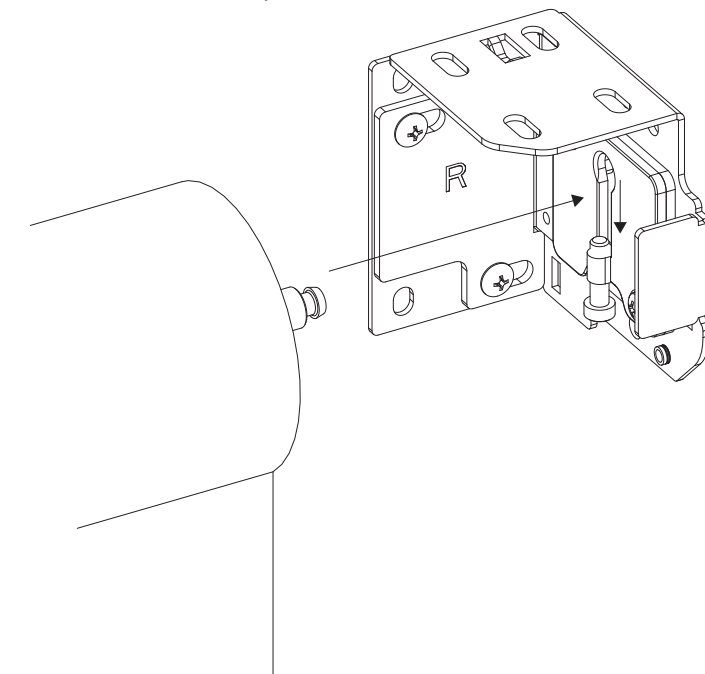
Mount the Roller Shade Assembly

CAUTION: There is risk of personal injury and equipment damage if the shade or associated parts fall during installation. Use care when installing. Use proper mounting hardware (e.g., screws or bolts) for the mounting surface when securing the brackets to the surface.

Once the mounting brackets are installed, install the roller shade assembly.

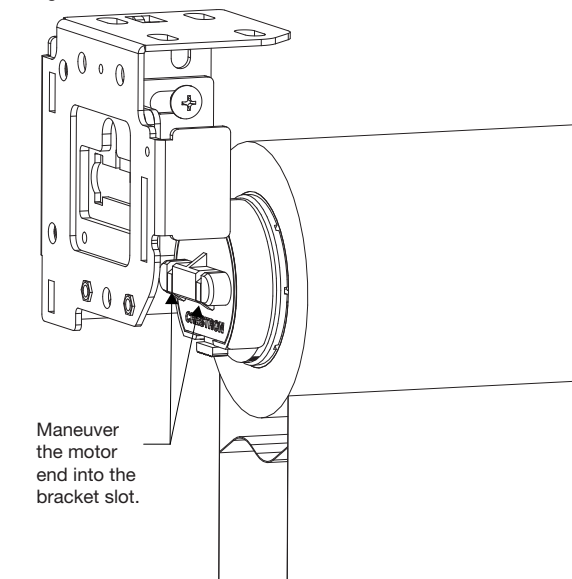
1. Insert the idler pin into the top of the keyhole on the right bracket, and slide it down into the keyhole. The idler pin sits on the vertical adjustment screw.

Insert the Idler Pin into the Keyhole.



2. Raise the motor end of the roller shade assembly to the motor bracket.
3. Push the roller shade assembly toward the idler bracket to compress the spring on the idler pin, and align the tab on the motor assembly with the hole in the motor bracket.

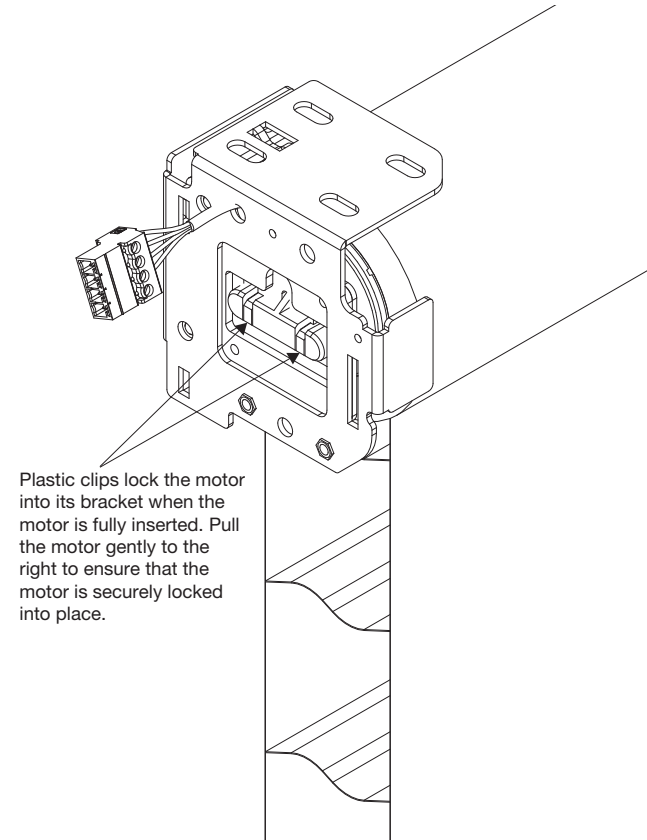
Align the Motor with the Motor Bracket.



Maneuver the motor end into the bracket slot.

- Push the tab on the motor assembly into the hole in the motor bracket. When the shade is properly seated, the two clips spring down to secure the motor to the bracket. Ensure the shade is properly mounted before letting go.

Secure the Motor to the Motor Bracket.



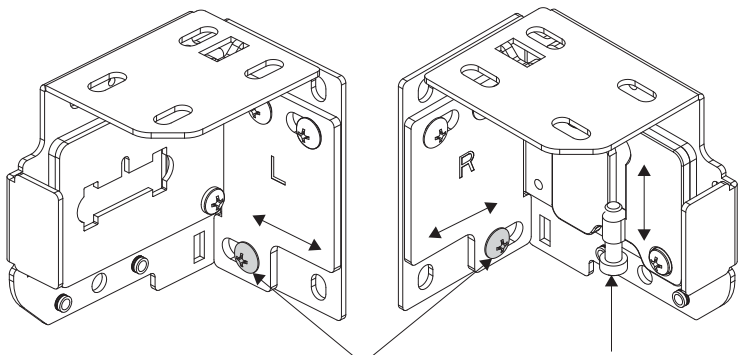
Plastic clips lock the motor into its bracket when the motor is fully inserted. Pull the motor gently to the right to ensure that the motor is securely locked into place.

Adjust the Roller Shade Assembly

WARNING: Care has been taken to ensure that the shade is properly balanced. Prior to initial operation, please confirm that the brackets have been adjusted so that the shade hangs level and plumb. Upon startup, run the shade all the way down and check for plumb. Observe the shade closely as it rolls up. If the shade begins to telescope, stop immediately and take the appropriate action to ensure the shade tracks properly. To prevent damage to the fabric from telescoping, do not leave the shade unattended during the first few cycles of operation. Failure to follow these instructions may result in damage to the edge of the fabric, which is not covered by the warranty.

WARNING: If the roll-up diameter is close to the maximum allowance, do not use the vertical adjustment screw to level the shade. The fabric may come in contact with the bracket, fascia, or other hardware, which may cause damage to the fabric. Remount the bracket to level the shade.

Once the roller shade assembly is installed, make adjustments to level the shade and center it in the opening.



Loosen the screws, then adjust the shade so that it is centered in the opening. Re-tighten the screws to lock the shade into place.

Tighten or loosen the screw to level the shade.

Situations that may cause telescoping:

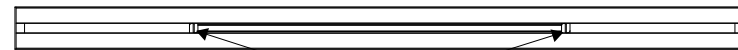
- The shade is not perfectly level.
- The shade may bump into objects while traveling up or down.
- The HVAC ductwork is blowing on the shade, or air is coming in through a window.
- A foreign object is stuck to the shade fabric (e.g., tape, bugs, dust, etc.).

Ways to prevent telescoping:

- Use the leveling features built into the shade brackets to ensure the shade is level. If the bracket adjustment is not enough to compensate, use a shim to level the system.
- Ensure no obstructions exist near the window area that the shade could bump into while traveling (e.g., latches and cranks).
- Direct HVAC airflow away from the shade, and ensure that windows are closed while operating the shade.
- Lower the shade all the way down, the bare tube will be exposed. Inspect the front and back of the shade to ensure that no foreign objects are stuck to the shade fabric.

If the shade is level and is still telescoping, adjust the balance weight in the hembar.

- Insert a small flat object (such as a penny or flat-head screwdriver) to release the weight clips in the hembar.
- Slide the balance weight 1 inch (26 mm) in the direction that the fabric is telescoping.



Insert a small, flat object and turn the clip in order to release the balance weight.

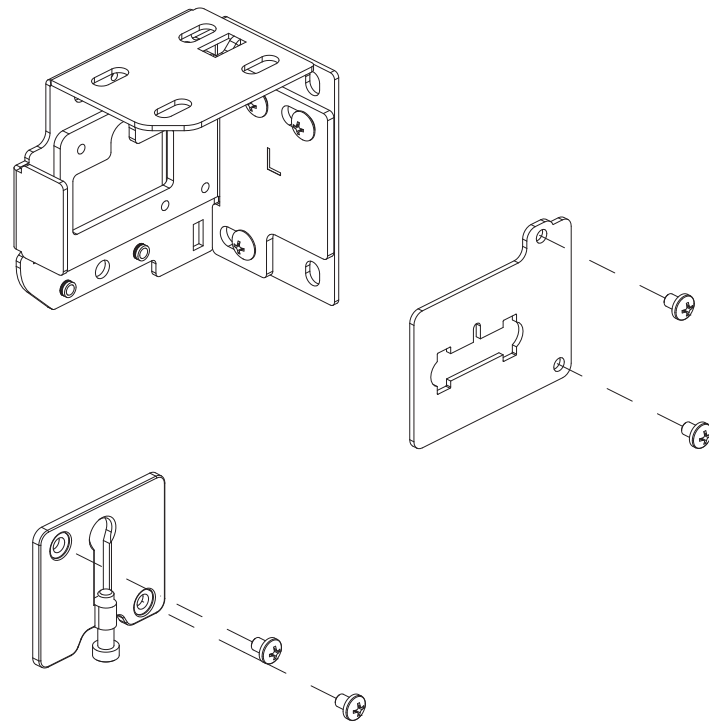
- Ensure that the clips are close to the balance weight, and twist to secure them.
- Test the fabric travel.

Swap the Idler and Motor Ends

The roller shade assembly can be mounted so that the idler and motor ends are located in the ends of the tube opposite where they were when received from the factory (i.e., the idler end is on the left, and the manual clutch end is on the right). Swapping the idler and manual clutch ends allows the roller shade to roll off of the proper side of the tube. If this is necessary, the idler mount in the right bracket and manual clutch mount in the left bracket will need to be swapped. The left and right mounting brackets remain on their intended sides.

Swapping the hardware requires a Phillips screwdriver.

- Using a Phillips screwdriver, remove the plate from both brackets by removing the two screws from the bracket.
- Place the plates in their opposite brackets and secure with the two screws removed in step 1. The motor plate translates, while the vertical adjustment plate rotates 180 degrees to mount.



Swap the Roller Shade Idler and Motor

If the idler and motor brackets have been swapped, remove the motor and idler from the tube and reinstall in the opposite ends, allowing the fabric to roll off of the tube in its intended manner.

Swap the idler and motor ends of the roller shade.

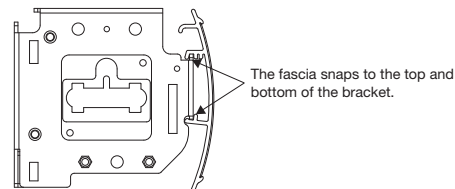
- Remove the motor by pulling on the motor head.
- Use the idler removal tool to loosen the idler by rotating the idler counterclockwise. Pull the idler out of the tube.
- Insert the motor into the tube end opposite from where it was removed.
- Insert the idler into the tube end opposite from where it was removed.
- Use the idler removal tool to tighten the idler; rotate the idler clockwise two turns, and then tighten until snug. Pull on the idler to confirm it is properly secured.

Mount the Fascia

Once the assembly is installed and programmed, the fascia can be mounted.

Align the fascia with the mounting brackets and then press the fascia into place. The fascia assembles into place by snapping onto the tabs on the bracket. Place the top of the fascia on the top of the bracket first, and then press the bottom of the fascia into place on the bottom of the bracket.

To remove the fascia, pull the fascia away from the window and upward to release the fascia.

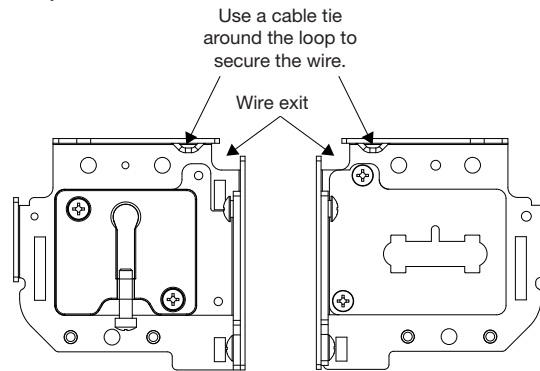


Wiring

When selecting the Cresnet® communications cable, do not use CRESNET-HP cable with the small connector. When using CRESNET-HP cable, replace the connector on the motor pigtail with the larger connector that is supplied with the shade.

All shades should be home run from the CSA-PWS40 or CSA-PWS-10S-HUB (both sold separately).

The left and right brackets provide a cutout in the upper corner, which allows wiring to be easily run to the motor.

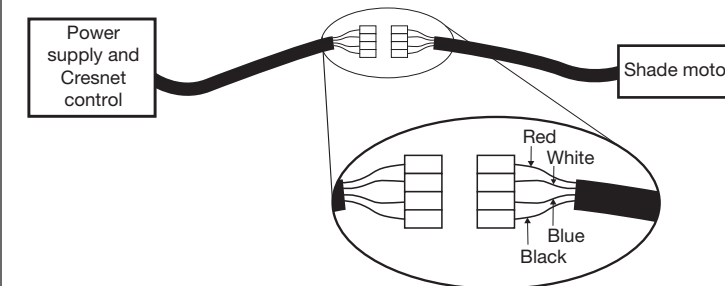


Use a cable tie around the loop to secure the wire.

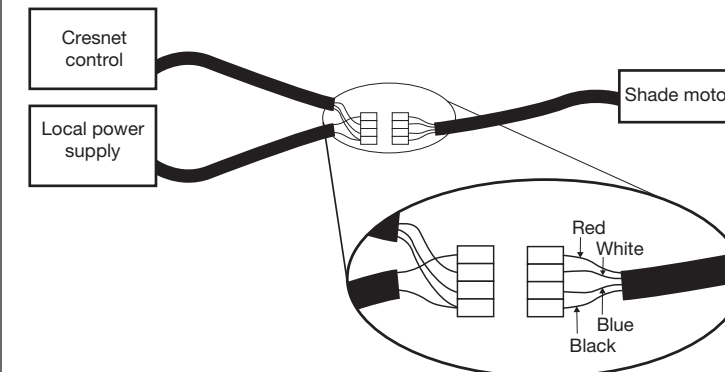
Wire exit

Refer to the illustration that follows for wiring details.

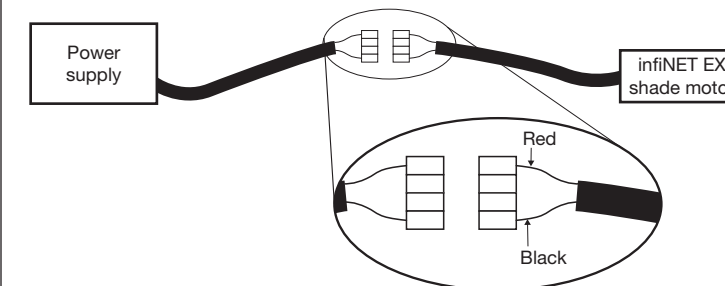
Creston Shade Motor with the Power and Control Coming from the Same Source



Creston Shade Motor with the Power and Control Coming from Separate Sources



Wire the infiNET EX® Wireless Shade Motor.



Programming

Before the roller shade can be operated, program and set up the device. For information on programming and setup of this device, refer to the Digital QMT Shade Motor Programming Guide (Doc. 7437) at www.creston.com/manuals.

As of the date of manufacture, the product has been tested and found to comply with specifications for CE marking.



The product warranty can be found at www.creston.com/warranty.

The specific patents that cover Creston products are listed at www.creston.com/legal/patents.

Certain Creston products contain open source software. For specific information, please visit www.creston.com/opensource.

Creston, the Creston logo, and Cresnet are either trademarks or registered trademarks of Creston Electronics, Inc. in the United States and/or other countries. UL and the UL logo are either trademarks or registered trademarks of Underwriters Laboratories, Inc. in the United States and/or other countries.

Other trademarks, registered trademarks, and trade names may be used in this document to refer to either the entities claiming the marks and names or their products. Creston disclaims any proprietary interest in the marks and names of others. Creston is not responsible for errors in typography or photography.

This document was written by the Technical Publications department at Creston.

©2017 Creston Electronics, Inc.

Creston Electronics, Inc.
15 Volvo Drive, Rockleigh, NJ 07647
Tel: 888.CRESTRON
Fax: 201.767.7576
www.creston.com

Installation Guide - DOC. 8246A

(2050296)

12.17

Specifications subject to change without notice.