

DVPHD (QM) Input Connector: DHDC-QM

Introduction

This Operations Guide describes the QuickMedia™ (QM) input connector on the DHDC-QMVI. For the purposes of this document, this connector is referred to as the QM on the DHDC-QM. The QM input provides QM video for the DVPHD High Definition Digital Video Processor.

Features and Functions

- Supports QM sources.
- Accepts high-resolution, broadcast quality video.

NOTE: The DHDC-QM is not field upgradeable.

Specifications

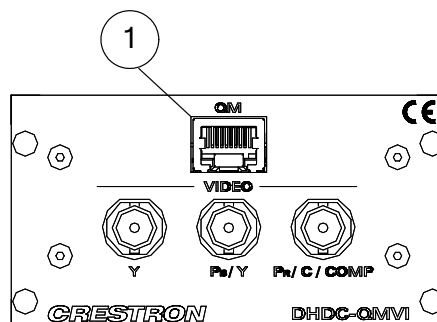
Specifications for the DHDC-QM are listed in the following table.

DHDC-QM Specifications

SPECIFICATION	DETAILS
Input Signal Types	RGB, composite, S-video, component and HDTV
Input Formats	RGB non-interlaced up to 1920 X 1200* HDTV: 480i (NTSC), 576i (PAL), 480p, 576p, 720p, 1080i and 1080p.

* The refresh rate is limited to 60Hz or lower for resolutions of 1600 x 1200 or higher. Support for 1920 x 1200 via analog RGB or QM requires a source device that supports reduced blanking.

Location of Connector

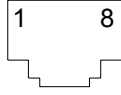


Crestron Electronics, Inc.
15 Volvo Drive Rockleigh, NJ 07647
Tel: 888.CRESTRON
Fax: 201.767.7576
www.crestron.com

Operations Guide – DOC. 6651A
(2020287)
05.08

Specifications subject to
change without notice.

Connector

#	CONNECTORS	DESCRIPTION
1	QM IN ¹ 	(1) 8-wire RJ-45 female, QuickMedia input port Signal Types: Dynamically configurable under system control as (1) RGB, component (Y _P P _r), S-video (Y/C), or composite video input; RGB Format: RGBHV, RGBS, or RG _S B RGB Input Resolution, Non-interlaced: Up to 1920 x 1200 ² ; Video/HDTV Formats: 480i (NTSC), 576i (PAL), 480p, 576p, 720p, 1080i, 1080p; Horizontal Frequency: 15 to 91 kHz Vertical Frequency: 25 to 85 Hz Delay Skew Compensation: 0 to 22 ns Connects to QM output port of any QuickMedia device via CRESCAT-QM or CRESCAT-IM cable; Maximum Cable Length: 450 ft (aggregate distance from QM origination)

1. The eight-pin RJ-45 QuickMedia transport port accepts CAT5E/CAT6 carrying audio, video and microphone signals. The QM input port conforms to the 568B wiring standard. Refer to the following table for connector pinouts.
2. Refresh rate is limited to 60Hz or lower for resolutions of 1600 x 1200 or higher; Support for 1920 x 1200 via analog RGB or QM requires a source or display device that supports reduced blanking.

RJ-45 PIN NUMBER	WIRE COLORS (EIA 568B)	QM ASSIGNMENT: RGB	QM ASSIGNMENT: COMPOSITE, S-VIDEO, COMPONENT AND AUDIO
1	WHITE/ORANGE	- RGB RED	- CHROMINANCE (- P _r)
2	ORANGE	+ RGB RED	+ CHROMINANCE (+ P _r)
3	WHITE/GREEN	- RGB GREEN	- LUMINANCE (- Y)
4	BLUE	+ DIGITAL AUDIO	+ DIGITAL AUDIO
5	WHITE/BLUE	- DIGITAL AUDIO	- DIGITAL AUDIO
6	GREEN	+ RGB GREEN	+ LUMINANCE (+ Y)
7	WHITE/BROWN	- RGB BLUE	- COMPOSITE (- P _b)
8	BROWN	+ RGB BLUE	+ COMPOSITE (+ P _b)

Further Inquiries

If you cannot locate specific information or have questions after reviewing this sheet, please take advantage of Crestron's award winning customer service team by calling Crestron at 1-888-CRESTRON [1-888-273-7876].

You can also log onto the online help section of the Crestron website (www.crestron.com/onlinehelp) to ask questions about Crestron products. First-time users will need to establish a user account to fully benefit from all available features.