

Crestron **SMK-12/15/17**
Swivel Mount Kit

Installation Guide



This document was prepared and written by the Technical Documentation department at:



Crestron Electronics, Inc.
15 Volvo Drive
Rockleigh, NJ 07647
1-888-CRESTRON

Contents

Swivel Mount Kit: SMK-12/15/17	1
Introduction	1
Supplied Hardware	1
Installation	2
Further Inquiries	5
Future Updates.....	5
Return and Warranty Policies	6
Merchandise Returns / Repair Service	6
CRESTRON Limited Warranty.....	6

Swivel Mount Kit: SMK-12/15/17

Introduction

The Swivel Mount Kit, SMK-12/15/17 is designed for the TPS-12/15/17, TPS-G and TPMC-15/17 family of Crestron® tilt touchpanels with the required rectangular cutout in the base of the unit as shown in the drawing on page 2.

The SMK-12/15/17 is a sturdy mounting option that provides cable management, wire strain relief, and prevents unauthorized users from disconnecting and removing the touchpanel. The opening at the rear of the SMK-12/15/17 is sized to accommodate all of the cables that would typically be connected to the touchpanel, allowing them to be hidden from view by routing them down through the mounting surface through the center opening.

The SMK-12/15/17 swivel mount kit reduces the chance of theft while improving viewing convenience. The base rotates 330 degrees, mounts on the desktop, in a lectern, or on a conference table, and accommodates surface thicknesses from 3/4-inch (19 mm) minimum to 1 3/8-inches (35 mm) maximum, using the hardware provided.

Supplied Hardware

The hardware supplied in the kit is listed in the following table.

Supplied Hardware of the SMK-12/15/17 Swivel Mount Kit

DESCRIPTION	PART NUMBER	QUANTITY
Swivel Mount Assembly	4500093	1
Swivel Mount Plate	2014302	1
Security Plate	2004824	1
Screw, 08-32, 1/4"L, pan phillips	2007263	4
Screw, 08-32, 1"L, pan phillips	2007276	4
Screw, 08-32, 5/8" L, pan phillips	2007274	4
Screw, 08-32, 1/4" L, pan phillips, undercut	2014325	4
Overlay Template, Cutout	2005027	1

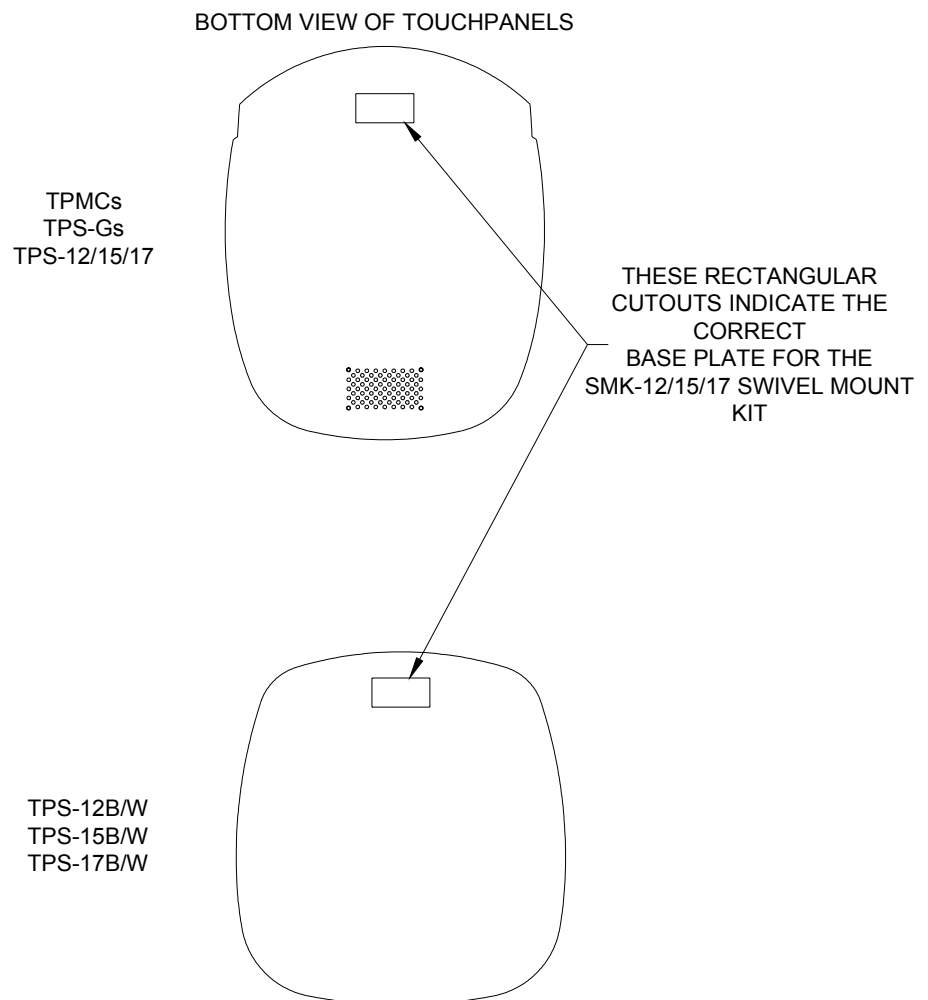
Installation

This section provides an installation procedure for each kit. The only tools required are a suitable drill and a #3 Phillips screwdriver.

To attach the SMK-12/15/17 Swivel Mount Kit to the touchpanel and install the assembly on a suitable mounting surface, refer to the following illustrations and perform the associated procedures.

1. First, determine if your touchpanel has the required base plate for the Swivel Mount Assembly by comparing the base plate on the bottom of your touchpanel with the following drawing.

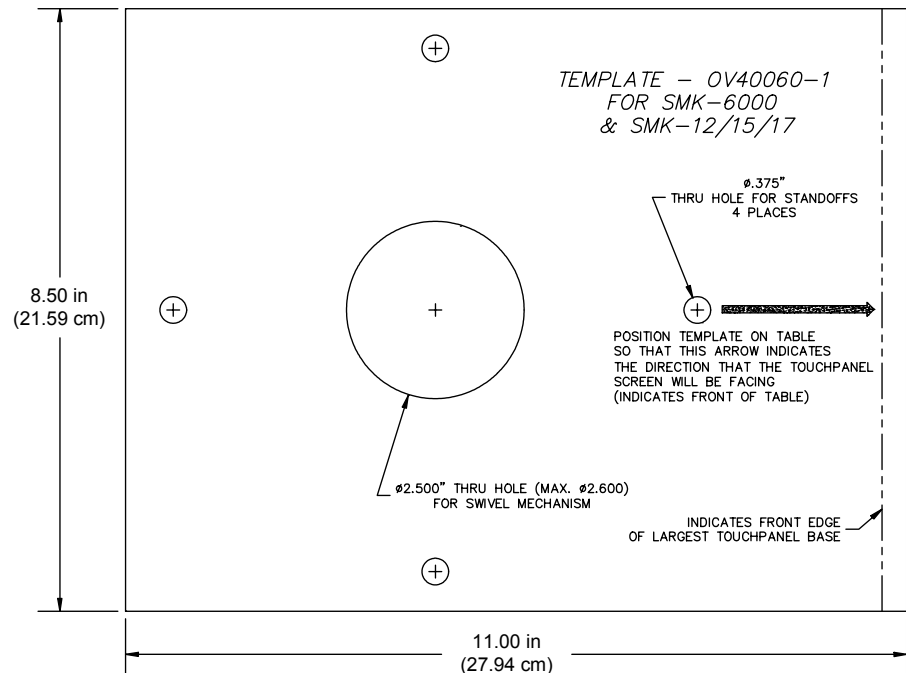
SMK-12/15/17 Required Base Plate



2. Prepare the mounting surface using the template (shown on next page) provided with the kit.
3. Taking note of the front position as indicated by the dashed line on the template, drill holes in the places indicated.

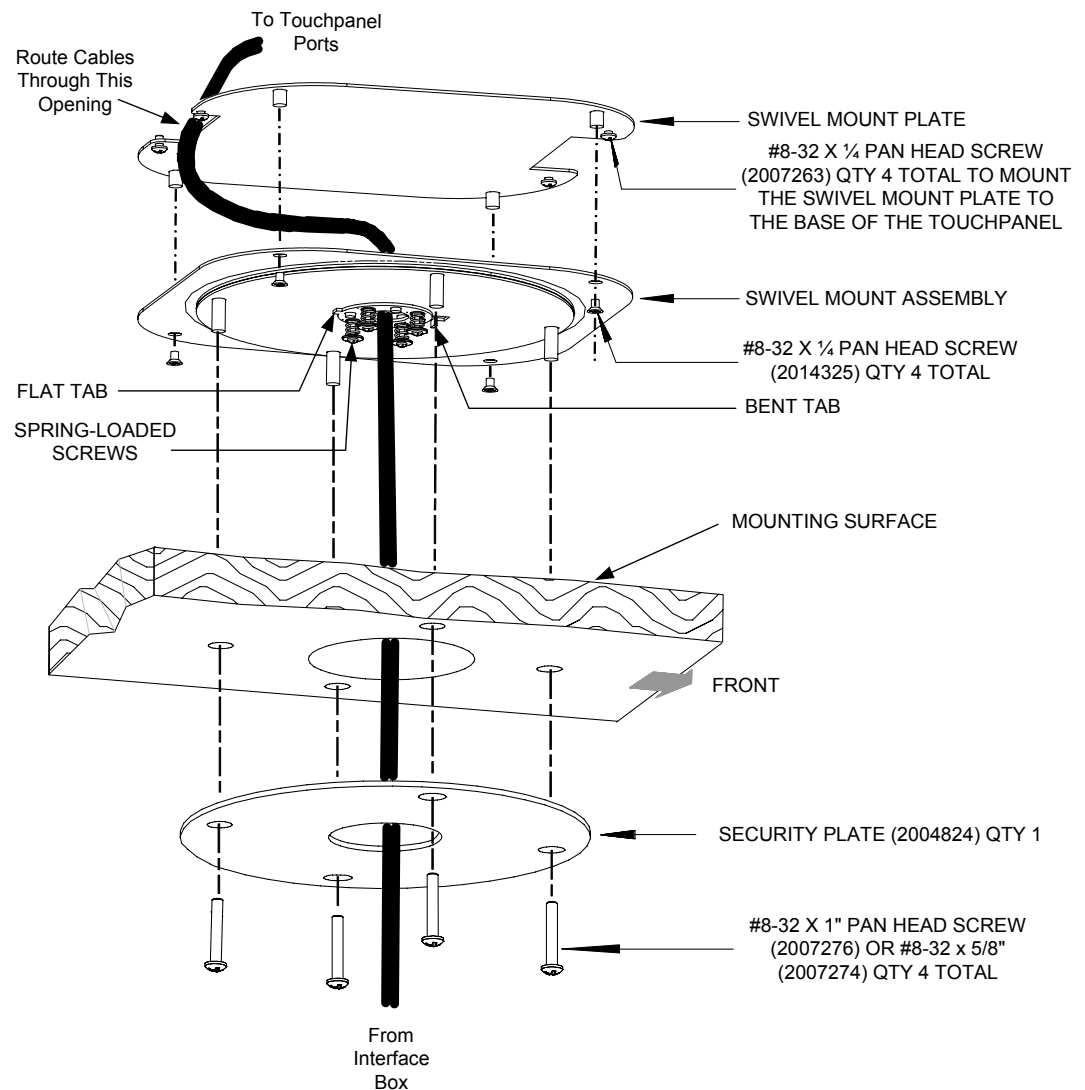
NOTE: The center hole for the Swivel Mount Assembly should be 2 ½ inches (63 ½ mm) minimum, 2 9/16 inches (66 mm) maximum. The holes for the four standoff posts should be 3/8 inches (9.50 cm).

SMK-12/15/17 Overlay Template



4. If necessary, to prevent errors when reconnecting, label and disconnect any cables connected to the touchpanel.
5. If necessary, use the touchpanel position lock buttons to adjust the display to the maximum (most vertical/upright) angle.
6. Place the touchpanel face down on a padded surface to prevent damage to the display screen.
7. Place the Swivel Mount Plate on the bottom of the touchpanel and attach it using the four provided #8-32 x ¼" screws.

NOTE: The Swivel Mount Plate can only be attached one way. The screw holes are arranged to ensure the plate's proper orientation.

SMK-12/15/17 Swivel Mount Kit Assembly Diagram

8. Route the cables from the interface box up through the Security Plate, through the mounting surface, through the Swivel Mount Assembly, and then through the opening in the base of the touchpanel. Connect the cables to the appropriate touchpanel ports. Route the cables carefully to avoid chafing.
9. Being careful to avoid damage to the cables, attach the Swivel Mount Assembly to the Swivel Mount Plate, using the supplied four #8-32 X 1/4" screws through the holes in the Swivel Mount Assembly into the standoff posts on the Swivel Mount Plate. Make certain the cables are not twisted or crimped and have sufficient slack at the port connections before fully tightening the screws.
10. Making certain that the tabs (one bent and one flat) are positioned to the front and rear of the Swivel Mount Assembly, place the touchpanel and Swivel Mount Assembly down on the mounting surface. Guide the standoff posts on the Swivel Mount Assembly through the holes you drilled in the mounting surface.

11. Hold the Security Plate in position under the mounting surface and secure the entire assembly using the #8-32 x 5/8" screws for surfaces 3/4 to 1 1/8-inches (19 to 28.6 mm) thick; or the #8-32 x 1" screws for surfaces 1 1/8 to 1 3/8 inches (28.6 to 35 mm) thick.
12. Adjust the tension of the Swivel Mount Assembly using the four spring-loaded screws on the underside.

Further Inquiries

If you cannot locate specific information or have questions after reviewing this guide, please take advantage of Crestron's award winning customer service team by calling the Crestron corporate headquarters at 1-888-CRESTRON [1-888-273-7876]. For assistance in your local time zone, refer to the Crestron website (www.crestron.com) for a listing of Crestron worldwide offices.

You can also log onto the online section of the Crestron website to ask questions about Crestron products. First-time users will need to establish a user account to fully benefit from all available features.

As of the date of manufacture, the SMK-12/15/17 has been tested and found to comply with specifications for CE marking.



Future Updates

As Crestron adds improvements to the SMK-12/15/17, additional information may be made available as manual updates. These updates are solely electronic and serve as intermediary supplements prior to the release of a complete technical documentation revision.

Check the Crestron website periodically for manual update availability and its relevance. Updates are identified as an "Addendum" in the Download column.

Return and Warranty Policies

Merchandise Returns / Repair Service

1. No merchandise may be returned for credit, exchange, or service without prior authorization from CRESTRON. To obtain warranty service for CRESTRON products, contact the factory and request an RMA (Return Merchandise Authorization) number. Enclose a note specifying the nature of the problem, name and phone number of contact person, RMA number, and return address.
2. Products may be returned for credit, exchange, or service with a CRESTRON Return Merchandise Authorization (RMA) number. Authorized returns must be shipped freight prepaid to CRESTRON, 6 Volvo Drive, Rockleigh, N.J., or its authorized subsidiaries, with RMA number clearly marked on the outside of all cartons. Shipments arriving freight collect or without an RMA number shall be subject to refusal. CRESTRON reserves the right in its sole and absolute discretion to charge a 15% restocking fee, plus shipping costs, on any products returned with an RMA.
3. Return freight charges following repair of items under warranty shall be paid by CRESTRON, shipping by standard ground carrier. In the event repairs are found to be non-warranty, return freight costs shall be paid by the purchaser.

CRESTRON Limited Warranty

CRESTRON ELECTRONICS, Inc. warrants its products to be free from manufacturing defects in materials and workmanship under normal use for a period of three (3) years from the date of purchase from CRESTRON, with the following exceptions: disk drives and any other moving or rotating mechanical parts, pan/tilt heads and power supplies are covered for a period of one (1) year; touchscreen display and overlay components are covered for 90 days; batteries and incandescent lamps are not covered.

This warranty extends to products purchased directly from CRESTRON or an authorized CRESTRON dealer. Purchasers should inquire of the dealer regarding the nature and extent of the dealer's warranty, if any.

CRESTRON shall not be liable to honor the terms of this warranty if the product has been used in any application other than that for which it was intended, or if it has been subjected to misuse, accidental damage, modification, or improper installation procedures. Furthermore, this warranty does not cover any product that has had the serial number altered, defaced, or removed.

This warranty shall be the sole and exclusive remedy to the original purchaser. In no event shall CRESTRON be liable for incidental or consequential damages of any kind (property or economic damages inclusive) arising from the sale or use of this equipment. CRESTRON is not liable for any claim made by a third party or made by the purchaser for a third party.

CRESTRON shall, at its option, repair or replace any product found defective, without charge for parts or labor. Repaired or replaced equipment and parts supplied under this warranty shall be covered only by the unexpired portion of the warranty.

Except as expressly set forth in this warranty, CRESTRON makes no other warranties, expressed or implied, nor authorizes any other party to offer any warranty, including any implied warranties of merchantability or fitness for a particular purpose. Any implied warranties that may be imposed by law are limited to the terms of this limited warranty. This warranty statement supercedes all previous warranties.

Trademark Information

All brand names, product names, and trademarks are the sole property of their respective owners. Windows is a registered trademark of Microsoft Corporation. Windows95/98/Me/XP and WindowsNT/2000 are trademarks of Microsoft Corporation.

This page intentionally left blank.



Crestron Electronics, Inc.
15 Volvo Drive Rockleigh, NJ 07647
Tel: 888.CRESTRON
Fax: 201.767.7576
www.crestron.com

Installation Guide – DOC. 6467
(2014696)
02.06
Specifications subject to
change without notice.