

CS-SHADE-ROLLER-HSHEER

Crestron® Horizontal Sheers



- An elegant shading solution for windows up to 8 ft. (244 cm) x 8 ft. (244 cm)
- Features horizontal fabric vanes floating between two layers of sheer, knitted fabric
- Raises and lowers to any position, tilts for privacy and daylight reduction
- Vane fabrics available in 36 decorative colors and patterns
- Choice of 25 light filtering and 11 room darkening options
- Large 2.5 in. (64 mm) vanes provide 1.25 in. (32 mm) view-through when tilted open
- Choice of manual or motorized operation
- Patented Digital QMT® shade motors provide silent operation and precise positioning
- Wired or wireless control system integration via Cresnet® or infiNET EX®
- Wide selection of keypad, touch screen, handheld remote, and mobile app control options
- Allows full automation as part of a complete Crestron control system
- Universal mounting brackets allow inside mount within a window jamb or outside mount to the window casing, wall, or ceiling surface
- Includes decorative curved front fascia with matching fabric insert
- Available top/back cover and recessed pocket mounting options
- All concealment options feature snap-fit extruded aluminum construction available in five colors
- Field configurable for left or right side motor or beaded pull chain
- Quick and easy installation

- Simple, precise adjustments
- Dependable, long-life operation
- Limited lifetime warranty

Crestron® Horizontal Sheers ([CS-SHADE-ROLLER-HSHEER](#)) add beauty, convenience, and comfort to any interior space. Featuring horizontal fabric vanes that float between two layers of sheer, knitted fabric, horizontal sheers offer an elegant and attractive window shading solution for controlling natural lighting and providing privacy. The fabric can be raised for an unobstructed view or lowered to soften the view, and when fully lowered, the vanes can be tilted and closed to filter the amount of daylight and conceal the view. The vanes are available in a selection of decorative fabrics with a choice of light filtering (translucent) or room darkening (opaque) options. Crestron horizontal sheers can be custom specified and ordered to fit windows up to 8 ft. (244 cm) wide by 8 ft. (244 cm) tall.

Manual or Motorized Operation

As part of a complete Crestron automation system, Crestron horizontal sheers can be motorized and controlled using a choice of keypads, touch screens, handheld remotes, and mobile devices. Motorized operation enables sophisticated automation as part of a complete Crestron lighting control system, with the ability to set and recall lighting and shading scenes at the press of a button or according to a schedule. Patented Digital QMT® shade motors ([CSM-QMTDC-163-1 series](#)) provide silent and robust operation with precise positioning.

Control system integration is provided through a choice of Cresnet® (wired) or infiNET EX® (wireless) options. 24 Volt DC power is provided by a local outlet-mounted power supply ([CSA-PWS40](#)) or centralized intelligent 10-motor power supply ([CSA-PWS10S-HUB-ENET](#)). For lower cost, non-motorized applications, a manually-operated option with beaded pull chain is available.

To ensure child-safety, the manual clutch roller shades are equipped with a Chainhold Tension Device. This device is integrated into the product during manufacturing and cannot be removed without breaking. The tension device maintains tension on the chain when installed properly. If not properly installed, it prevents the shade from fully operating. This safety feature is designed to prevent accidental strangulation and ensures the safety of children.

Easy, Versatile Installation

Included hardware supports mounting within the window jamb (inside mount) or to the window casing, wall, or ceiling surface (mount). The complete system is very compact, allowing it to fit in tight spaces and achieve an unobtrusive appearance. A decorative curved front fascia with matching fabric insert is included to conceal the roller assembly and mounting brackets. Optional end caps provide a finished appearance for outside mount applications. An optional

CS-SHADE-ROLLER-HSHEER

Crestron® Horizontal Sheers

top/back cover can be added for a fully concealed appearance. A recess-mount pocket option is also available to allow the roller assembly and mounting hardware to be concealed in a ceiling or soffit.

Snap-fit installation of every concealment option affords a clean appearance with no visible screws. All Crestron horizontal sheers are field-configurable to allow the motor wiring or pull chain to be positioned at the left or right side. Complete installation is engineered to be quick and easy with simple, precise adjustments for flawless, long-life operation. The roller and motor assembly simply snaps into the mounting brackets, and a quick release button allows for easy removal without any special tools. The supplied brackets can accommodate both manual and motorized shades, allowing a manual shade to be upgraded to motorized at any time without replacing hardware.

NOTE: The CS-SHADE-ROLLER-HSHEER is sold as part of a custom-configured solution. To configure and order shades, or to order shading parts and accessories, please use Crestron® Design Tool (CDT) for Crestron Shading Solutions or call 1-855-53-S-H-A-D-E (537-4233) for support.

This product may be purchased from select authorized Crestron dealers and distributors. To find a dealer or distributor, please contact the Crestron sales representative for your area. A list of sales representatives is available online at www.crestron.com/How-To-Buy/Find-a-Representative or contact us for additional information by visiting www.crestron.com/contact/our-locations for your local contact.

The original language version of this document is U.S. English. All other languages are a translation of the original document.

The product warranty can be found at www.crestron.com/warranty.

The specific patents that cover Crestron products are listed online at www.crestron.com/legal/patents.

Certain Crestron products contain open source software. For specific information, please visit www.crestron.com/opensource.

Crestron, the Crestron logo, Cresnet, infiNET EX, and QMT are either trademarks or registered trademarks of Crestron Electronics, Inc. in the United States and/or other countries. Other trademarks, registered trademarks, and trade names may be used in this document to refer to either the entities claiming the marks and names or their products. Crestron disclaims any proprietary interest in the marks and names of others. Crestron is not responsible for errors in typography or photography.

Specifications are subject to change without notice.

©2024 Crestron Electronics, Inc.

Rev 06/12/24

Model

CS-SHADE-ROLLER-HSHEER
Crestron® Horizontal Sheers

Available Accessories

For a list of available accessories, visit the [CS-SHADE-ROLLER-HSHEER](#) product page.

FABRIC OPTIONS – LIGHT FILTERING



Picket Fence, Cross Hatch
CSF-LFCH01-HS



Vacation Morn, Cross Hatch
CSF-LFCH02-HS



Wicker Basket, Cross Hatch
CSF-LFCH03-HS



Bicycle Beige, Cross Hatch
CSF-LFCH08-HS



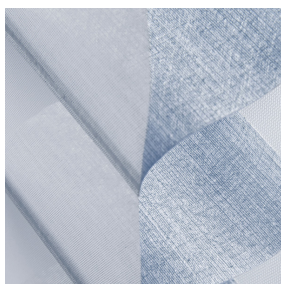
Clapboard, Cross Hatch
CSF-LFCH11-HS



Regatta White, Cross Hatch
CSF-LFCH13-HS



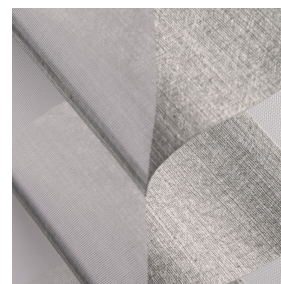
Peanut Brittle, Cross Hatch
CSF-LFCH22-HS



Spinnaker Blue, Cross Hatch
CSF-LFCH24-HS



Deck Chair, Cross Hatch
CSF-LFCH26-HS



High Tide, Cross Hatch
CSF-LFCH38-HS



Sage, Cross Hatch
CSF-LFCH65-HS



Picket Fence, Horizontal
Slub, CSF-LFHS01-HS



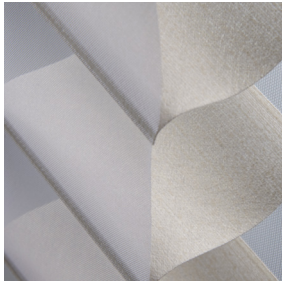
Wicker Basket, Horizontal
Slub, CSF-LFHS03-HS



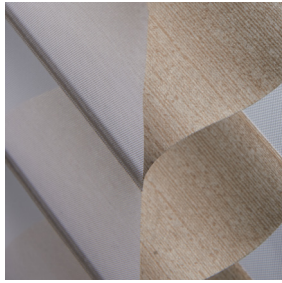
Summer Linen, Horizontal
Slub, CSF-LFHS04-HS



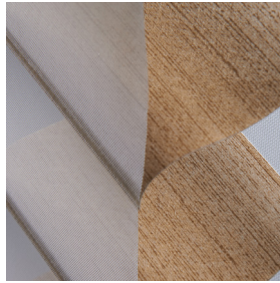
Cottage Cream, Horizontal
Slub, CSF-LFHS05-HS



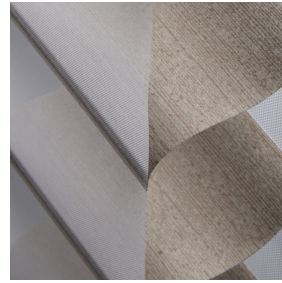
Regatta White, Horizontal Slub, CSF-LFHS13-HS



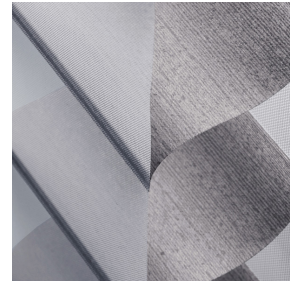
Iced Coffee, Horizontal Slub CSF-LFHS20-HS



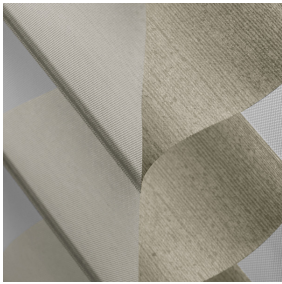
Peanut Brittle, Horizontal Slub, CSF-LFHS22-HS



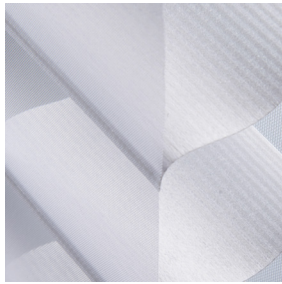
Deck Chair, Horizontal Slub CSF-LFHS26-HS



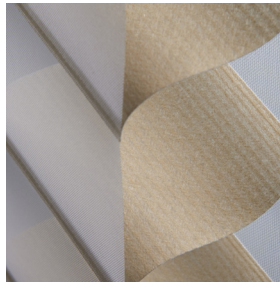
High Tide, Horizontal Slub CSF-LFHS38-HS



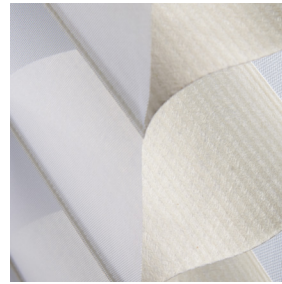
Sage, Horizontal Slub CSF-LFHS65-HS



Picket Fence, Soft Stripe CSF-LFSS01-HS



Wicker Basket, Soft Stripe CSF-LFSS03-HS

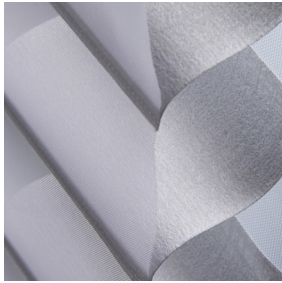


Summer Linen, Soft Stripe CSF-LFSS04-HS

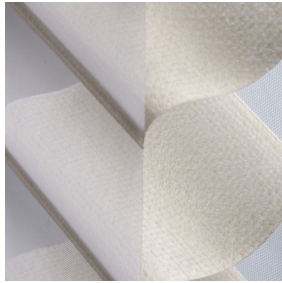


Deck Chair, Soft Stripe CSF-LFSS26-HS

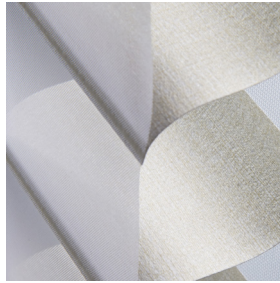
FABRIC OPTIONS - ROOM DARKENING



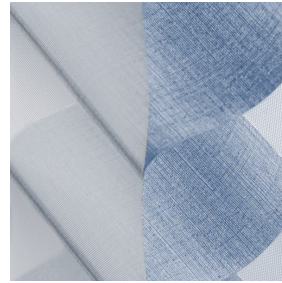
Picket Fence, Cross Hatch CSF-RDCH01-HS



Vacation Morn, Cross Hatch CSF-RDCH02-HS



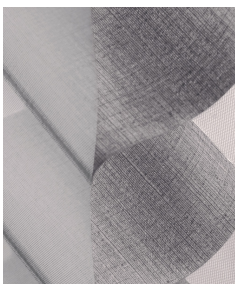
Regatta White, Cross Hatch CSF-RDCH13-HS



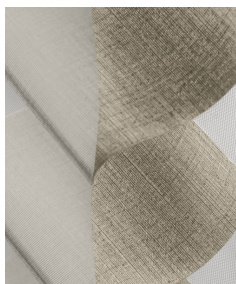
Spinnaker Blue, Cross Hatch CSF-RDCH24-HS



Deck Chair, Cross Hatch CSF-RDCH26-HS



High Tide, Cross Hatch CSF-RDCH38-HS



Sage, Cross Hatch CSF-RDCH65-HS



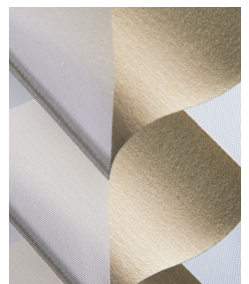
Picket Fence, Soft Stripe, CSF-RDSS01-HS



Wicker Basket, Soft Stripe, CSF-RDSS03-HS

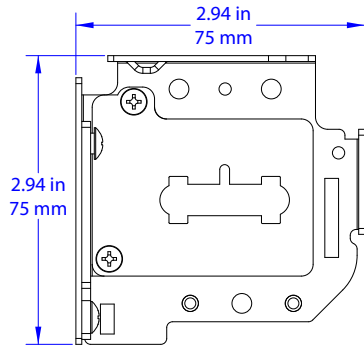
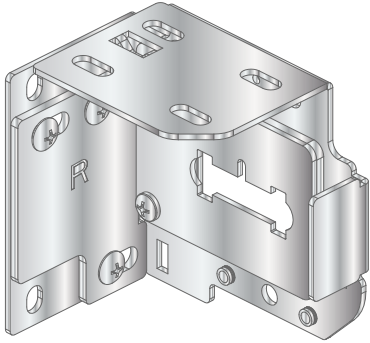


Summer Linen, Soft Stripe, CSF-RDSS04-HS

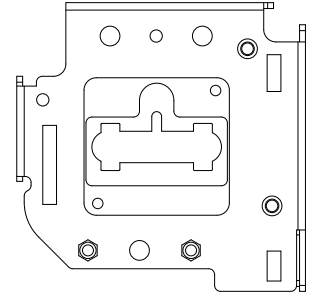
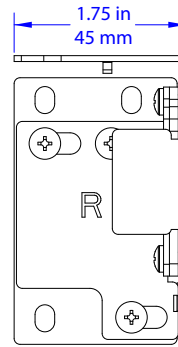
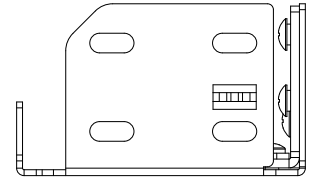


Deck Chair, Soft Stripe CSF-RDSS26-HS

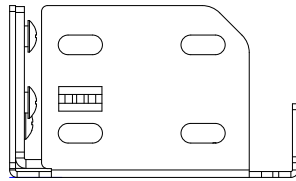
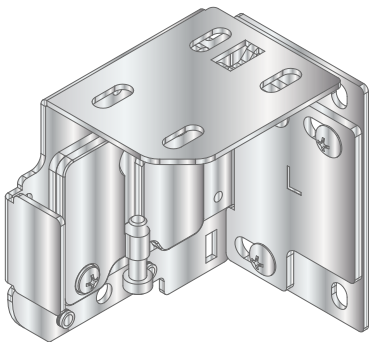
MOUNTING BRACKETS



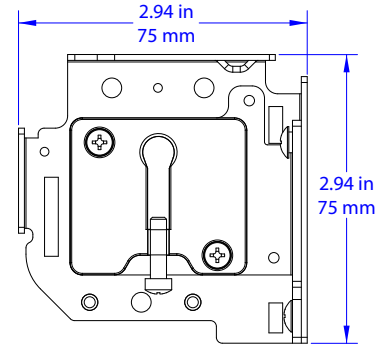
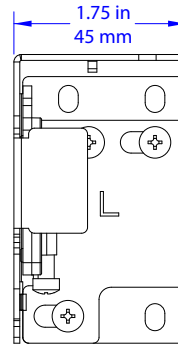
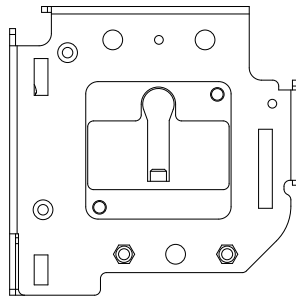
Available Finishes: White only



Right Side Mounting Bracket
Shown Configured as Motor or Manual Clutch End

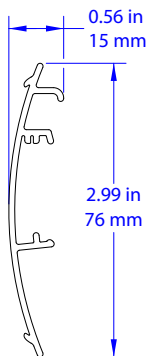
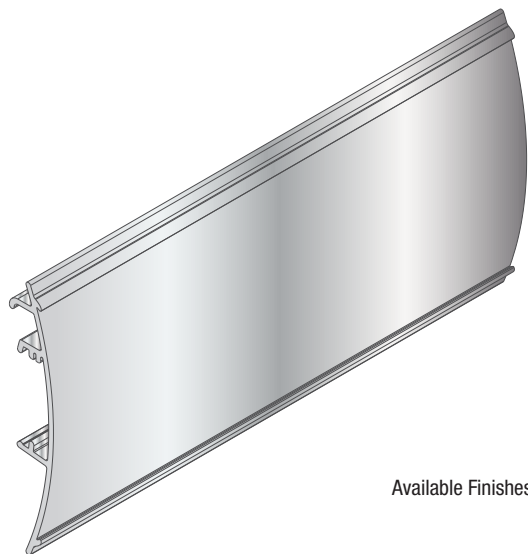


Available Finishes: White only



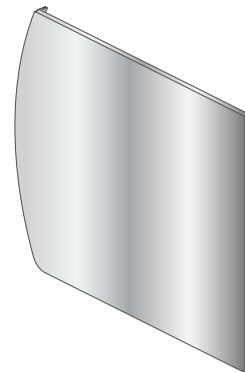
Left Side Mounting Bracket
Shown Configured as Idler End

FASCIA & END CAPS



Available Finishes: White, Black, Gray, Brown, Almond

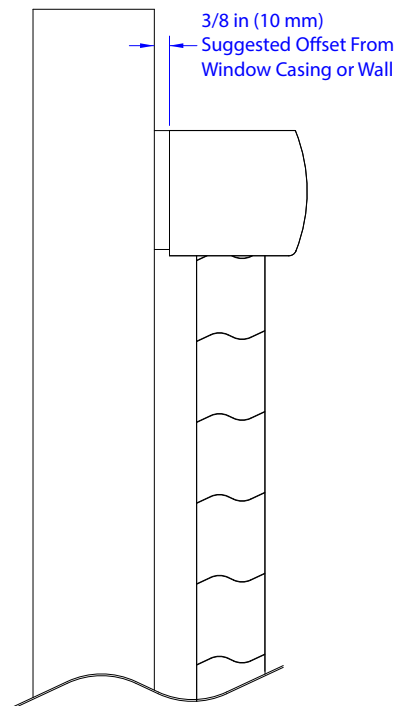
Fascia
Shown Without Fabric Insert



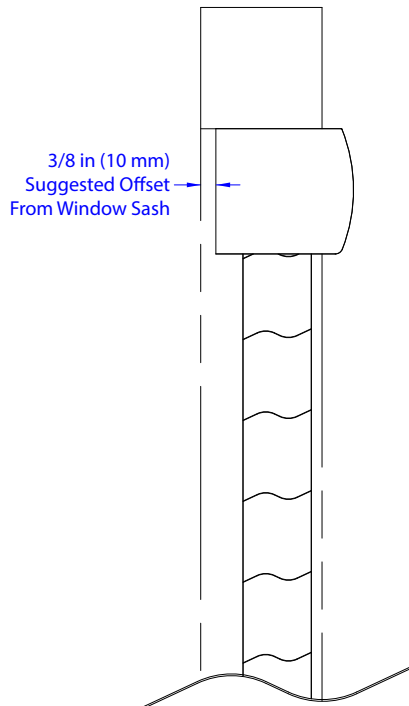
Available Finishes: White, Black, Gray, Brown, Almond

End Cap
Right Side Shown

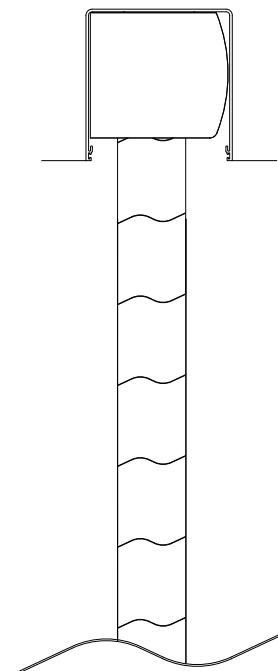
MOUNTING OPTIONS



Outside Mount

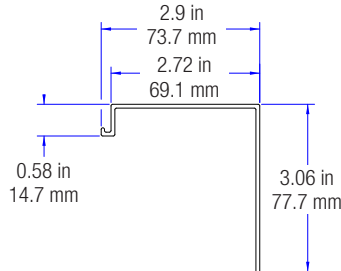
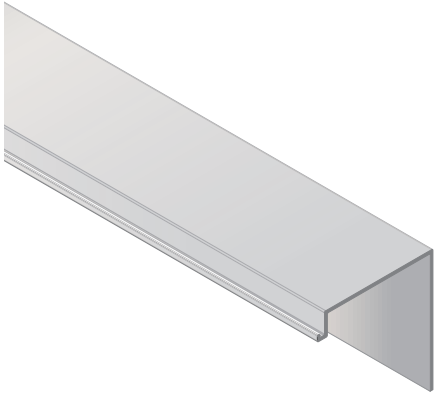


Inside Mount



Pocket Mount

TOP/BACK COVER & POCKETS

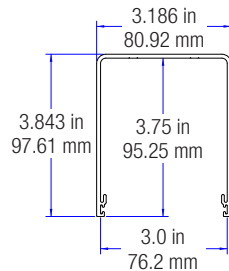


Available Finishes: White, Black, Gray, Brown, Almond

Top/Back Cover



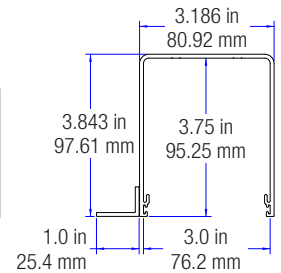
Available Finishes: White, Black, Gray, Brown, Almond



Pocket



Available Finishes: White, Black, Gray, Brown, Almond



Pocket with Tile Lip

AVAILABLE ACCESSORIES

CSM-QMTDC-163-1-CN: Digital QMT® Shade Motor for QMT3 Series, 3/4 Nm, Cresnet®

CSM-QMTDC-163-1-EX: Digital QMT® Shade Motor for QMT3 Series, 3/4 Nm, infiNET EX®

CSA-PWS40: Power Pack for Crestron® Shade or Drapery Motors

CSA-PWS-10S-HUB-ENT: 10-Motor Power Supply with Ethernet to Cresnet® Bridge and Cresnet Hub

CRESNET-NP Series: Cresnet® Control Cable, Non-Plenum

CRESNET-HP-NP Series: Cresnet® “High-Power” Control Cable, Non-Plenum

CRESNET-P Series: Cresnet® Control Cable, Plenum-Rated