

Crestron **PMTW-50-W**
Universal Short-Throw Projector Wall Mount
Installation Guide



This document was prepared and written by the Technical Documentation department at:



Crestron Electronics, Inc.

15 Volvo Drive

Rockleigh, NJ 07647

1-888-CRESTRON

Regulatory Compliance

This product is Listed to applicable US Standards and requirements by Underwriters Laboratories Inc.

As of the date of manufacture, the PMTW-50-W has been tested and found to comply with specifications for CE marking and standards per EMC and Radiocommunications Compliance Labelling.



Contents

Universal Short-Throw Projector Wall Mount: PMTW-50-W	1
Introduction	1
Setup	2
Supplied Hardware	2
Installation	6
Resources	29
Further Inquiries	29
Future Updates	29
Appendix A: Install Security Barrel	30
Appendix B: Adjust Mounting Screw Length	32
Appendix C: Cable Management	33
Appendix D: Utilizing Storage Feature	35
Return and Warranty Policies	37
Merchandise Returns / Repair Service	37
CRESTRON Limited Warranty	37

Universal Short-Throw Projector Wall Mount: PMTW-50-W

Introduction

The Crestron universal short-throw projector arm extends up to 67" (1.7 m) and is crafted to support all of the latest short-throw projectors on the market today. Offering more adjustability than any other projector arm on the market, the PMTW-50-W adjusts from 7" to 67" (178 mm to 1.7 m) from the wall and can support a projector up to 50 pounds (22.7 kg). The mount may also be used for mounting standard throw projectors by simply attaching the PMTW-50-W to the wall opposite the screen.

Features and Functions

- Extends from 7"-67" from wall
- Capable of supporting projectors up to 50 pounds
- Includes wall-mounted GearBox™ for PC, Mac Mini™ or control modules
- Mounts to dual wood studs (16" (406 mm), 18" (457 mm) and 24" (610 mm)) and concrete
- Includes universal projector mount
- Fast, one person installation

Setup

Supplied Hardware

The hardware supplied with the PMTW-50-W is listed in the following tables.

Supplied Hardware for the Projector Arm

DESCRIPTION	QUANTITY
Wall Plate	1
Projector Arm	1
End Cover	1
Adjustable Mounting Assembly – Pre-Assembled	1
External Slide Plate	1
Back Plate Covers	2
M5 x 8 mm Security Screw	7
M6 x 16 mm Security Screw	2
5/16" x 3" Lag Bolt	4
M6 x 12 mm Security Screw	2
Square Washers	4

Supplied Hardware for the Extension Hardware Pack

DESCRIPTION	QUANTITY
M6 x 12 mm Security Screw	2
M6 Flat Washer	2
Internal Slide Plate	1
Extension Arm	1

Supplied Hardware for the Base Box

DESCRIPTION	QUANTITY
Base Box	1
Nylon Spacer	2
Flat Washer	2
1/8" Nylon Spacer	2
External Tooth Lock Washers	4
M6 x 12 mm Phillips Pan Head with Integrated Split Washer*	12

* Six M6 x 12 mm Phillips Pan head screws come pre-installed on the base box and six screws are provided as replacements.

Supplied Hardware for the Universal Projector Mount

DESCRIPTION	QUANTITY
Mounting Legs – Long	4
Mounting Legs – Short	4
Plastic Barrel Caps	4
Projector Plate	1

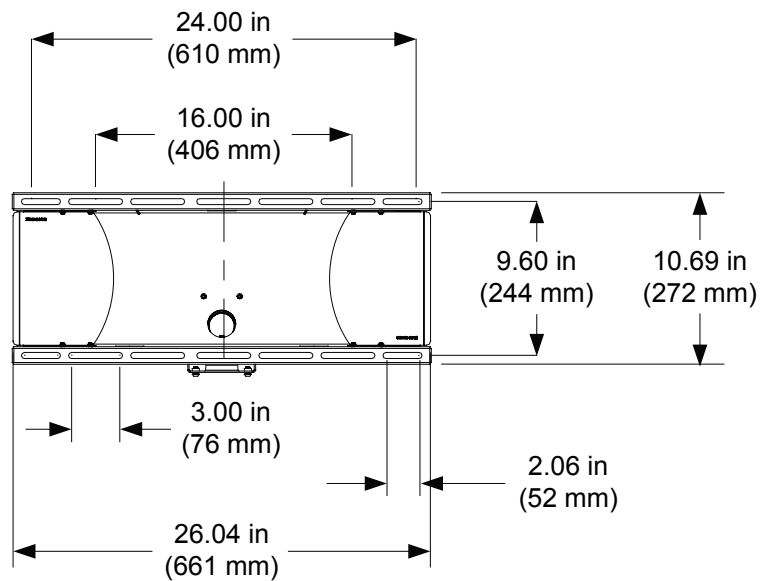
*Supplied Projector Mounting Hardware**

DESCRIPTION	QUANTITY
M6 x 8 mm Socket Head Set Screw	1
M2.5 x 12 mm Phillips Head Screw	4
M3 x 16 mm Phillips Head Screw	4
M3 Flat Washer	10
M4 x 12 mm Phillips Head Screw	4
M5 x 12 mm Phillips Head Screw	4
M6 x 12 mm Phillips Head Screw	8

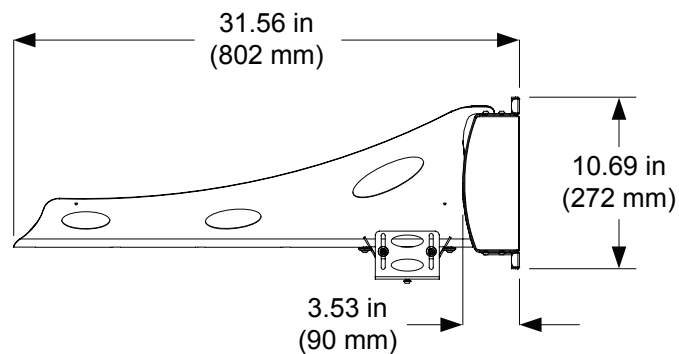
* All screws are not used in the assembly of this product.

The dimensions of the PMTW-50-W are shown below and on the following page.

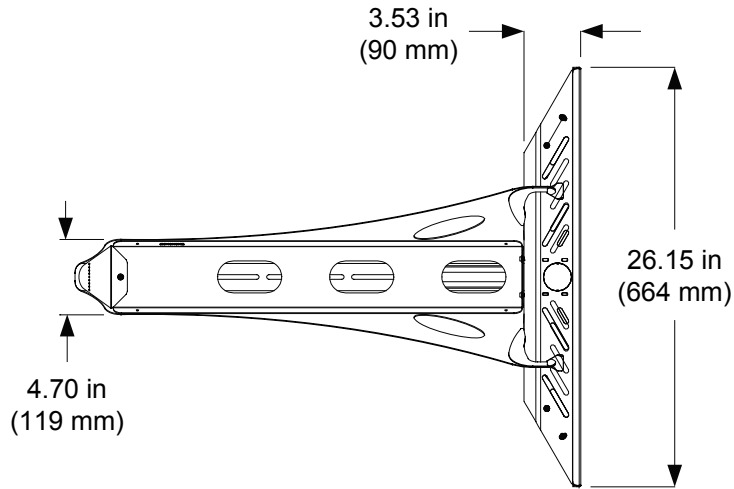
Overall Dimensions – Rear View



Overall Dimensions – Side View

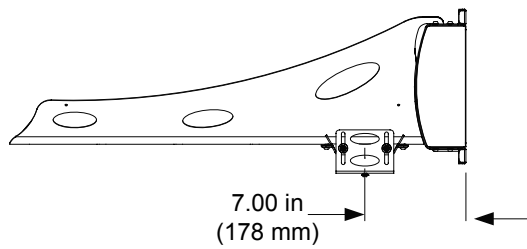


Overall Dimensions – Top View

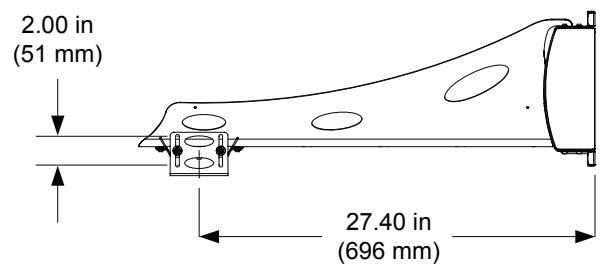


Overall Dimensions – Minimum and Maximum Projector Mounting Distance from Wall

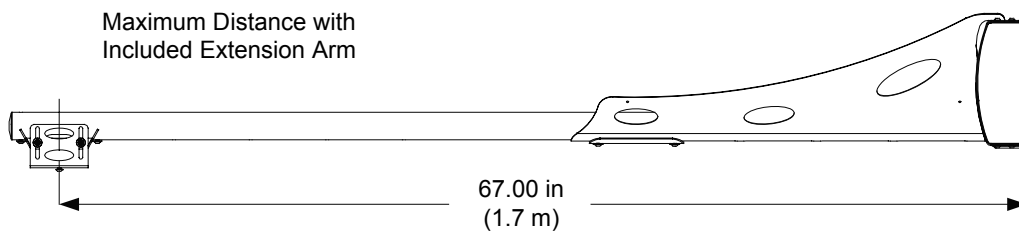
Minimum Distance



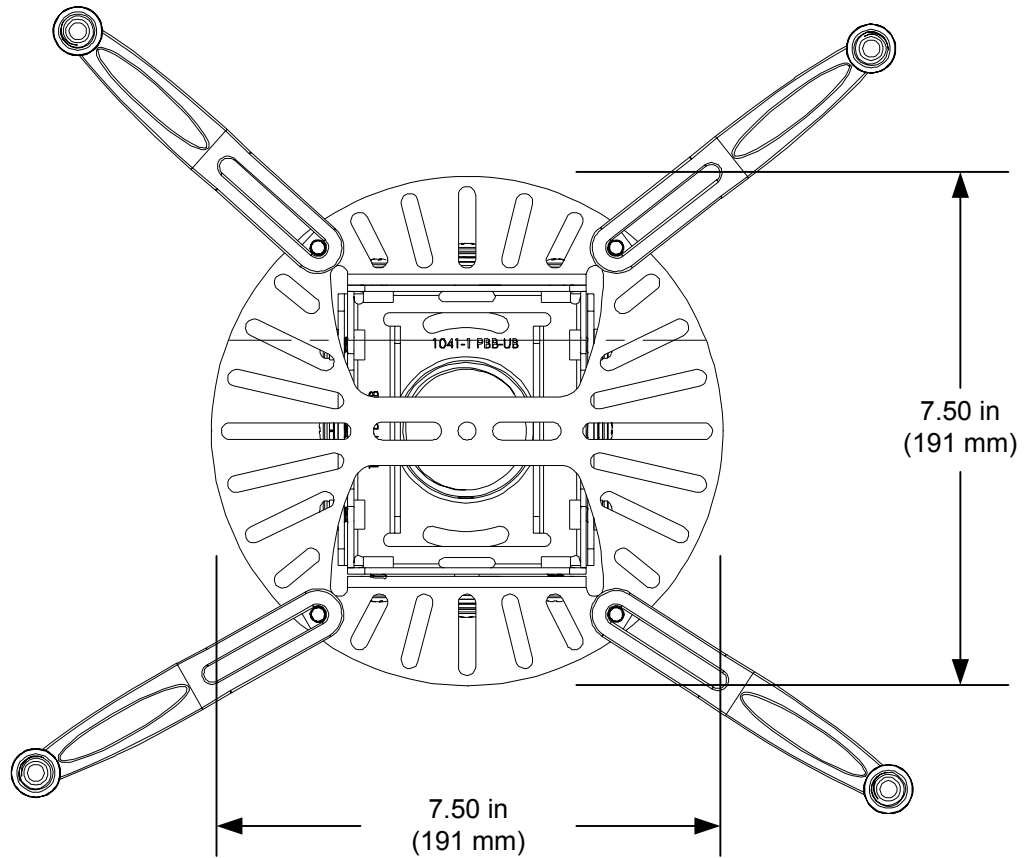
Maximum Distance



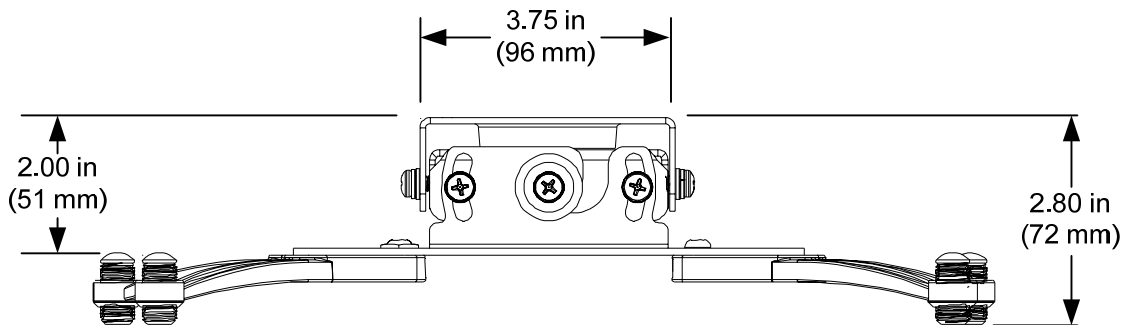
Maximum Distance with Included Extension Arm



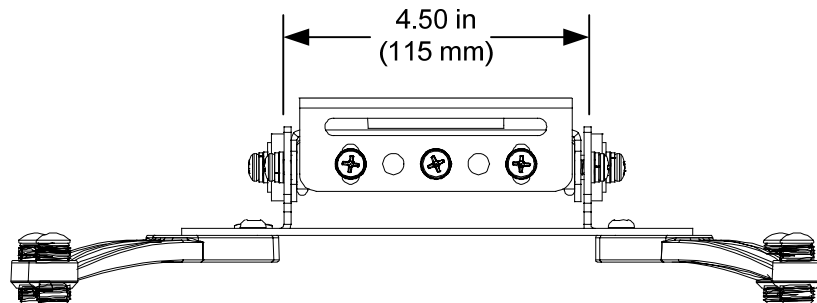
Overall Dimensions – Universal Projector Ceiling Mount (Bottom View)



Overall Dimensions – Universal Projector Ceiling Mount (Side View)



Overall Dimensions – Universal Projector Ceiling Mount (Front View)



Installation

This section provides installation procedures for mounting the PMTW-50-W on a wall. Be sure to review the procedures before starting.

Security Hardware



The PMTW-50-W comes with the option of using security screws. To use the security screws, replace the Phillips Pan head screws with the security screws throughout this installation procedure. Look for the padlock icon in the margin, shown to the left, throughout this guide for steps that can use the security screws.

To tighten hardware, use the supplied Security Allen wrench. For further details and additional security measures, refer to the “Appendix A: Install Security Barrel” on page 30.

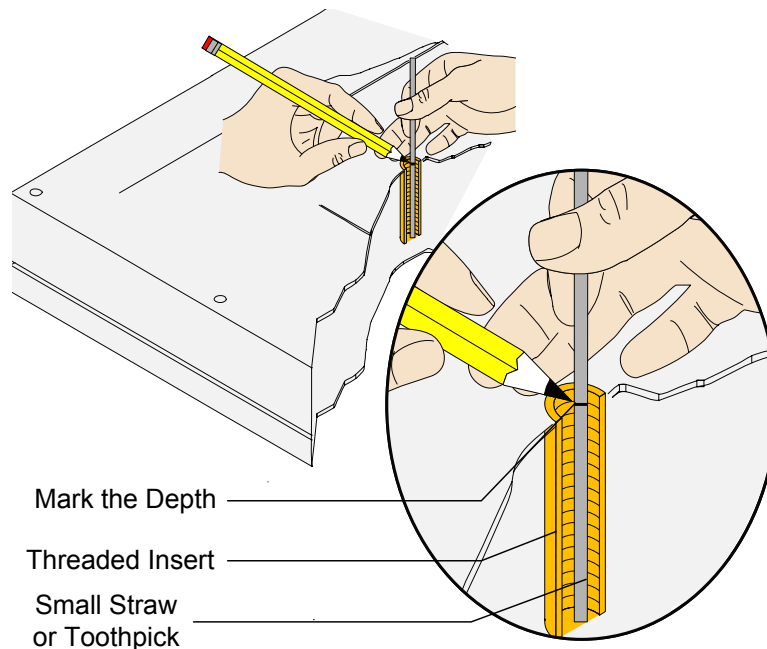
Attach Mounting Hardware to the Projector

After locating the mounting points on the bottom of the projector, follow the procedure below to attach the mounting hardware.

NOTE: Attach only to the projector manufacturer’s specified mounting points on the projector chassis with a minimum of three mounting legs. Please follow all safety instructions specified by the projector manufacturer as well as the safety instructions outlined in this manual.

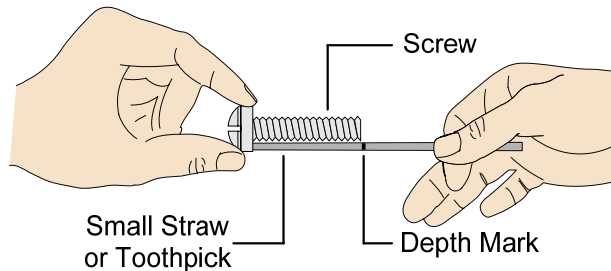
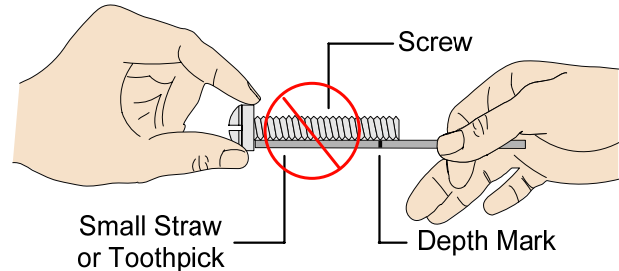
1. Insert a small straw or toothpick into the thread inserts found on the bottom or top of the projector.
2. Use a pencil to mark the depth of the thread insert on the small straw or toothpick, as shown in the following illustration.

Mark Thread Depth



3. Insert the small straw or toothpick into the remaining thread inserts to compare and verify their depth.

- Using the supplied mounting screws select the correct diameter screw for the thread insert. If the screw you selected is longer than the length indicated by the mark on the small straw or toothpick, do not use this screw. The screw length must not bypass the mark. Refer to the following illustration.

Correct Screw Length**Incorrect Screw Length**

- Test the size of each of the screws provided. The correct screws should thread easily into the mounting point and not pull out when tension is applied.

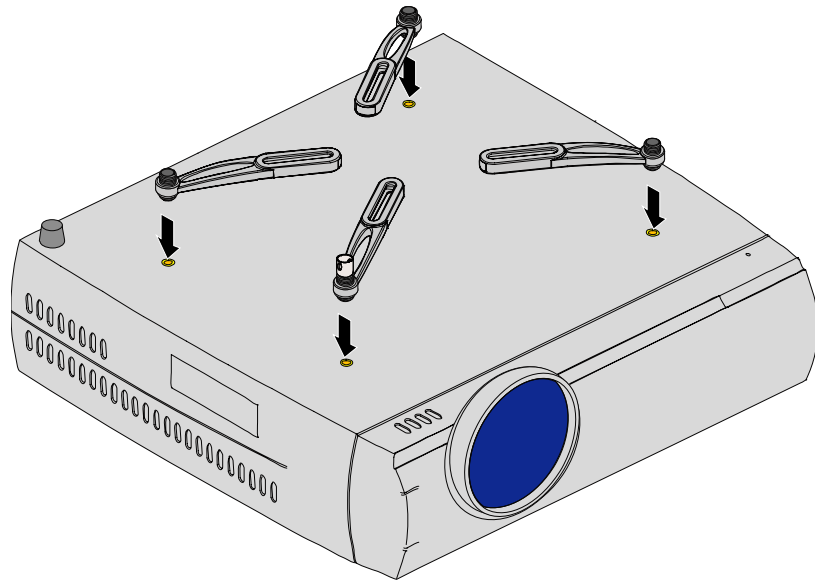
NOTE: If mounting the projector using the included M2.5 or M3 mounting hardware and your hardware is too long, refer to “Appendix B: Adjust Mounting Screw Length” on page 32 for an alternative mounting method.

If your projector has multiple mounting points, proceed to “Multiple Mounting Point Procedure” below. If your projector has a single mounting point, refer to “Single Mounting Point Procedure” on page 12.

Multiple Mounting Point Procedure

- Locate the mounting points on the projector.
- Position an appropriate number of mounting legs on the projector. You can use any combination of three or more mounting legs, depending on the number and location of the thread inserts on your projector. Refer to the illustration that follows.

Possible Mounting Scenario – Shown with Optional Security Barrel Installed

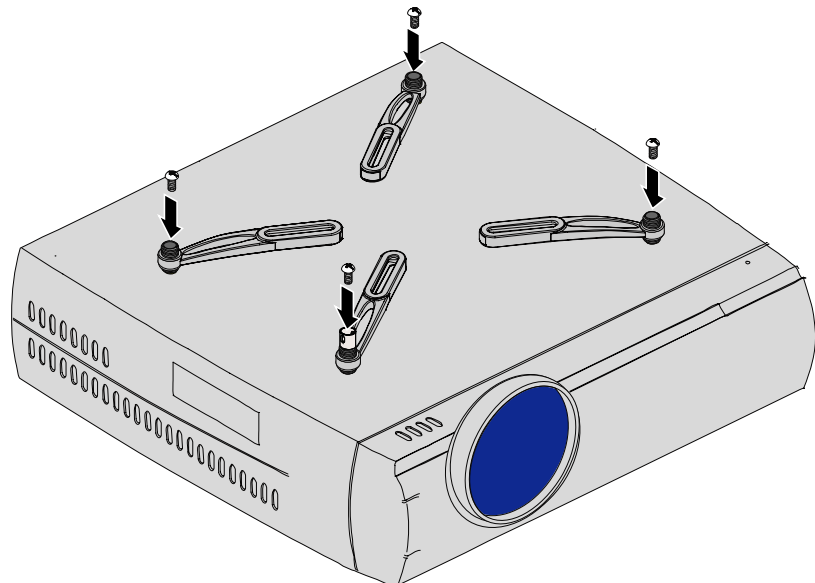


NOTE: The number and placement of mounting points on projectors varies between projector manufacturers. Refer to your projector’s technical specifications for the number and location of the mounting points on your specific projector.



3. Attach the appropriate number of mounting legs to the projector using the corresponding mounting hardware.

Attach Mounting Legs

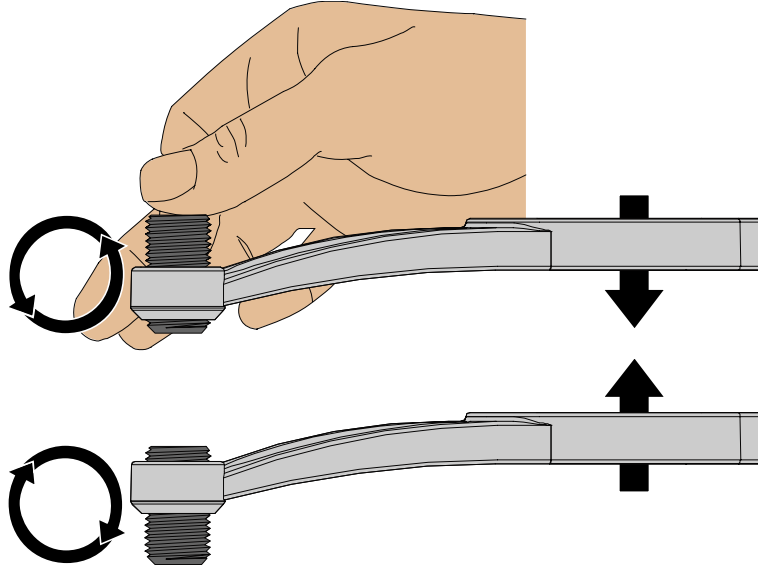


NOTE: Depending on your application, the long mounting legs and the short mounting legs may be used together. There are multiple configurations that may be used combining the long mounting legs with the short mounting legs.

NOTE: Do not tighten the mounting hardware at this time.

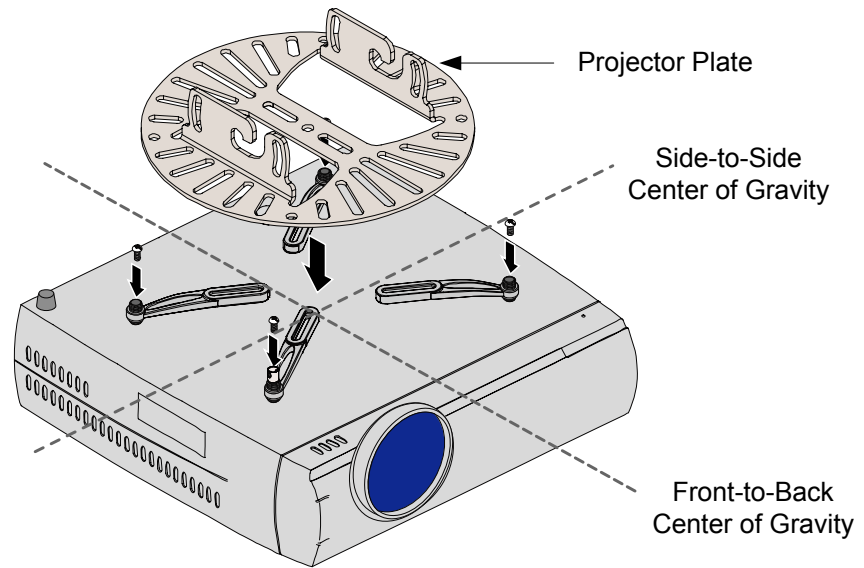
4. Raise or lower each of the mounting legs, by rotating the leveling barrels, until all of the mounting legs are at an equal height.
 - Lower the mounting leg by rotating the leveling barrel counter-clockwise.
 - Raise the mounting legs by rotating the leveling barrel clockwise.

Raise or Lower Leveling Barrels



5. When the desired position is achieved, tighten the mounting screws to the projector. Refer to the illustration titled, "Attach Mounting Legs" which can be found on page 8.
6. Identify the projector's approximate front-to-back center of gravity. Place your hands on each side of the projector and gently lift it an inch from the surface on which it is resting. Carefully adjust your grip on the projector until it seems balanced from front-to-back. Mentally note the apparent center of gravity.
7. Identify the projector's approximate side-to-side center of gravity. Place your hands on the front and back of the projector and gently lift it an inch from the surface on which it is resting. Carefully adjust your grip on the projector until it seems balanced from side-to-side. Mentally note the apparent center of gravity.
8. Place the projector plate on top of the mounting legs with the center of the plate as close as possible to the projector's center of gravity. Refer to the illustration that follows.

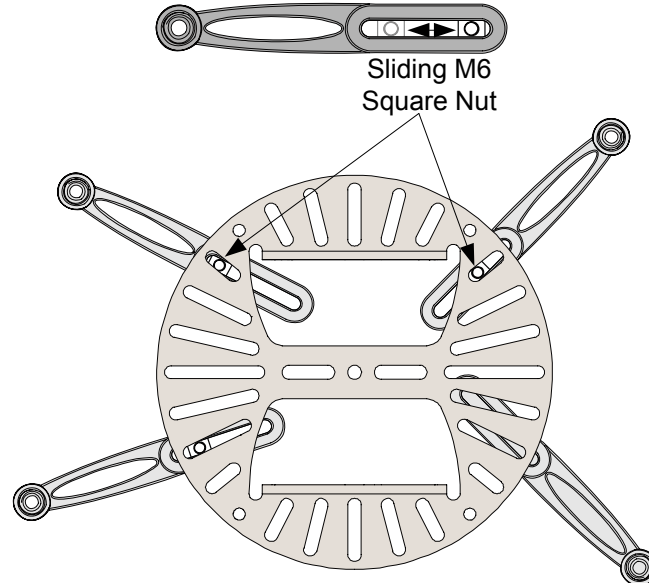
Locate Projector's Center of Gravity



9. Position the legs accordingly for best configuration .You may raise or lower each leg independently by turning the leveling barrels.
10. Secure the legs to the projector plate by screwing M6 x 12 mm security screws into the M6 square nut (do not overtighten) on the mounting legs.



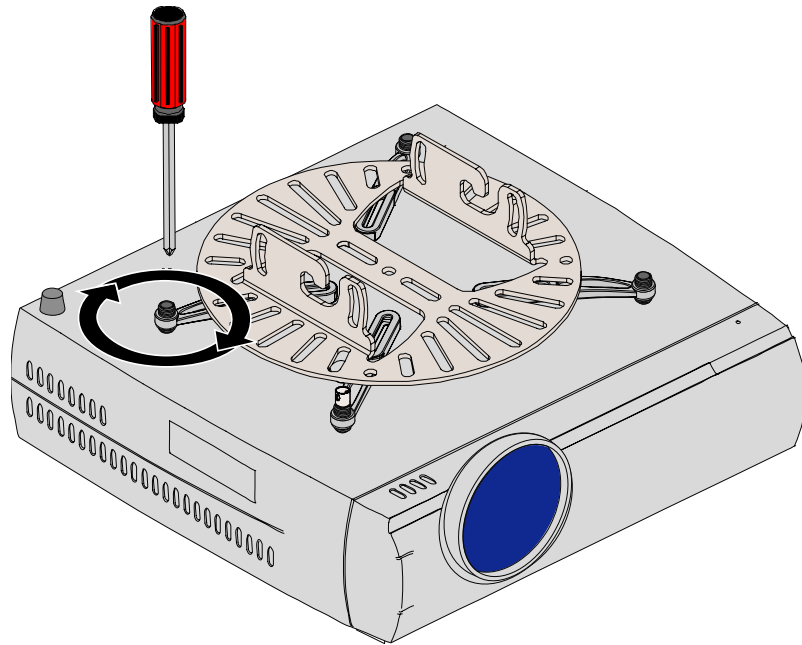
Assembly Overview



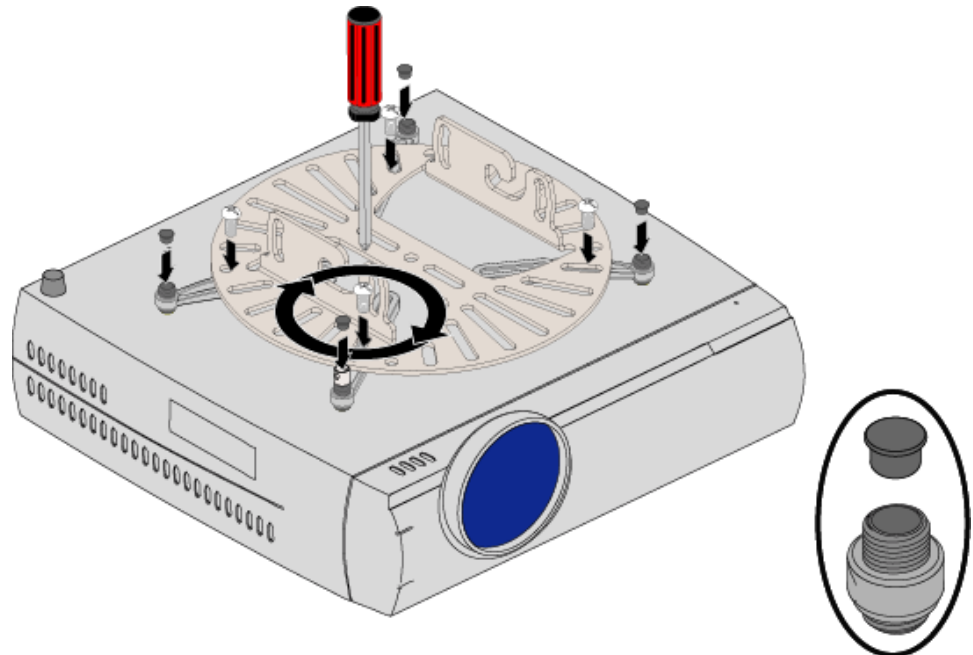
11. Verify the position of the integrated sliding M6 square nut in the mounting leg relative to a nearby slot on the projector plate.

NOTE: If the M6 square nut is not aligned with any slot, you can use any thin implement, such as a toothpick, to nudge it into alignment.

12. Tighten the mounting screws which secure the mounting legs to the projector. Do not overtighten the mounting screws.

Tighten Mounting Screws

13. Attach the projector plate to each of the mounting legs by inserting and tightening one M6 x 12 mm screw through the projector plate into the M6 square nut on each of the mounting legs.

Tighten Projector Plate Screws

NOTE: Do not overtighten the M6 x 12 mm screws.

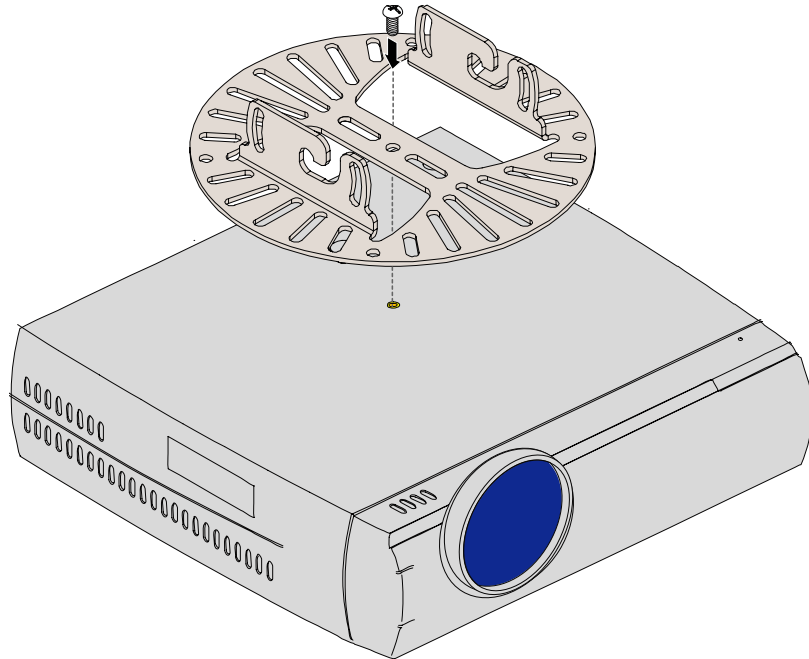
14. Insert one barrel cap into the end of each leveling barrel.
15. Proceed to “Determine the Installation Height” which starts on page 12.

Single Mounting Point Procedure

If your projector has only one mounting point, a 1/4 - 20 x 5/16" screw must be used to attach the mount to the projector. Follow the procedure below to mount the projector plate.

1. Determine where the mounting point is located.
2. Place the projector plate over the mounting point.
3. Insert and tighten the 1/4 - 20 x 5/16" security screw. Do not overtighten.

Mount Projector Plate with Single Mounting Point



4. Proceed to "Determine the Installation Height" below.

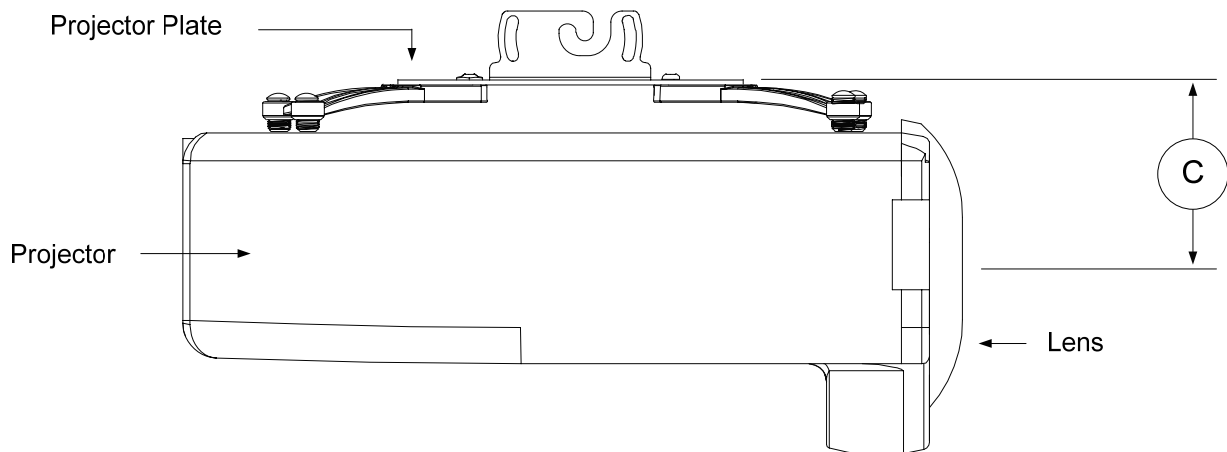
Determine the Installation Height

NOTE: Refer to your projector's manual to determine the offset (distance) of the projector lens to the top of the screen/whiteboard.

Determine the height on the wall that the mounting bracket will be attached. Follow the steps below to mark the mounting location on the wall where the screen is hung.

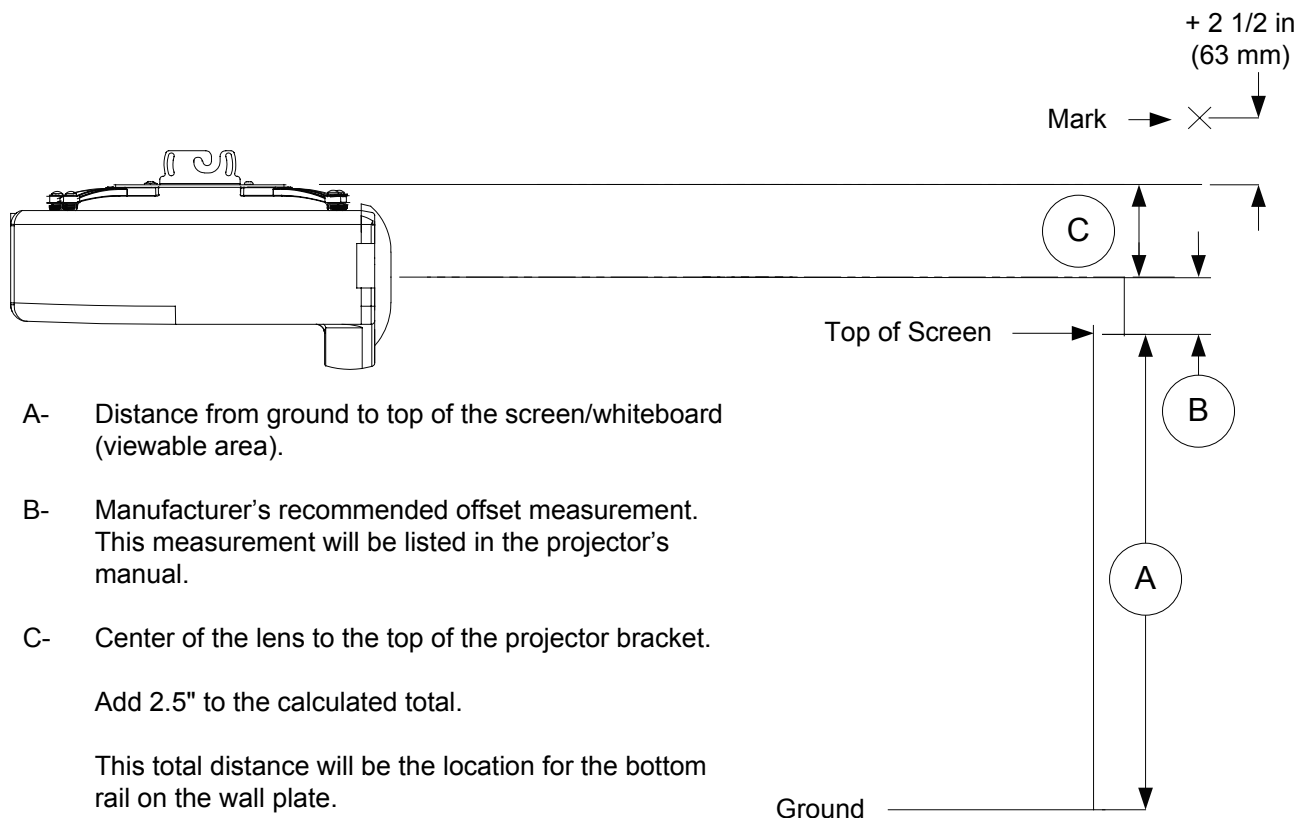
1. Measure the distance from the center of the lens to the top of the projector plate. Refer to the distance represented by the letter *C* in the illustration that follows.

Measure Distance from Lens to top of Projector Plate



2. Determine the distance from the ground to the top of the screen, refer to letter *A* in the illustration below.
3. Determine the projector manufacturer's recommended offset from the projector manual, refer to letter *B* below.
4. Add the three measurements and include 2.5" (64 mm) to the total to determine the mounting height mark. For example: $A + B + C + 2.5'' =$ mounting height. Place a mark on the wall at the top of the total calculated height measurement starting from the ground up. This mark will represent the lower edge of the wall plate.

Determine the Installation Height



- A- Distance from ground to top of the screen/whiteboard (viewable area).
- B- Manufacturer's recommended offset measurement. This measurement will be listed in the projector's manual.
- C- Center of the lens to the top of the projector bracket.

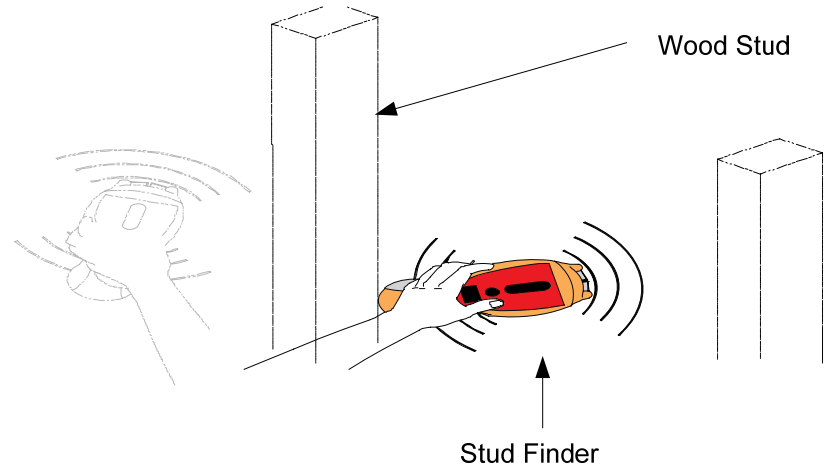
Add 2.5" to the calculated total.

This total distance will be the location for the bottom rail on the wall plate.

Locate and Attach to Wood Stud

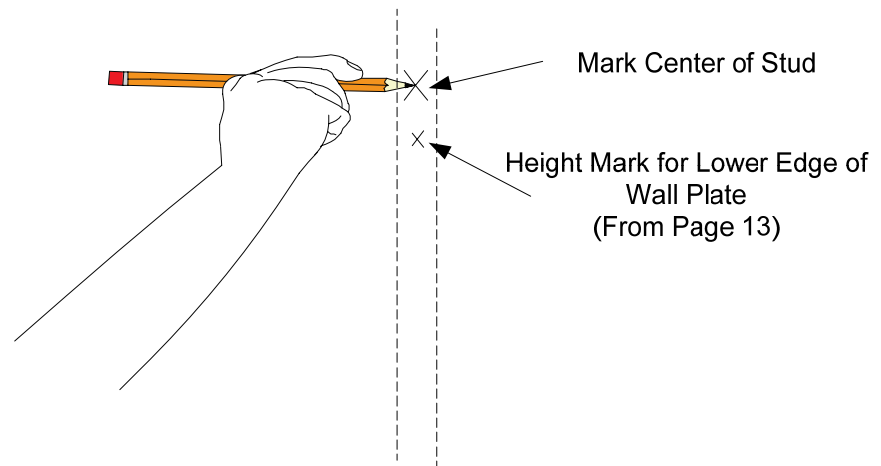
1. Use an electronic stud finder (not supplied) to locate the center of the stud that is in the wall. Refer to the illustration that follows.

Locate Center of Stud using Stud Finder



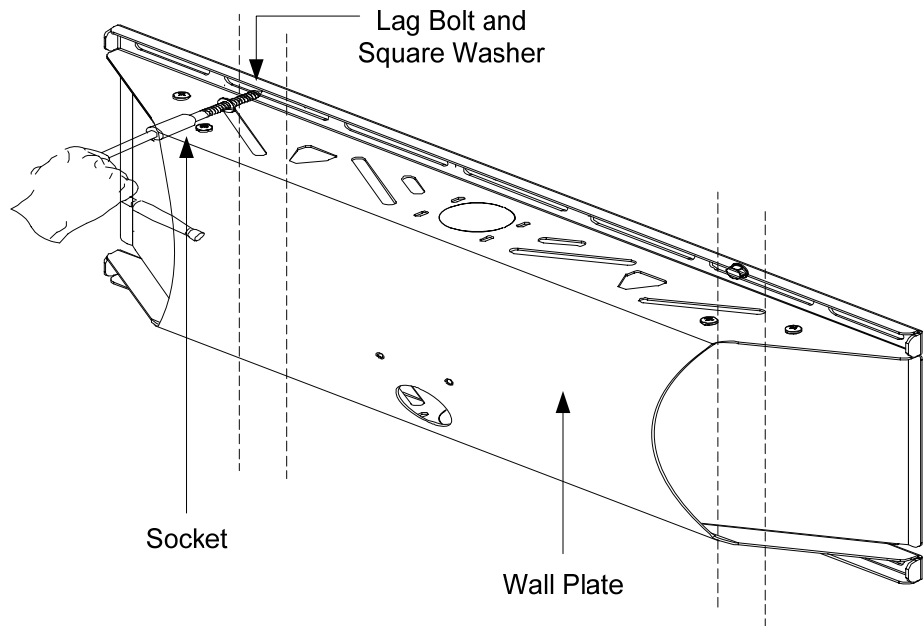
2. Use a pencil to mark the center of the wood stud, just above your height mark that was made in the “Determine the Installation Height” section which starts on page 12.

Mark Mounting Point



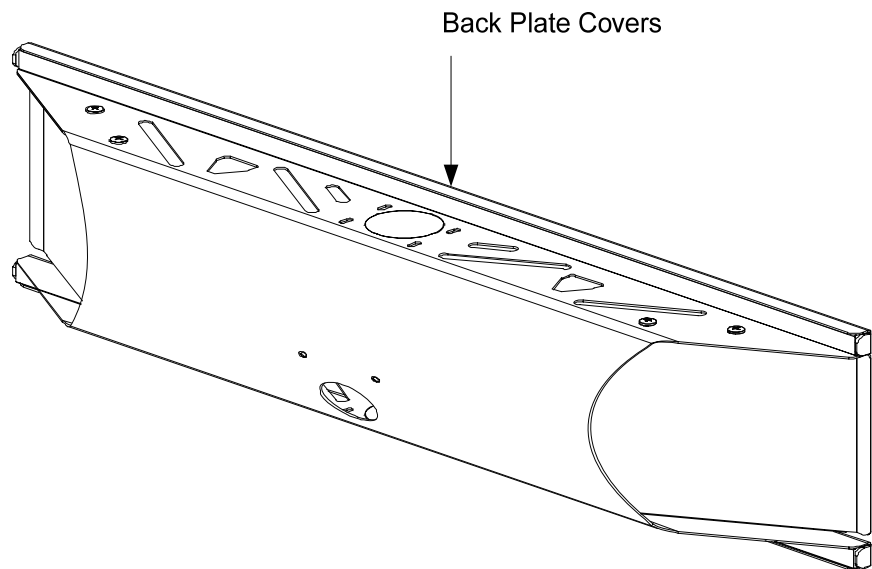
3. Use a level to make sure the wall plate is level from side to side. Refer to the illustration that follows for visual guidance.
4. Place the wall plate over the first mounting point mark and use a pencil to mark the rest of the mounting points.

Secure Mounting Plate with Lag Bolts and Socket Wrench



8. Insert and gently tap the upper and lower back plate covers into place. Refer to the illustration below for visual guidance.

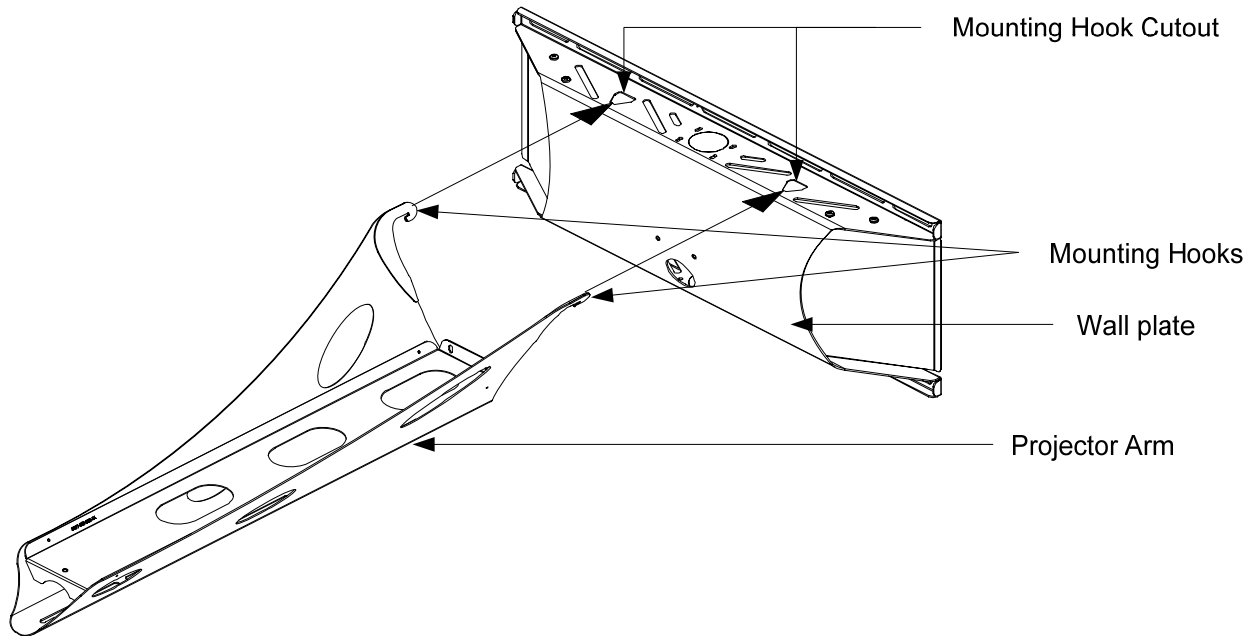
Insert Back Plate Covers



Attach the Projector Arm

1. Locate the mounting hook cutout on the top of the wall plate.
2. Tilt the arm slightly and gently insert the mounting hooks into the mounting hook cutouts.
3. Slowly lower the projector arm and let it rest against the wall plate.

Place Projector Arm on Mounting Plate

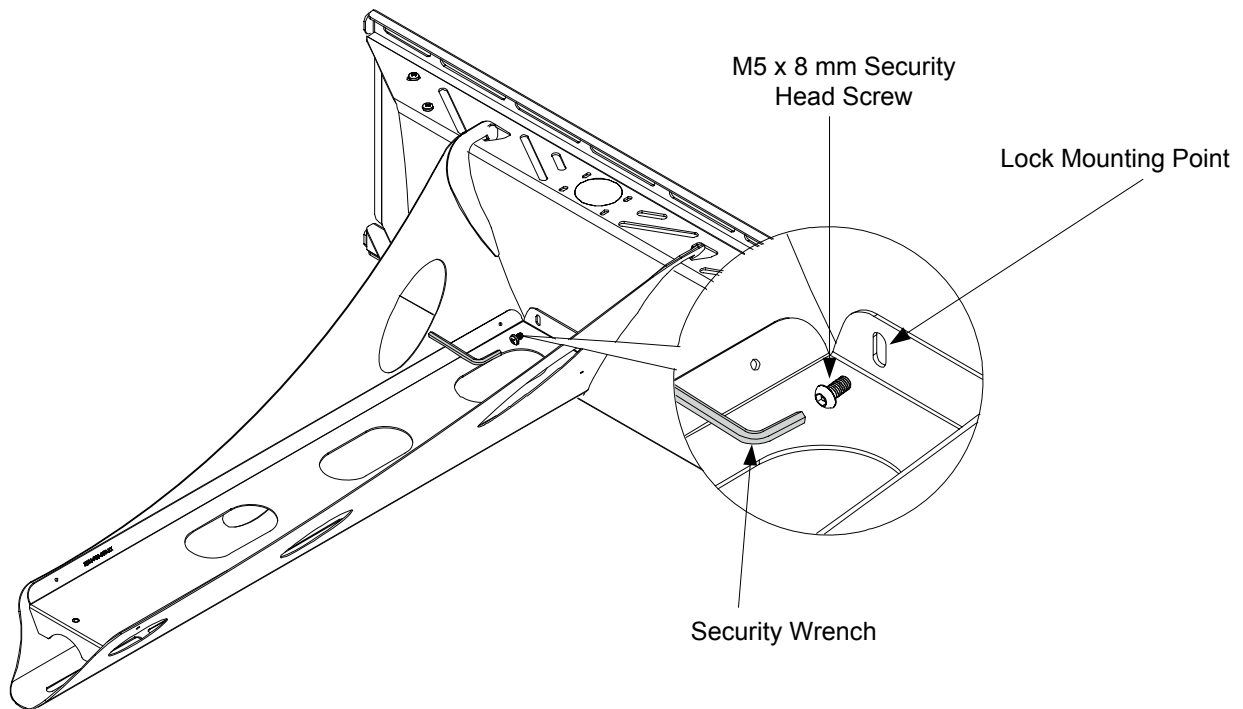


WARNING: To prevent damage to the projector arm and/or personal injury, make sure the projector arm is fully seated before releasing the unit.

NOTE: If using the storage feature of the product, it may be easier to route any wiring at this time, refer to “Appendix C: Cable Management” which starts on page 33 for further details.

4. Locate the two lock mounting points on the projector arm. These two points will be aligned with the lock mounting points on the wall plate.
5. Using a security wrench, insert and tighten two M5 x 8 mm security head screws. Refer to the illustration on the following page for more details.



Secure Projector Arm to Wall Mount

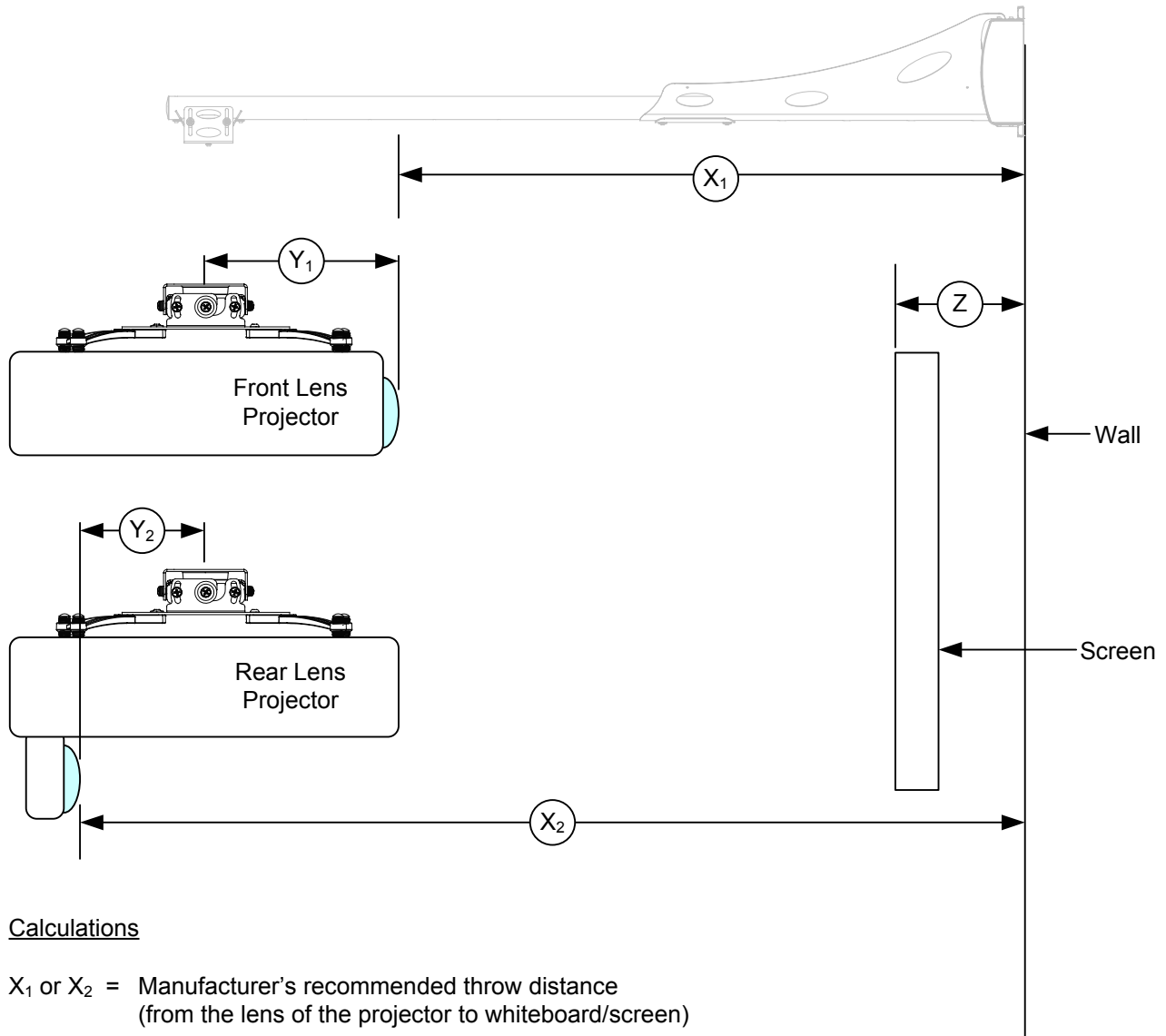
NOTE: Do not overtighten these screws.

Projector Placement Calculation

Review the manual that came packaged with your projector before attaching the upper mounting bracket. The correct throw distance (the distance from the projector to the whiteboard/screen) must be determined prior to mounting the projector. Complete the following procedure to determine the throw distance.

1. Refer to the projector's manual to determine the distance from the lens to the front of the screen, designated as X in the following image.
2. Measure the distance from the front of the lens to the center of the projector, designated as Y in the following image.
3. Measure the distance from the wall on which the screen is mounted to the face of the whiteboard/screen, designated as Z in the following image.
4. Calculate the measurements to determine projector placement on the arm assembly. This measurement will determine where the center of the mounting bracket will be located on the arm assembly. Refer to the illustration on the following page for the equations. Please make note of this measurement.

Calculate Projector Mounting Distance from Wall



Calculations

X_1 or X_2 = Manufacturer's recommended throw distance
(from the lens of the projector to whiteboard/screen)

Y_1 or Y_2 = Distance from lens to center of projector mount

Z = Distance from wall to face of whiteboard/screen

Front Lens Projector Mounting Distance:
 $X_1 + Y_1 + Z$

Rear Lens Projector Mounting Distance:
 $X_2 - Y_2 + Z$

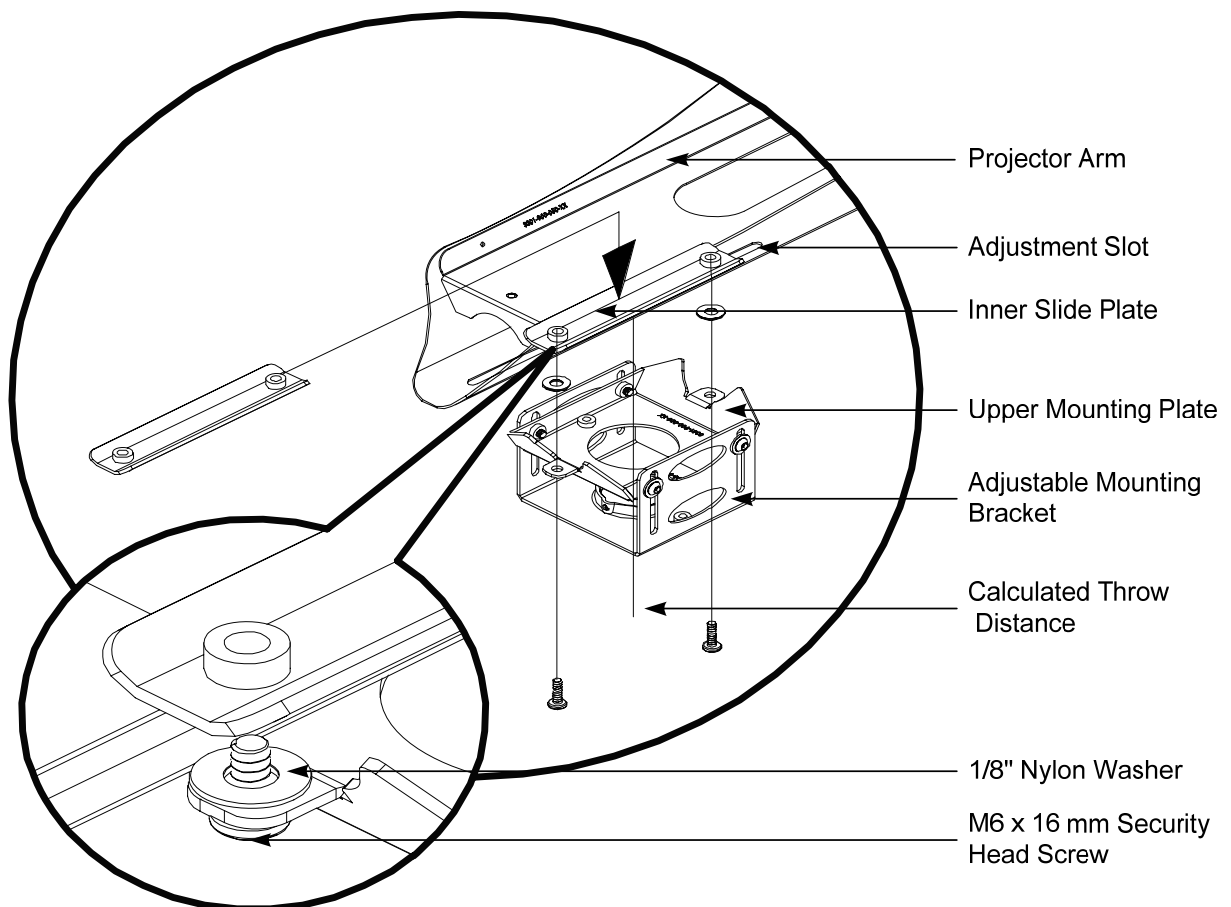
NOTE: The PMTW-50-W can be used as a wall-mounted standard-throw projector mount as well as a short-throw projector mount. Align the projector facing the opposite direction from the wall plate to project the image across the room. Please take into account the projector's throw capabilities prior to mounting the projector in the opposite direction.

Adjustable Mounting Bracket Installation

Install the adjustable mounting bracket by completing the following procedure. Refer to the illustrations on the following pages for visual guidance.

1. Insert the inner slide plate into the projector arm.
2. Determine which adjustment slot best matches your throw distance calculation.
3. Align the mounting holes of the upper mounting plate with the mounting holes on the inner plate.

Assemble Adjustable Mounting Bracket



NOTE: One 1/8" nylon washer must be placed between the adjustable mounting bracket and the projector arm for each screw.



4. Secure and finger tighten two M6 x 16 mm security head screws.

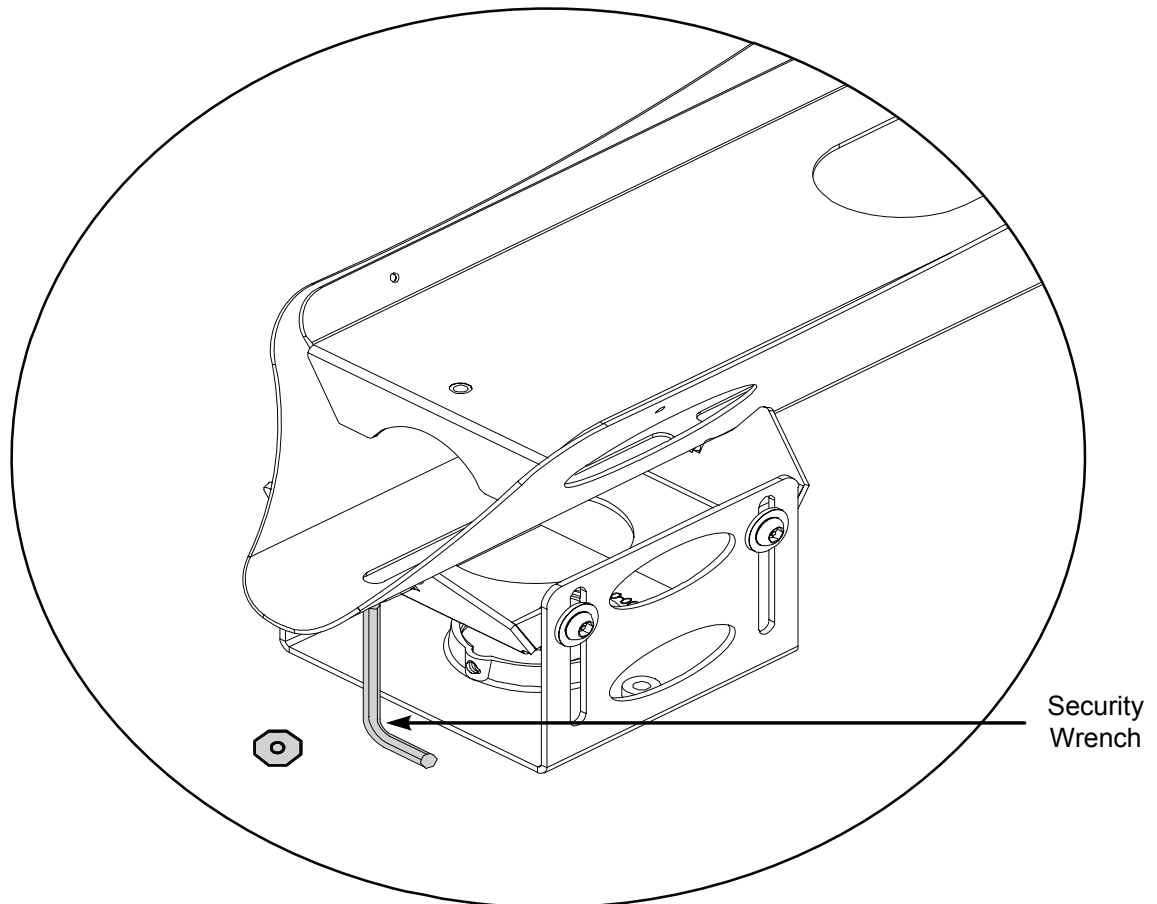
NOTE: If using the optional extension arm proceed to "Extension Arm Installation" which starts on page 22.

5. Verify the throw distance and use the security wrench (supplied) to tighten the mounting screws.

NOTE: If the adjustable mounting bracket needs to be adjusted, the four M6 x 12 mm security screws may be loosened so that the bracket can be moved $\pm 2''$ (51 mm). Once the desired height has been achieved, re-tighten the hardware. Refer to the illustration on the following page.

NOTE: Do not overtighten these screws.

Secure Mounting Bracket Installation Screws



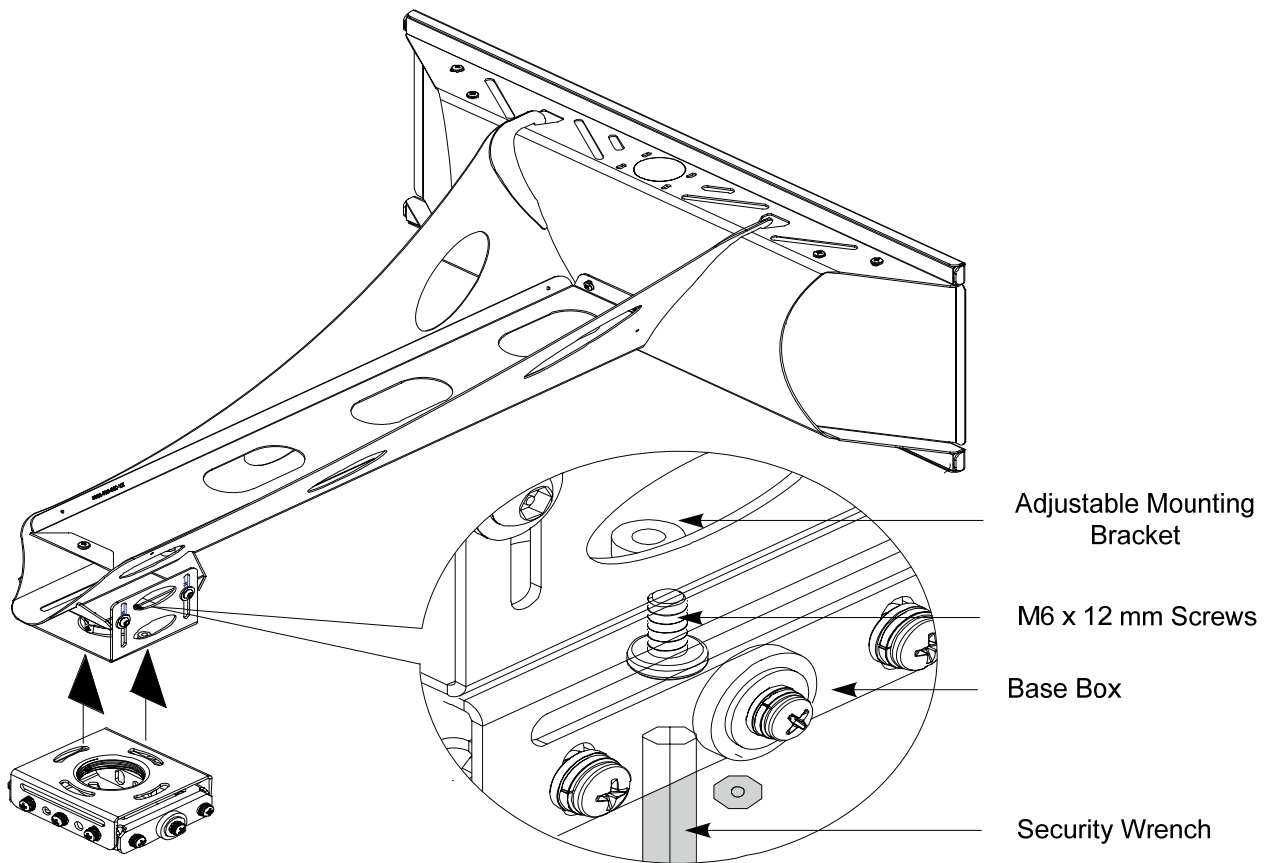
Attach the Base Box to the Adjustable Mounting Bracket

NOTE: The M6 x 12 mm security head screws must be mounted from the underside of the base box.

NOTE: Do not overtighten these screws.

1. Raise the base box to the upper mounting bracket.
2. Align the two mounting holes located on each side of the bracket.

Attach Base Box to Adjustable Mounting Bracket



3. Using a security wrench, insert and tighten two M6 x 12 mm security head screws.
4. Attach the projector to the base box. Refer to the “Attach Projector Bracket to Base Box” section which starts on page 25 for instructions on final adjustments

Extension Arm Installation

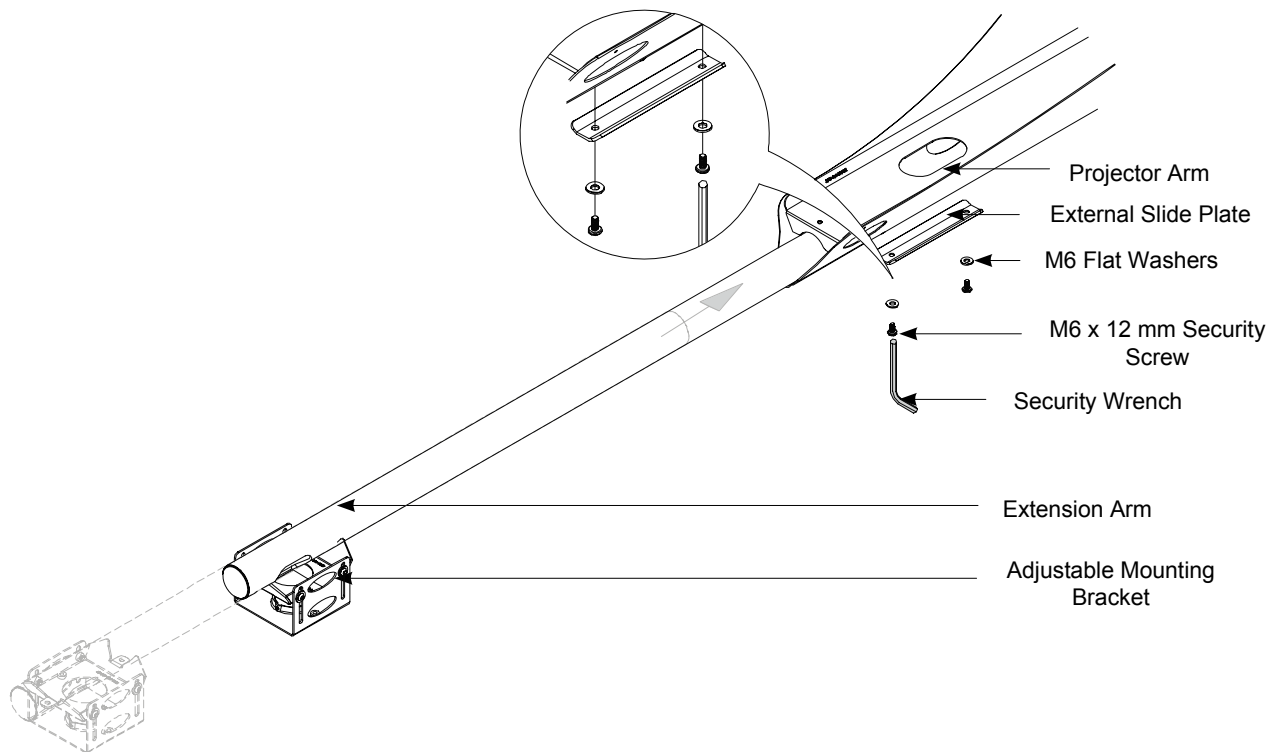
NOTE: Please refer to the projector’s manual to determine the correct throw distance (the distance from the projector to the screen). The throw distance must be determined prior to mounting the projector. Refer to “Projector Placement Calculation” which starts on page 18 for further details.

If the extension arm is being installed at a later date, the end cover of the projector arm must be removed prior to installing the extension arm. Complete the procedure below to assemble the extension arm with the projector arm. Refer to the illustration on the following page for visual guidance.

1. Slide the extension arm into the open end of the projector arm; the front of the mount.
2. Adjust the length so that the center of the adjustable mounting bracket matches the throw distance calibration.

- Line up the mounting holes on the extension arm with the mounting slots on the projector arm.

Assemble Extension Arm and Adjustable Mounting Bracket with Projector Arm



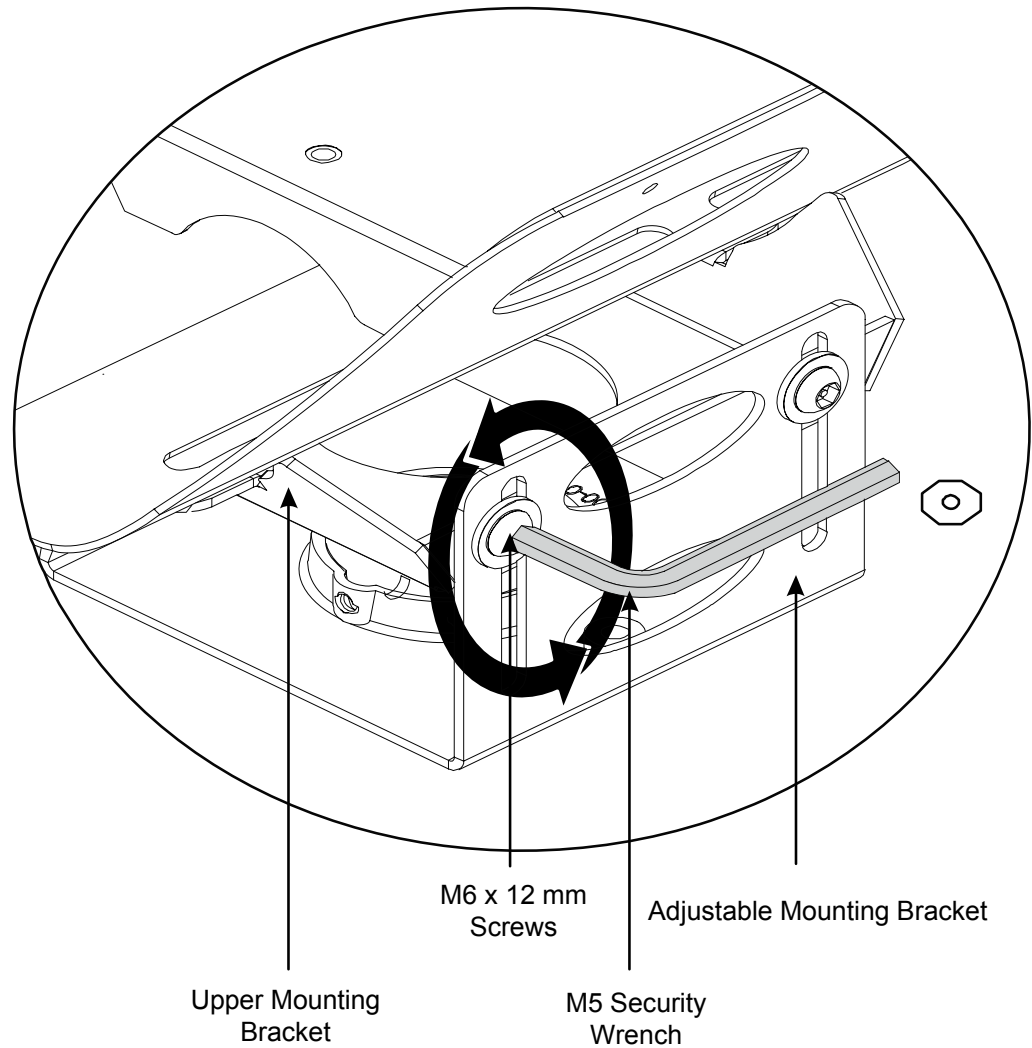
- Using a security wrench, insert and tighten two M6 x 12 mm security head screws and M6 flat washers through the external slide plate and tighten.
- Attach the projector; refer to “Attach Projector Bracket to Base Box” which starts on page 25 for steps on attaching the projector.

Low Profile Bracket Installation

Projector dimensions differ between manufacturers. If the projector hangs too low from the PMTW-50-W, the adjustable mounting bracket may be removed. This will allow you to attach the base box directly to the upper mounting bracket for an even lower profile installation.

- Using an M5 security wrench, remove the four M6 x 12 mm security screws by rotating the security wrench counter clockwise.
- Slide the adjustable mounting bracket off the upper mounting bracket.

Remove Adjustable Mounting Bracket



Attach the Base Box to the Upper Mounting Plate

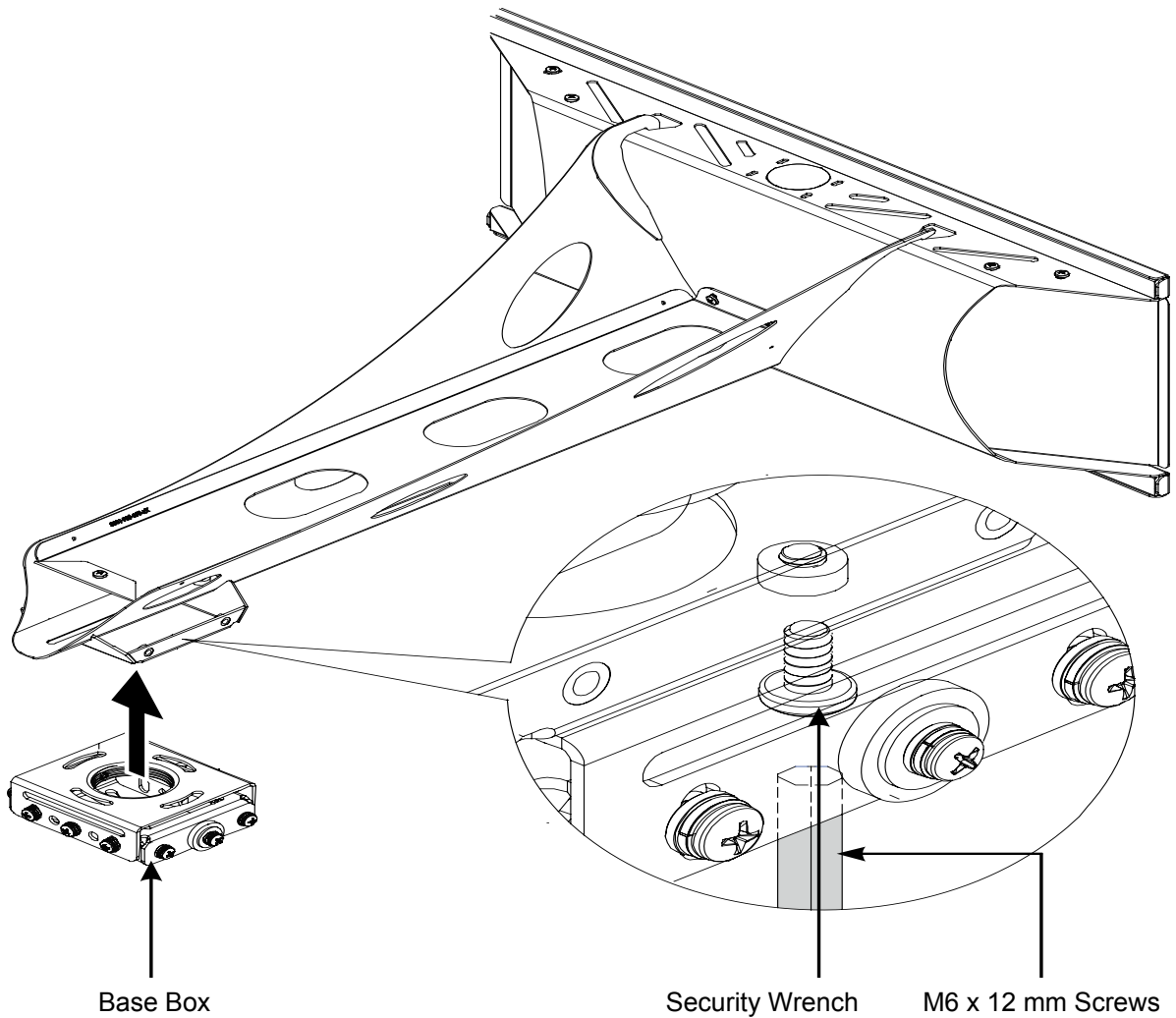
Review the installation instructions that came packaged with the projector before attaching the projector to the upper mounting bracket

The M6 x 12 mm security head screws must be mounted from the underside of the base box.

NOTE: Do not overtighten the screws.

1. Raise the base box to the upper mounting bracket.
2. Align the two mounting holes; one on each side.
3. Using a security wrench, insert and tighten two M6 x 12 mm security head screws.



Attach Base Box to Upper Mounting Plate

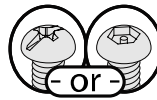
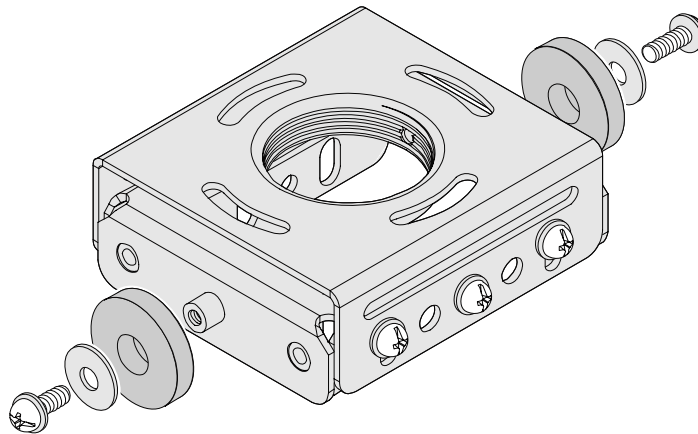
4. Attach the projector to the base box, refer to “Attach Projector Bracket to Base Box” below for steps on attaching the projector.

Attach Projector Bracket to Base Box

1. Place one nylon washer over the hinge pin of the base box.
2. Place one 1/4" flat washer over one M6 x 12 mm screw. Insert and tighten the screw. Refer to the illustration that follows.



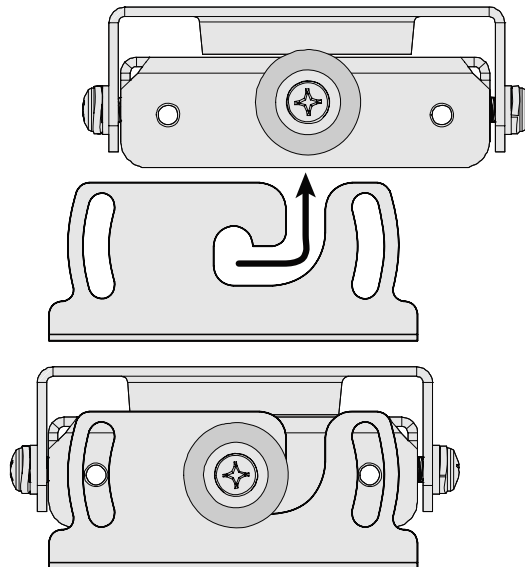
Assemble Base Box for Projector Mounting



NOTE: Do not fully tighten the screw.

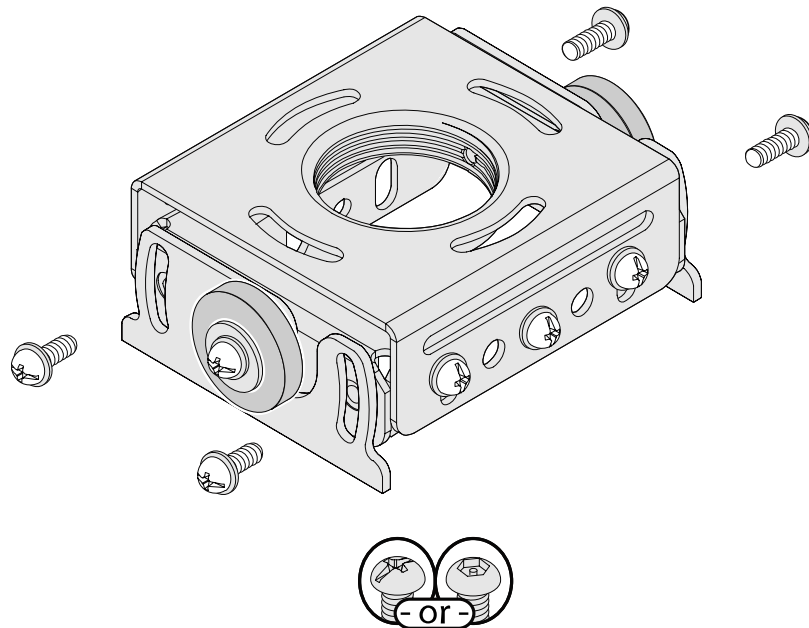
3. Repeat steps 1 and 2 for the opposite hinge pin.
4. Raise the projector (with the projector plate attached) and hook the projector plate over the hinge pins.

Raise the Projector (Projector Not Shown)



5. Make sure the plate is resting on the hinge pins of the base box before letting go of the projector.
6. Insert the four M6 x 12 mm tilt adjustment screws, two per side. Refer to the illustration that follows.



Install Adjustment Screws

7. Tighten all screws.

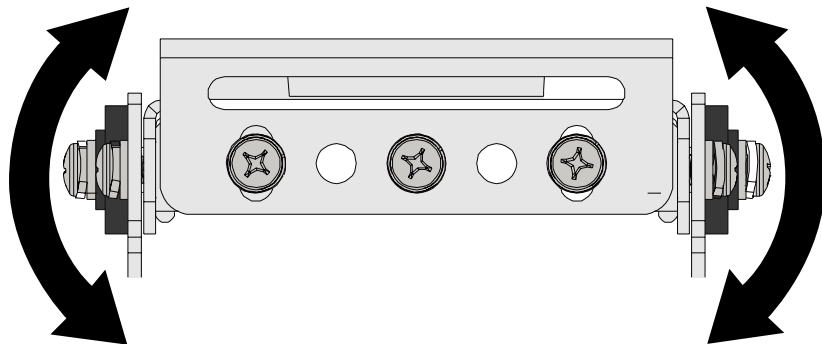
NOTE: Do not overtighten the mounting screws.

Base Box Adjustment

You can adjust the tilt and roll of the projector by loosening the front and rear or side screws.

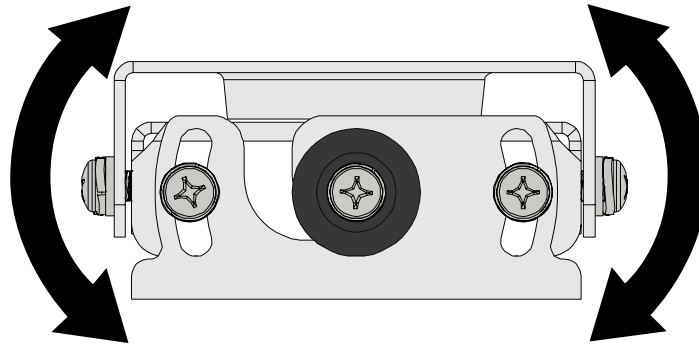
NOTE: Do not fully loosen the screws, as the projector may drop.

Set the desired roll and then tighten the screws. First tighten the center screws and work your way to the outside screws, making any final adjustments prior to tightening the last two screws.

Adjust Roll

You can adjust the tilt of the projector by loosening the two M6 x 12 mm screws on each side of the base box.

Adjust Tilt



Set the desired tilt and then tighten the screws, making any final adjustments prior to tightening the last two screws.

Once all adjustments have been made, tighten all hardware.

NOTE: If your projector is not holding the tilt, install the four internal/external tooth lock washers on the four M6 x 12 mm Phillips head screws with integrated washers.

Set Screw Installation

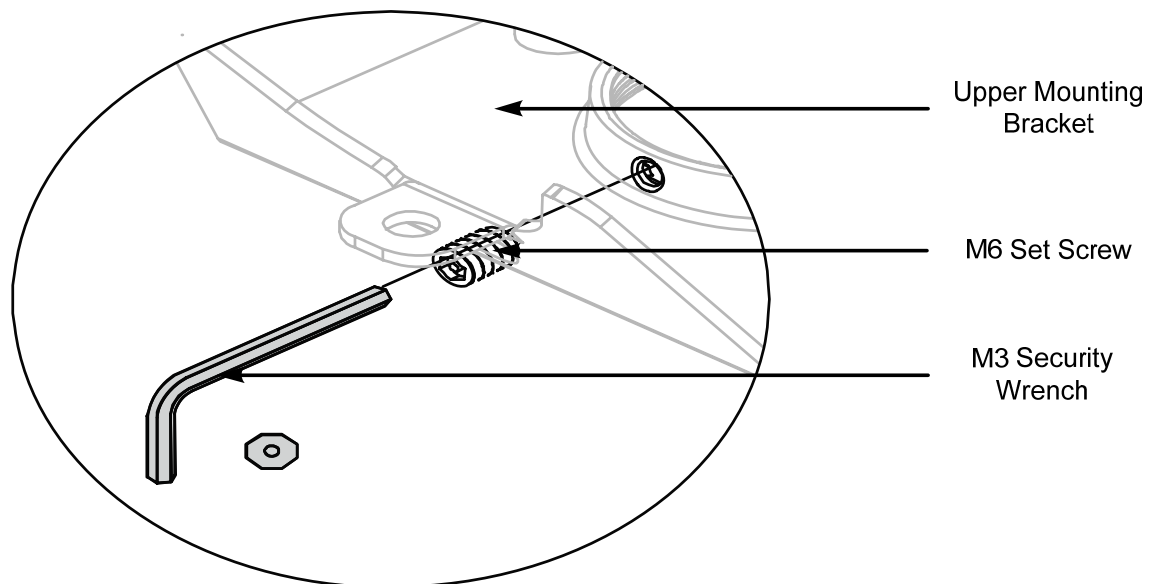


The security set screw will prevent the unit from being removed and from being knocked out of adjustment.

The M6 set screw will be used in conjunction with any standard threaded adapter (sold separately).

1. Thread the threaded adapter until securely fastened.
2. Thread in one M6 x 6 mm set screw.
3. Use an M3 security wrench to tighten the M6 set screw.

Secure Set Screw



Resources

Further Inquiries

If you cannot locate specific information or have questions after reviewing this guide, please take advantage of Crestron's award winning customer service team by calling Crestron at 1-888-CRESTRON [1-888-273-7876].

You can also log onto the online help section of the Crestron website (www.crestron.com/onlinehelp) to ask questions about Crestron products. First-time users will need to establish a user account to fully benefit from all available features.

Future Updates

As Crestron improves functions, adds new features and extends the capabilities of the PMTW-50-W, additional information may be made available as manual updates. These updates are solely electronic and serve as intermediary supplements prior to the release of a complete technical documentation revision.

Check the Crestron website periodically for manual update availability and its relevance. Updates are identified as an “Addendum” in the Download column.

Appendix A: Install Security Barrel

Your PMTW-50-W includes one security barrel which can provide additional theft deterrence for your projector. The illustrations on the following page are two examples of how you can use the security barrel to make your projector installation more secure using a security cable or padlock (both not supplied). The table below lists all parts included in the security screw set.

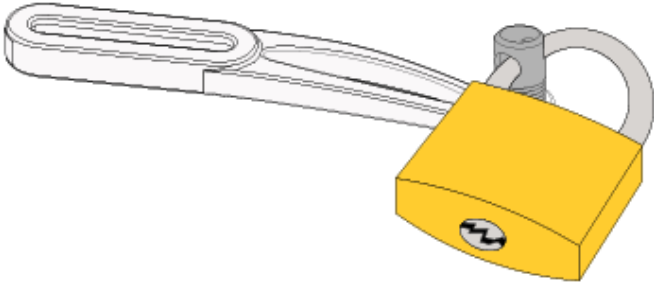
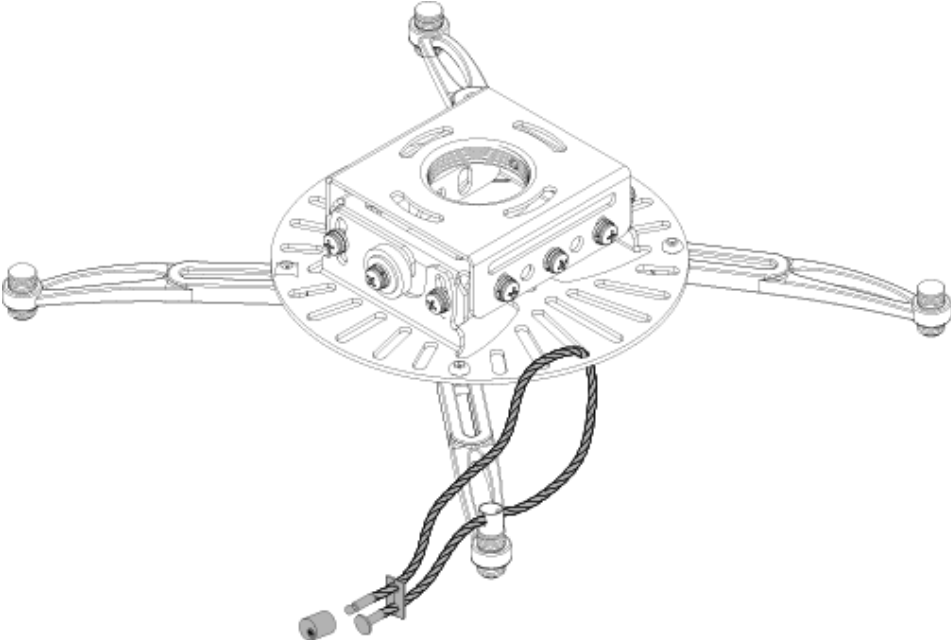
Supplied Hardware for the Security Screw Set

DESCRIPTION	QUANTITY
M6 x 12 mm Security Screw	12
M6 x 8 mm Security Set Screw	1
M3 Security Allen Wrench	1
M2.5 x 12 mm Security Head Screw	4
M5 Security Allen Wrench	1
M3 x 16 mm Security Head Screw	4
M3 Flat Washer	10
M4 x 12 mm Security Head Screw	4
M5 x 12 mm Security Head Screw	4
M6 x 12 mm Security Head Screw	8

If you choose to install the security barrel, please follow the instructions outlined below.

1. Determine which leveling barrel will be removed.
2. Remove the mounting screw.
3. Remove the leveling barrel by turning the leveling barrel counter-clockwise.
4. Thread in the security barrel clockwise.
5. Insert and tighten the mounting screw.
6. Attach theft deterrent device through the hole that is on the security barrel. Refer to the illustration on the following page for visual guidance.

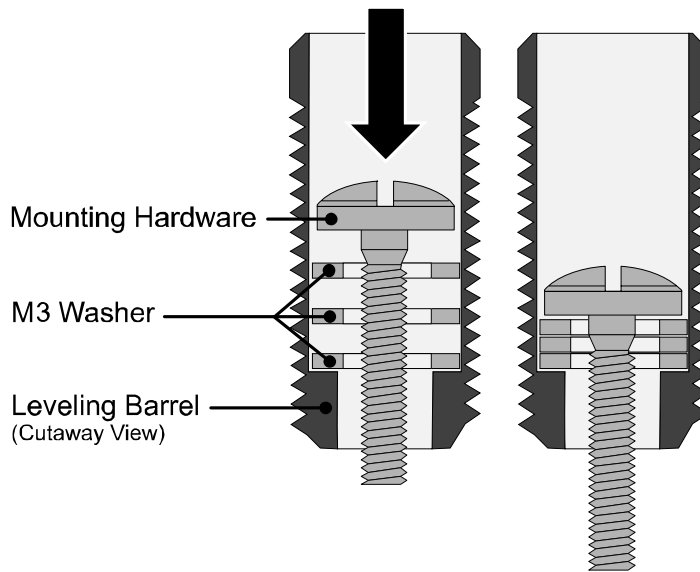
Attach Security Device



Appendix B: Adjust Mounting Screw Length

The depth of some projector mount points may prevent you from tightening the M2.5 and M3 mounting hardware. You can reduce the length of the M2.5 and M3 mounting hardware by stacking up to a maximum of five M3 flat washers inside the leveling barrel.

Reduce Mounting Screw Length Using Washers



NOTE: Avoid stacking too many M3 washers; the mounting hardware must thread into the projector mount point at least four complete turns.

Appendix C: Cable Management

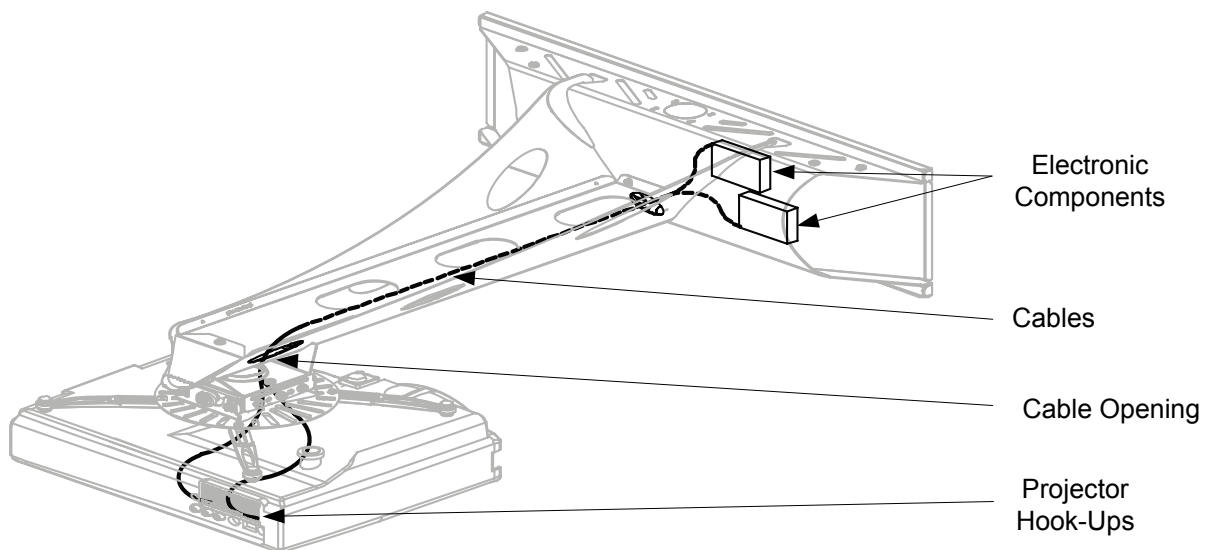
The cable access holes are located at the end of the short throw mount and on the wall plate.

Route the cables through one end of the projector arm.

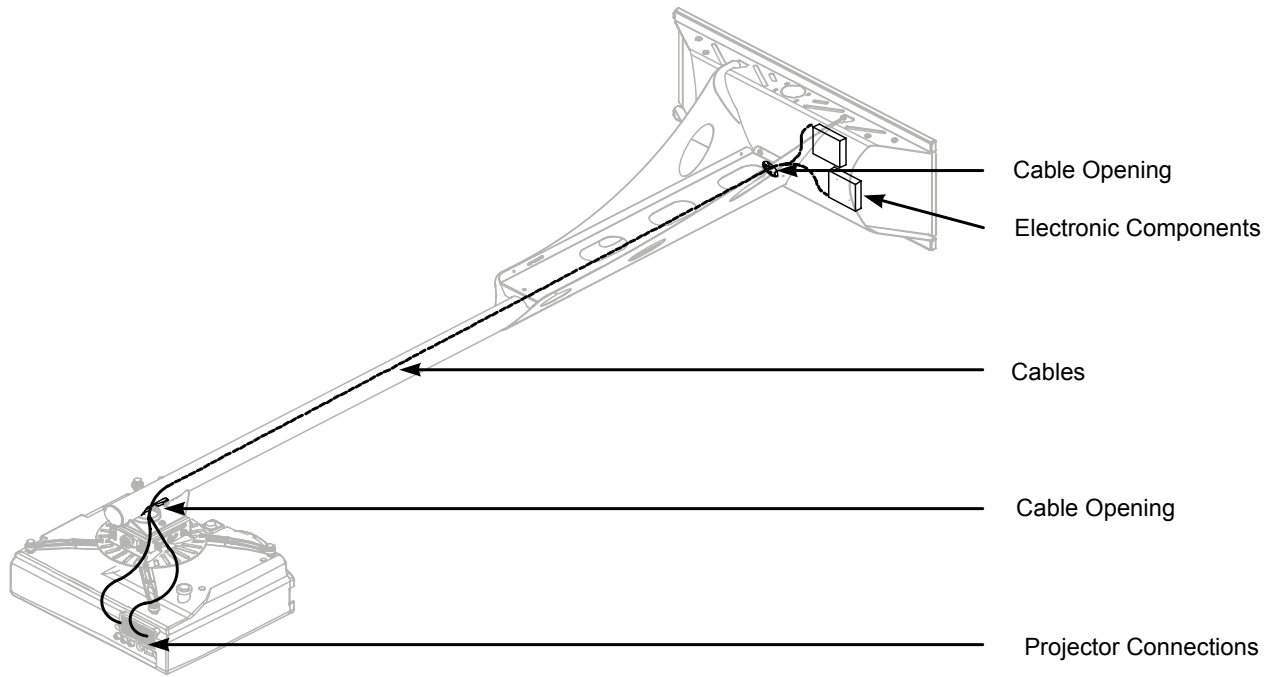
Attach the end cover with an M5 x 8 mm security head screw.

You may direct the cables out the end of the projector arm. The end cover has a perforated tab to allow cables to pass through. Pliers must be used to bend the perforated tab. If the cables will not fit, the end cover may be removed by loosening and extracting the M5 x 8 mm security screw.

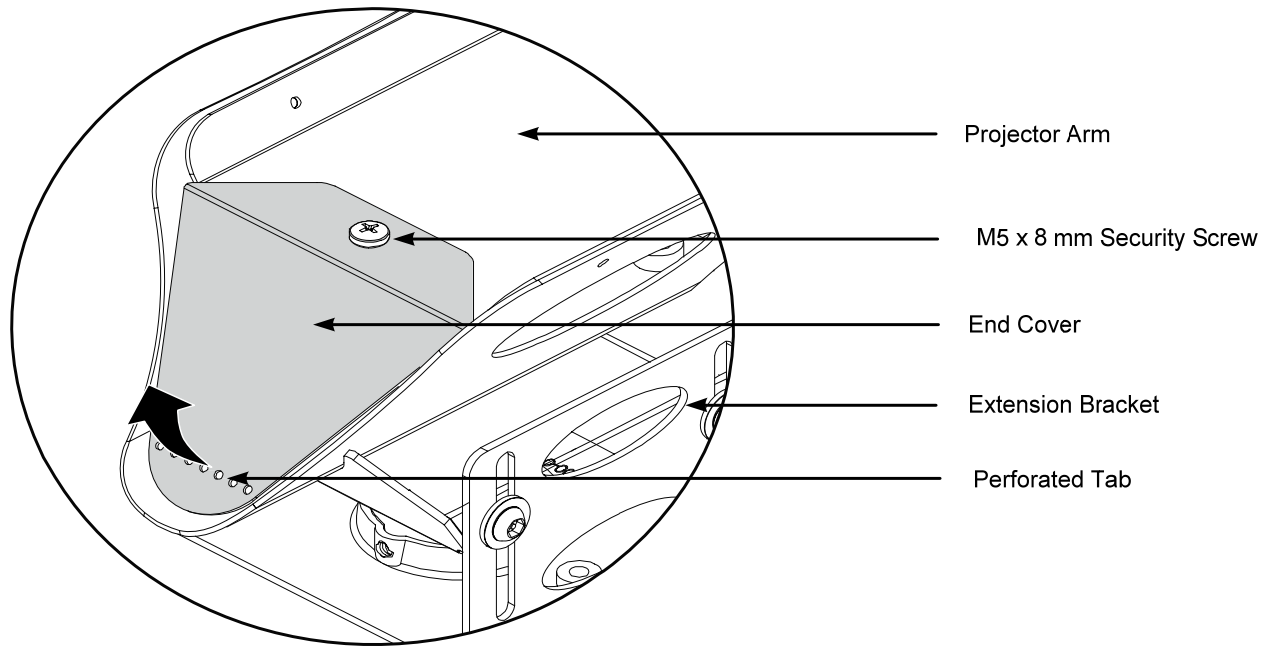
Run Cables to Projector



Run Cables to Projector using Extension Arm



Attach End Cover

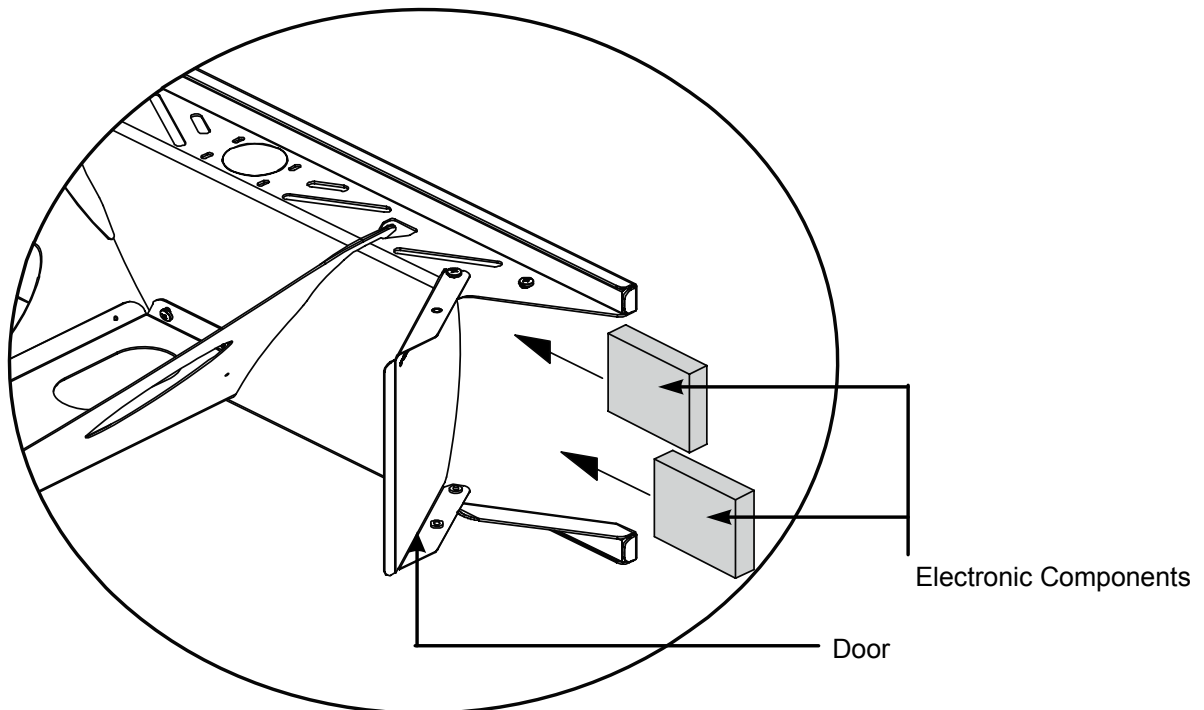


Appendix D: Utilizing Storage Feature

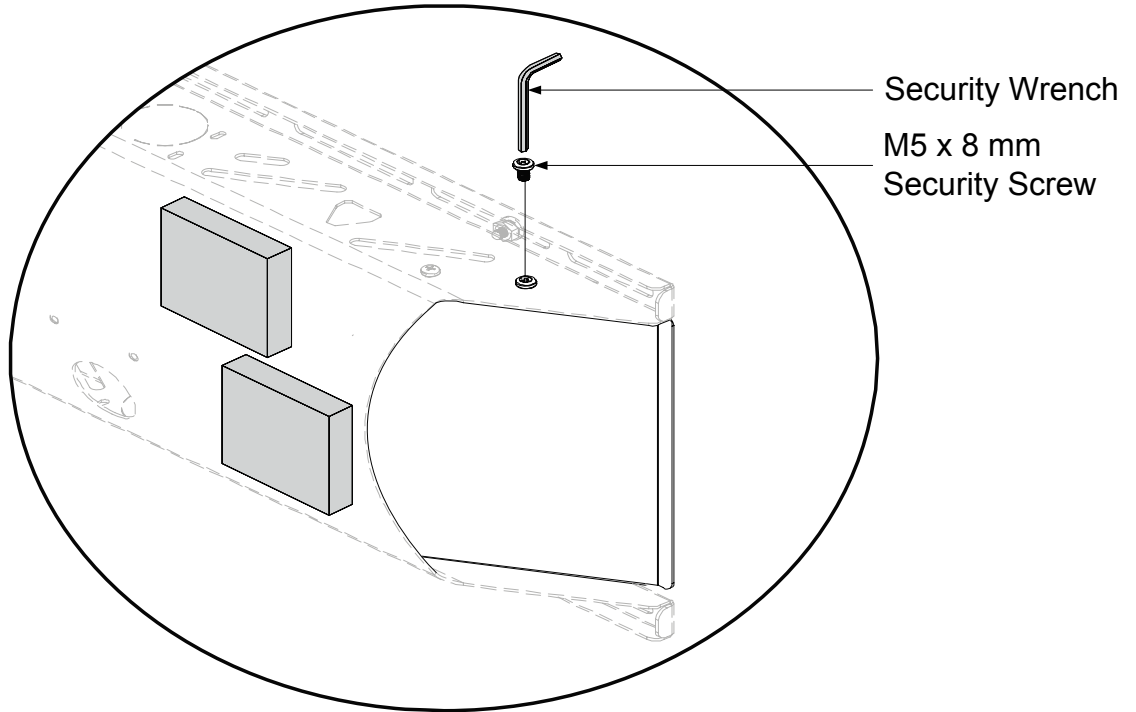
The storage feature may be used to store electronic components. There is an accessible door on each side of the storage enclosure. It may be held securely shut with the use of four M5 x 8 mm security head screws. It may be easiest to pre-wire all cables down the arm (or extension) at this time.

1. Open the storage door that is located on the side of the wall plate.
2. Place the electronic components inside the storage enclosure.
3. Make all electronic connections at this time
4. Close the storage door and secure using two M5 x 8 mm security head screws. Tighten using a security wrench.
5. Repeat this process for the other opening.

Place Electronic Components in Storage Door



Secure Storage Door with Security Wrench



Return and Warranty Policies

Merchandise Returns / Repair Service

1. No merchandise may be returned for credit, exchange or service without prior authorization from CRESTRON. To obtain warranty service for CRESTRON products, contact an authorized CRESTRON dealer. Only authorized CRESTRON dealers may contact the factory and request an RMA (Return Merchandise Authorization) number. Enclose a note specifying the nature of the problem, name and phone number of contact person, RMA number and return address.
2. Products may be returned for credit, exchange or service with a CRESTRON Return Merchandise Authorization (RMA) number. Authorized returns must be shipped freight prepaid to CRESTRON, 6 Volvo Drive, Rockleigh, N.J. or its authorized subsidiaries, with RMA number clearly marked on the outside of all cartons. Shipments arriving freight collect or without an RMA number shall be subject to refusal. CRESTRON reserves the right in its sole and absolute discretion to charge a 15% restocking fee plus shipping costs on any products returned with an RMA.
3. Return freight charges following repair of items under warranty shall be paid by CRESTRON, shipping by standard ground carrier. In the event repairs are found to be non-warranty, return freight costs shall be paid by the purchaser.

CRESTRON Limited Warranty

CRESTRON ELECTRONICS, Inc. warrants its products to be free from manufacturing defects in materials and workmanship under normal use for a period of three (3) years from the date of purchase from CRESTRON, with the following exceptions: disk drives and any other moving or rotating mechanical parts, pan/tilt heads and power supplies are covered for a period of one (1) year; touchscreen display and overlay components are covered for 90 days; batteries and incandescent lamps are not covered.

This warranty extends to products purchased directly from CRESTRON or an authorized CRESTRON dealer. Purchasers should inquire of the dealer regarding the nature and extent of the dealer's warranty, if any.

CRESTRON shall not be liable to honor the terms of this warranty if the product has been used in any application other than that for which it was intended or if it has been subjected to misuse, accidental damage, modification or improper installation procedures. Furthermore, this warranty does not cover any product that has had the serial number altered, defaced or removed.

This warranty shall be the sole and exclusive remedy to the original purchaser. In no event shall CRESTRON be liable for incidental or consequential damages of any kind (property or economic damages inclusive) arising from the sale or use of this equipment. CRESTRON is not liable for any claim made by a third party or made by the purchaser for a third party.

CRESTRON shall, at its option, repair or replace any product found defective, without charge for parts or labor. Repaired or replaced equipment and parts supplied under this warranty shall be covered only by the unexpired portion of the warranty.

Except as expressly set forth in this warranty, CRESTRON makes no other warranties, expressed or implied, nor authorizes any other party to offer any warranty, including any implied warranties of merchantability or fitness for a particular purpose. Any implied warranties that may be imposed by law are limited to the terms of this limited warranty. This warranty statement supersedes all previous warranties.

Trademark Information

All brand names, product names and trademarks are the sole property of their respective owners. Windows is a registered trademark of Microsoft Corporation. Windows 95/98/Me/XP/Vista/7 and Windows NT/2000 are trademarks of Microsoft Corporation.

This page is intentionally left blank.

This page is intentionally left blank.



Crestron Electronics, Inc.
15 Volvo Drive Rockleigh, NJ 07647
Tel: 888.CRESTRON
Fax: 201.767.7576
www.crestron.com

Installation Guide – DOC. 7037A
(2028576)
06.10
Specifications subject to
change without notice.