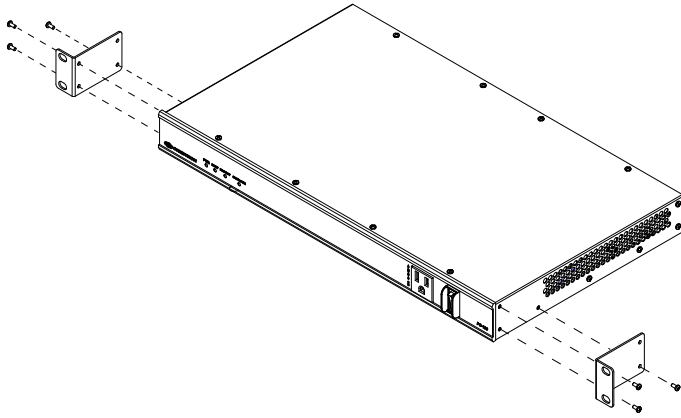


PC-100 8-Outlet Power Conditioner and Surge Protector

DO Install the Device

The Crestron® PC-100 is designed to be rack mounted. The device occupies 1U of rack space. Using a #1 or #2 Phillips screwdriver, attach the two included rack ears to the device, and then mount the device into the rack using four mounting screws (not included).



DO Perform an Outlet Test

Before making connections to the PC-100, perform an outlet test to ensure that the outlet the device is plugged into is properly wired:

1. Ensure that the front panel switch is turned off (moved to the down position) and that no connections have been made to the device.
2. Plug the PC-100 into the outlet and wait until the PROTECT LED lights. (This process may take several seconds.)
3. Verify that the FAULT LED is not lit. If the FAULT LED lights, then the connected outlet is miswired. Do not make any connections to the device until the outlet is repaired and the FAULT LED does not light when the device is plugged into the outlet.

DO Connect the Device

Make connections to the PC-100 using Crestron power supplies for Crestron equipment.

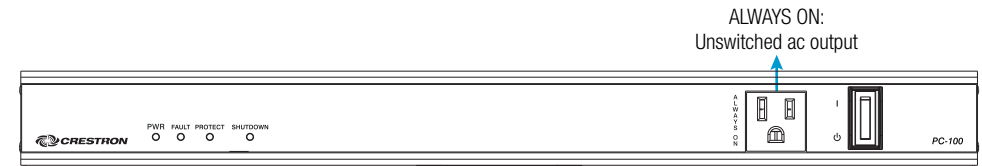
CAUTION: The front panel switch must be turned off (moved to the down position) before plugging in the PC-100.

CAUTION: The PC-100 must be plugged into a circuit that has a 20-amp or a 15-amp circuit breaker.

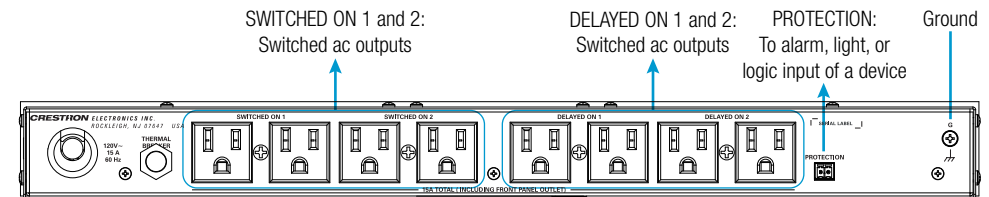
DO Check the Box

QTY	PRODUCT	COLOR	PART NUM.
2	Bracket, Rack Ear, 1U		2032122
1	Connector, 2-Pin		2003574

Front Panel Connections



Rear Panel Connections



NOTE: The front panel outlet is always on, independent of the front panel switch position. This outlet is protected from surges and has EMI filtering. Even if the unit is out of voltage range (93 to 135 volts), has incorrect wiring, or has failed surge protection, all eight rear panel outlets turn off but the front outlet remains on. If this situation occurs, the yellow SHUTDOWN LED lights and the PWR LED turns yellow.

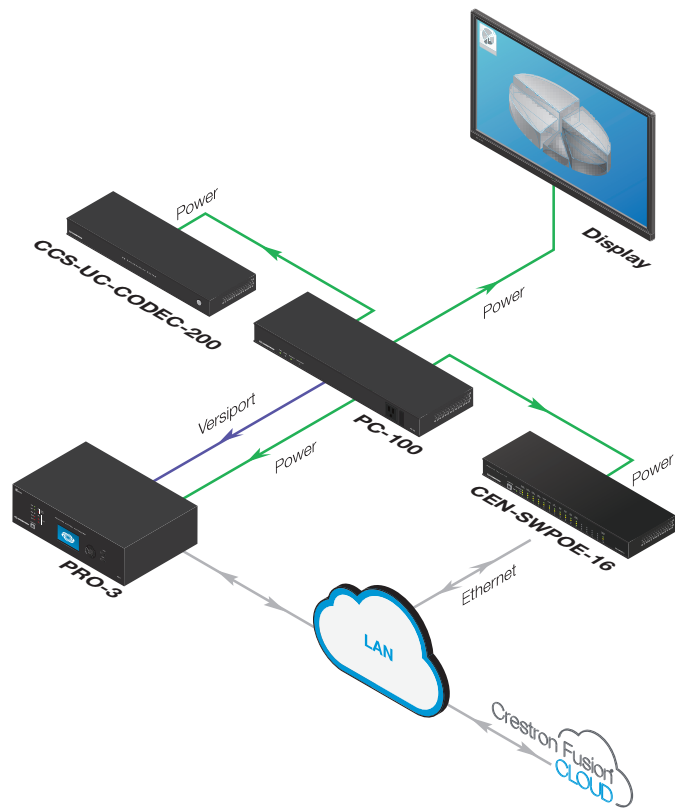
NOTE: The rear panel outlets marked “SWITCHED ON” turn on immediately when the front panel switch is turned on (moved to the up position). The outlets marked “DELAYED ON 1” turn on one second after the front panel switch is turned on. The outlets marked “DELAYED ON 2” turn on two seconds after the front panel switch is turned on.

NOTE: The 2-pin PROTECTION port on the rear panel is an isolated contact and has the pins internally opened while all surge protection is active. The connection is closed when any surge protection is compromised. This closure provides surge protection notification to a connected control system.

NOTE: The front panel LEDs behave as follows:

LED	COLOR	FUNCTIONALITY
PWR	Amber/Green	Amber: Power is present on ac cord. Green: Switch is in ON position, and power is present.
FAULT	Red	One of the following is true: - Surge protection is compromised. - No ground is detected. - Line and neutral are reversed.
PROTECT	Green	All surge protection is functional.
SHUTDOWN	Amber/Green	An over- or undervoltage condition is causing the outputs to turn off.





Color Key

- Versiport
- Power
- Ethernet

DO Learn More

Visit the website for additional information and the latest firmware updates. To learn more about this product, use a QR reader application on your mobile device to scan the QR image.

Crestron Electronics
 15 Volvo Drive, Rockleigh, NJ 07647
 888.CRESTRON | www.crestron.com



This product is Listed to applicable UL® Standards and requirements tested by Underwriters Laboratories Inc. Ce produit est homologué selon les normes et les exigences UL applicables par Underwriters Laboratories Inc.



Federal Communications Commission (FCC) Compliance Statement

This device complies with part 15 of the FCC Rules. Operation is subject to the following conditions: (1) This device may not cause harmful interference and (2) this device must accept any interference received, including interference that may cause undesired operation.

CAUTION: Changes or modifications not expressly approved by the manufacturer responsible for compliance could void the user's authority to operate the equipment.

NOTE: This equipment has been tested and found to comply with the limits for a Class B digital device, pursuant to part 15 of the FCC Rules. These limits are designed to provide reasonable protection against harmful interference in a residential installation. This equipment generates, uses and can radiate radio frequency energy and, if not installed and used in accordance with the instructions, may cause harmful interference to radio communications. However, there is no guarantee that interference will not occur in a particular installation. If this equipment does cause harmful interference to radio or television reception, which can be determined by turning the equipment off and on, the user is encouraged to try to correct the interference by one or more of the following measures:

- Reorient or relocate the receiving antenna.
- Increase the separation between the equipment and receiver.
- Connect the equipment into an outlet on a circuit different from that to which the receiver is connected.
- Consult the dealer or an experienced radio/TV technician for help.

Industry Canada (IC) Compliance Statement

CAN ICES-3(B)/NMB-3(B)

Rack Mounting Safety Precautions

- **Elevated Operating Ambient Temperature:** If installed in a closed or multi-unit rack assembly, the operating ambient temperature of the rack environment may be greater than room ambient temperature. Therefore, consideration should be given to installing the equipment in an environment compatible with the maximum ambient temperature (T_{ma}) specified by the manufacturer.
- **Reduced Airflow:** Installation of the equipment in a rack should be such that the amount of airflow required for safe operation of the equipment is not compromised.
- **Mechanical Loading:** Mounting of the equipment in the rack should be such that a hazardous condition is not achieved due to uneven mechanical loading.
- **Circuit Overloading:** Consideration should be given to the connection of the equipment to the supply circuit and the effect that overloading of the circuits might have on overcurrent protection and supply wiring. Appropriate consideration of equipment nameplate ratings should be used when addressing this concern.
- **Reliable Earthing:** Reliable earthing of rack-mounted equipment should be maintained. Particular attention should be given to supply connections other than direct connections to the branch circuit (e.g., use of power strips).

The specific patents that cover Crestron products are listed at <http://www.crestron.com/legal/patents>.

The product warranty can be found at www.crestron.com/warranty.

Certain Crestron products contain open source software. For specific information, please visit www.crestron.com/opensource.

Crestron, the Crestron logo, and Crestron Fusion are either trademarks or registered trademarks of Crestron Electronics, Inc. in the United States and/or other countries. UL and the UL logo are either trademarks or registered trademarks of Underwriters Laboratories, Inc. in the United States and/or other countries. Other trademarks, registered trademarks, and trade names may be used in this document to refer to either the entities claiming the marks and names or their products. Crestron disclaims any proprietary interest in the marks and names of others. Crestron is not responsible for errors in typography or photography.

This document was written by the Technical Publications department at Crestron.

©2017 Crestron Electronics, Inc.