

## HD-SCALER-HD-E/HD-SCALER-VGA-E High-Definition Video Scalers

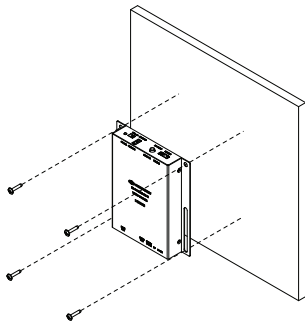
### DO Install the Device

The Crestron® HD-SCALER-HD-E and HD-SCALER-VGA-E can be mounted onto a flat surface or onto a rack rail.

#### Mounting onto a Flat Surface

Using four mounting screws (not included), mount the device onto a flat surface. Mounting of the HD-SCALER-HD-E onto a wall is shown in illustration ❶.

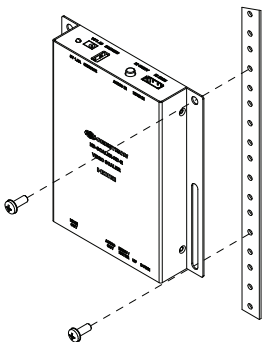
##### ❶ Mounting onto a Flat Surface



#### Mounting onto a Rack Rail

The HD-SCALER-HD-E and HD-SCALER-VGA-E mount onto the front or rear rail of a rack. Position either the left or right mounting flange of the device so that the holes align with the holes in the rack. Then, secure the device to the rack using two rack mounting screws (not included). Mounting of the HD-SCALER-HD-E onto a rack rail is shown in illustration ❷.

##### ❷ Mounting onto a Rack Rail



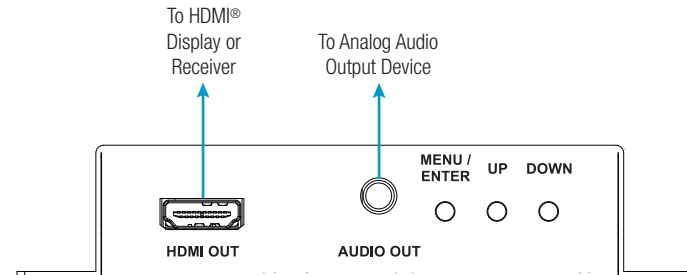
### DO Check the Box

QTY	PRODUCT	PART NUM.
1	Power Pack, 5 Vdc 1.2 A, 100-240 Vac	2028121
Not Included: Cables, Mounting Screws		

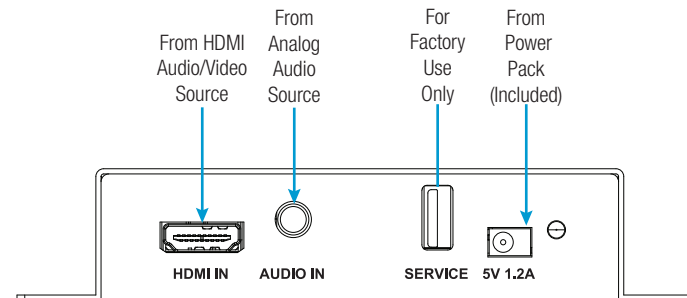
### DO Make Connections to the Rear Panel

Make connections to the front and rear panels of the device as appropriate for the installation. Refer to illustrations ❸ through ❺.

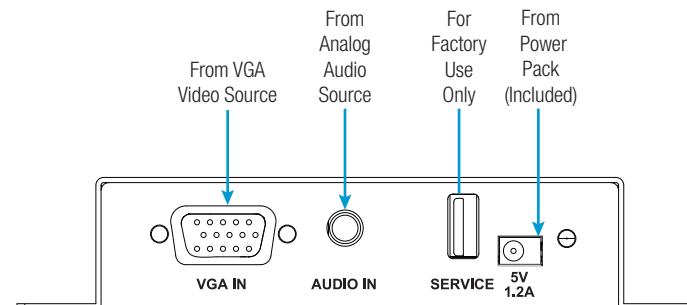
#### ❸ Connections to the Front Panel (HD-SCALER-HD-E and HD-SCALER-VGA-E)



#### ❹ Connections to the Rear Panel (HD-SCALER-HD-E Only)



#### ❺ Connections to the Rear Panel (HD-SCALER-VGA-E Only)



## DO Use the On-Screen Display

By default, the HD-SCALER-HD-E and HD-SCALER-VGA-E automatically detect the display settings of the connected display and output the preferred resolution of the display. If desired, use the on-screen display (OSD) to change the output resolution or to adjust image quality.

To access the OSD and to select a menu item, press the **MENU/ENTER** button as required. To navigate up or down in a menu or to adjust the value of a menu selection, press the **UP** or **DOWN** button as required.

## DO Learn More

Visit the website for additional information and the latest firmware updates.

**Crestron Electronics**  
15 Volvo Drive, Rockleigh, NJ 07647  
888.CRESTRON | [www.crestron.com](http://www.crestron.com)

HD-SCALER-HD-E



HD-SCALER-VGA-E



**CE** As of the date of manufacture, the product has been tested and found to comply with specifications for CE marking.

### Federal Communications Commission (FCC) Compliance Statement

This device complies with part 15 of the FCC Rules. Operation is subject to the following two conditions:  
(1) This device may not cause harmful interference, and (2) this device must accept any interference received, including interference that may cause undesired operation.

**Caution:** Changes or modifications not expressly approved by the manufacturer responsible for compliance could void the user's authority to operate the equipment.

**Note:** This equipment has been tested and found to comply with the limits for a Class B digital device, pursuant to part 15 of the FCC Rules. These limits are designed to provide reasonable protection against harmful interference in a residential installation. This equipment generates, uses and can radiate radio frequency energy and, if not installed and used in accordance with the instructions, may cause harmful interference to radio communications. However, there is no guarantee that interference will not occur in a particular installation.

If this equipment does cause harmful interference to radio or television reception, which can be determined by turning the equipment off and on, the user is encouraged to try to correct the interference by one or more of the following measures:

- Reorient or relocate the receiving antenna
- Increase the separation between the equipment and receiver
- Connect the equipment into an outlet on a circuit different from that to which the receiver is connected
- Consult the dealer or an experienced radio/TV technician for help

### Industry Canada (IC) Compliance Statement

CAN ICES-3(B)/NMB-3(B)

The specific patents that cover Crestron products are listed at [patents.crestron.com](http://patents.crestron.com).

The product warranty can be found at [www.crestron.com/warranty](http://www.crestron.com/warranty).

Crestron and the Crestron logo are either trademarks or registered trademarks of Crestron Electronics, Inc. in the United States and/or other countries. HDMI and the HDMI logo are either trademarks or registered trademarks of HDMI Licensing LLC in the United States and/or other countries. Other trademarks, registered trademarks, and trade names may be used in this document to refer to either the entities claiming the marks and names or their products. Crestron disclaims any proprietary interest in the marks and names of others. Crestron is not responsible for errors in typography or photography.

This document was written by the Technical Publications department at Crestron.

©2015 Crestron Electronics, Inc.