

TSW-550/750/1050-TTK and TSW-550/750/1050-SMK TableTop Kits and Swivel Mount Kit for TSW-550, TSW-750, and TSW-1050

The Crestron® TSW-550-TTK, TSW-750-TTK, and TSW-1050-TTK are functionally identical. For simplicity within this guide, the term “TSW-550/750/1050-TTK” is used except where noted.

DO Prepare the TSW-550/750/1050-TTK

The TSW-550/750/1050-TTK comes with parts for routing device cabling through either the rear of the unit or through the bottom for a neat appearance.

Route Cable through the Bottom of the TSW-550/750/1050-TTK

Out of the box, the TSW-550/750/1050-TTK comes with a plastic cover on the rear of the unit, allowing the LAN cable to pass out through the bottom, such as when the TSW-550/750/1050-TTK is attached to the TSW-550/750/1050-SMK Swivel Mount Kit (sold separately).

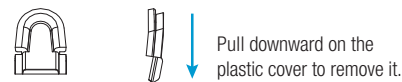
Route Cable through the Rear of the TSW-550/750/1050-TTK

For routing a single CAT5 cable through the rear of the TSW-550/750/1050-TTK, the plastic cover on the rear must be replaced with the included strain relief. To replace the plastic cover with the strain relief, perform the following procedure:

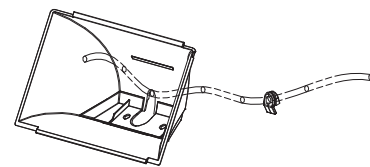
1. Remove the two screws on the bottom of the unit that hold the metal bracket inside the TSW-550/750/1050-TTK. Then, remove the metal bracket.



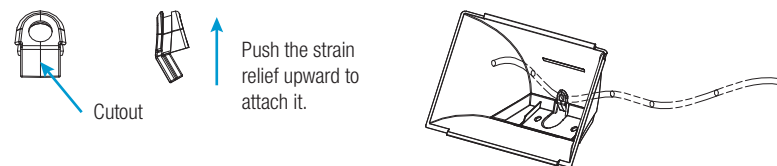
2. With the metal bracket removed, pull downward on the plastic cover to remove it from the TSW-550/750/1050-TTK.



3. Insert the LAN cable through the opening on the rear of the TSW-550/750/1050-TTK and attach the strain relief to the cable.



4. Attach the strain relief by pushing it upward into the slot on the rear of the TSW-550/750/1050-TTK.



NOTE: For added security in mounting the touch screen, refer to “DO Use the Security Option” and follow that procedure from this point. For standard mounting, continue with the following step.

5. Reinstall the metal bracket using the screws removed in step 1.

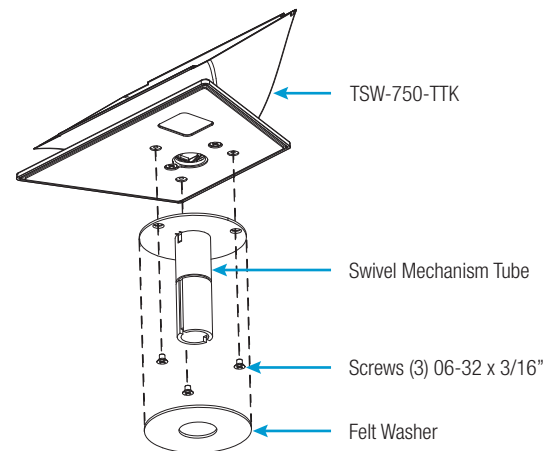
DO Mount the Touch Screen in the TSW-550/750/1050-TTK

Connect the LAN cable to the touch screen and gently pull excess cable out through the rear of the TSW-550/750/1050-TTK to ensure the touch screen is seated completely into the TSW-550/750/1050-TTK and that the touch screen’s magnets engage the metal bracket.

DO Assemble the TSW-550/750/1050-SMK Assemble the Swivel Mount

To assemble the swivel mount, perform the following procedure:

1. Attach and secure the swivel mechanism tube to the bottom of the TSW-550/750/1050-TTK using the three 06-32 x 3/16” screws included with the TSW-550/750/1050-TTK.



2. Remove the paper liner from the felt washer and attach the washer to the bottom of the swivel mechanism tube.
3. If the cable is routed to exit through the bottom of the TSW-550/750/1050-TTK, feed the full length of the cable through the swivel mechanism tube.
4. Use the included template to prepare the mounting surface. The center hole diameter for the swivel mechanism tube should be 7/8” (22 mm) minimum, 15/16” (24 mm) maximum. Position the template so the edge indicated as the front edge of the table or surface aligns with the desired front position of the TSW-550/750/1050-TTK. Observe the dashed line indicating the front edge of the TSW-550/750/1050-TTK to ensure the device does not overhang the mounting surface.
5. Using the six mounting holes on the swivel stop plate as a template, drill pilot holes in the mounting surface. The holes should be 0.093” (2 mm) minimum diameter, 0.115” (3 mm) maximum diameter, and no deeper than 0.35” (9 mm).
6. Attach the swivel stop plate to the bottom of the mounting surface using the six included 08-8B x 1/2” screws.
7. Pass the swivel mechanism tube down through the mounting hole and swivel stop plate.

NOTE: The swivel stop plate has a permanently installed limiting screw to prevent the swivel mechanism from spinning continuously in one direction and tangling the cable attached to the touch screen.

DO Check the Box

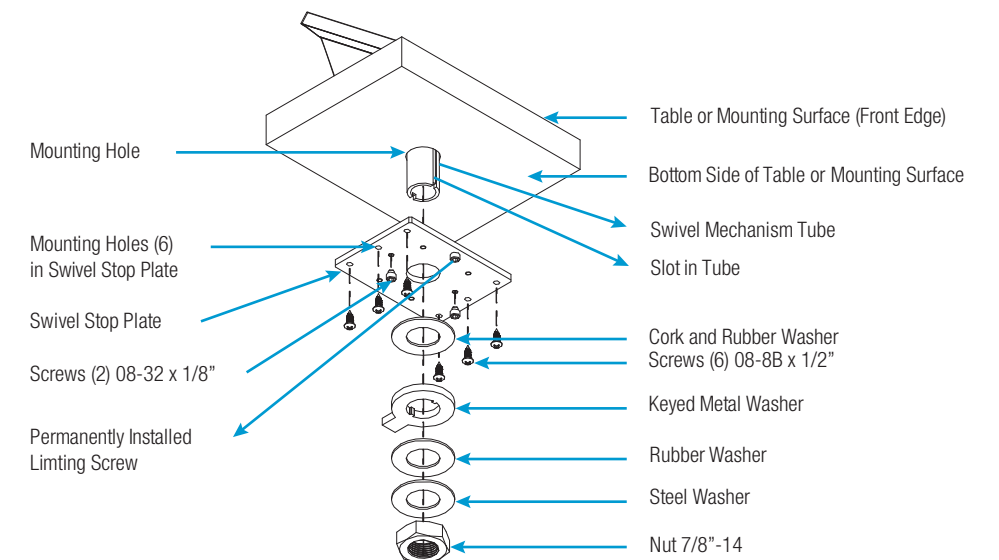
QUANTITY	PRODUCT	COLOR	PART NUMBER
Items for TSW-550/750/1050-TTK Only			
1	Plastic Strain Relief ¹	Black	2033955
1	Plastic Strain Relief ²	Gray	2033954
1	Overlay Cutout Template		4517324
2	Screws, 04-20 x 5/8”		2007139
Items for TSW-550/750/1050-SMK Only			
1	Swivel Stop Plate		4504353
1	Keyed Metal Washer		4506321
1	Cork and Rubber Washer		2017614
1	Rubber Washer		2017615
1	Overlay Cutout Template		4517324
1	Felt Washer		2024711
2	Screws, 08-32 x 1/8”		2017634
1	Steel Washer		2017633
1	Nut, 7/8”-14		2017632
6	Screws, 08-8B x 1/2”		2017784
3	Screws, 06-32 x 3/16”		2007202

1. This part ships with the TSW-550-TTK-B-S, TSW-750-TTK-B-S, and TSW-1050-TTK-B-S.
2. This part ships with the TSW-550-TTK-W-S, TSW-750-TTK-W-S, and TSW-1050-TTK-W-S

8. Slide the included hardware up onto the swivel mechanism tube in the order indicated in the illustration that follows.

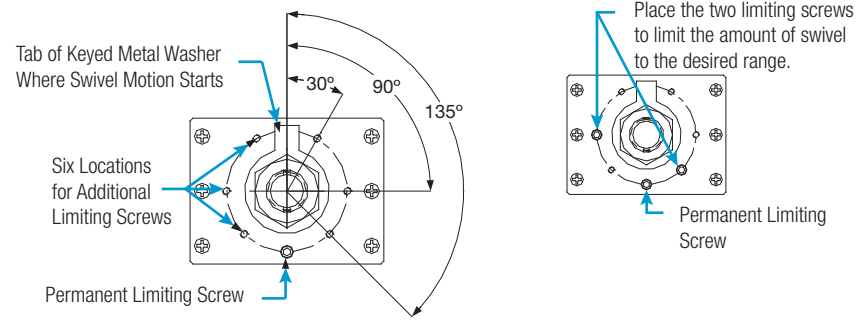
NOTE: The keyed metal washer fits onto the swivel mechanism tube in one of two orientations: facing toward or facing away from the permanently installed limiting screw in the swivel stop plate. Orient the tab on the washer to face away from the permanently installed limiting screw.

9. Adjust the tightness of the 7/8”-14 nut to achieve the desired resistance in swivel assembly motion. A flat tool, such as a large flat head screwdriver, may be used in the slot on the bottom of the swivel mechanism tube to hold the tube still while tightening the nut.



Customize the Swivel Range

Aside from the permanently installed limiting screw attached to the swivel stop plate, two additional 08-32 x 1/8" limiting screws are included with the TSW-550/750/1050-SMK. These screws can be used to set a custom range for swivel movement. Refer to the following illustrations for details.



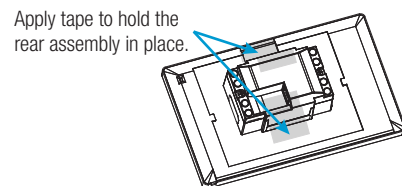
DO Use the Security Option

The touch screen can be locked to the TSW-550/750/1050-TTK using the two included 04-20 x 5/8" screws. To use the security option, perform the following procedure:

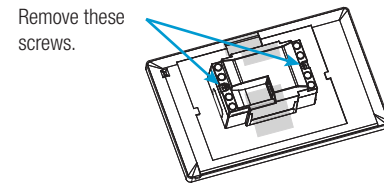
1. Remove the two screws on the bottom of the unit that hold the metal bracket inside the TSW-550/750/1050-TTK. Then, remove the metal bracket.



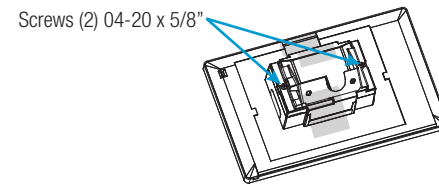
2. Place the touch screen face down on a clean, soft surface. Then, place tape on the back of the touch screen as shown in the following illustration. The rear assembly must be held in place during the rest of this procedure.



3. Remove the two 1/2" long screws from the rear assembly. Save these screws in case you decide not to use the security option in the future.



4. Place the metal bracket from step 1 in position on the rear assembly of the touch screen, ensure it is correctly oriented (right side up), and attach it using the two included 04-20 x 5/8" screws. To prevent damage to threads, turn each screw counterclockwise until it engages the thread. Then, tighten the screw to 3 in/lb.



5. Remove the tape attached in step 2.
6. With the touch screen still face down on the clean, soft surface, connect the LAN cable that was routed through the TSW-550/750/1050-TTK to the touch screen and gently pull any excess cable out through the rear of the TSW-550/750/1050-TTK to ensure the touch screen is seated completely into the TSW-550/750/1050-TTK.
7. Place the TSW-550/750/1050-TTK in position over the rear of the touch screen. Then, reattach the bottom of the TSW-550/750/1050-TTK using the two screws removed in step 1.

TSW-550-TTK TSW-750-TTK



TSW-1050-TTK



TSW-550/750/1050-SMK



DO Learn More

Visit the website for additional information and the latest firmware updates.

Crestron Electronics
15 Volvo Drive, Rockleigh, NJ 07647
888.CRESTRON | www.crestron.com

The specific patents that cover Crestron products are listed at patents.crestron.com.

The product warranty can be found at www.crestron.com/warranty.

Crestron and the Crestron logo are either trademarks or registered trademarks of Crestron Electronics, Inc. in the United States and/or other countries. Other trademarks, registered trademarks, and trade names may be used in this document to refer to either the entities claiming the marks and names or their products. Crestron disclaims any proprietary interest in the marks and names of others. Crestron is not responsible for errors in typography or photography.

This document was written by the Technical Publications department at Crestron.

©2015 Crestron Electronics, Inc.