



**Further Inquiries**  
To locate specific information or resolve questions after reviewing this guide, contact Crestron's True Blue Support at 1-888-CRESTRON [1-888-273-7876] or refer to the listing of Crestron worldwide offices on the Crestron Web site (www.crestron.com/offices) for assistance within a particular geographic region.

To post a question about Crestron products, log onto the online help section of the Crestron Web site (www.crestron.com/onlinehelp). First-time users must establish a user account to fully benefit from all available features.

**Future Updates**  
As Crestron improves functions, adds new features and extends the capabilities of the CLW-SLVU-230-P, additional information may be made available as manual updates. These updates are solely electronic and serve as intermediary supplements prior to the release of a complete technical documentation revision.

Check the Crestron Web site periodically for manual update availability and its relevance. Updates are identified as an "Addendum" in the Download column.

**WARNING:** To avoid fire, shock, or death; turn off power at circuit breaker or fuse and test that power is off before wiring!

- NOTES:** Observe the following points.
- To be installed and/or used in accordance with appropriate electrical codes and regulations.
  - This product should be installed by a qualified electrician.

**PREPARING AND CONNECTING WIRES**  
Strip the ends of the wires approximately 6 mm (1/4 in). Use care to avoid nicking the conductors.

**Crestron Electronics, Inc.**  
15 Volvo Drive Rockleigh, NJ 07647  
Tel: 888.CRESTRON  
Fax: 201.767.7576  
www.crestron.com



**Installation Guide - DOC. 7341A**  
**(2033008)**  
**02.13**  
Specifications subject to change without notice.

**Regulatory Compliance**  
As of the date of manufacture, the CLW-SLVU-230-P have been tested and found to comply with specifications for CE marking and standards per EMC and Radiocommunications Compliance Labelling.



**DESCRIPTION**

The CLW-SLVU-230-P is a Crestron® wall mount slave dimmer designed for use with CLW dimmers. Multipoint dimming is enabled using CLW dimmers and up to nine slave dimmers each. Multipoint dimming is similar to conventional 3-way or 4-way switching, allowing dimming control of a single load from multiple locations in the room.

**NOTE:** The CLW-SLVU-230-P cannot be used to control a load directly, but must be used in conjunction with a CLW-DIMEX-230-P or CLW-DELVEX-230-P.

**Specifications**  
Specifications for the CLW-SLVU-230-P are listed in the following table.  
**CLW-SLVU-230-P Specifications**

| SPECIFICATION   | DETAILS                                      |
|---|--|
| Power Requirements  | 230 Vac                                      |
| Max Wire Length Between CLW-DIMEX-230-P or CLW-DELVEX-230-P and Furthest CLW-SLVU-230-P | 77 m (250 ft)                                |
| Environmental   |  |
| Temperature   | 0° C to 40° C (32° F to 104°F)               |
| Humidity  | 10 to 90% Relative Humidity (Non-Condensing) |
| Dimensions  |  |
| Height  | 105 mm (4 1/8 in)                            |
| Width   | 45 mm (1 3/4 in)                             |
| Depth   | 47 mm (1 13/16 in)                           |
| Weight  | 128 g (5 oz)                                 |

**Important Notes**  
**Read before installation.**

- Codes: Install in accordance with all local and national electrical codes.

**CAUTION:** TO REDUCE THE RISK OF OVERHEATING AND POSSIBLE DAMAGE TO OTHER EQUIPMENT, DO NOT INSTALL TO CONTROL A RECEPTACLE, A MOTOR-OPERATED APPLIANCE OR TRANSFORMER-SUPPLIED APPLIANCE.

**ATTENTION:** GRADATEURS COMMANDANT UN BALLAST-AFIN DE RÉDUIRE LE RISQUE DE SURCHAUFFE ET LA POSSIBILITÉ D'ENDOMMAGEMENT À D'AUTRES MATÉRIELS, NE PAS INSTALLER POUR COMMANDER UNE PRISE, UN APPAREIL OPÉRÉ DE MOTEUR OU UN APPAREIL ALIMENTÉ PAR UN TRANSFORMATEUR.

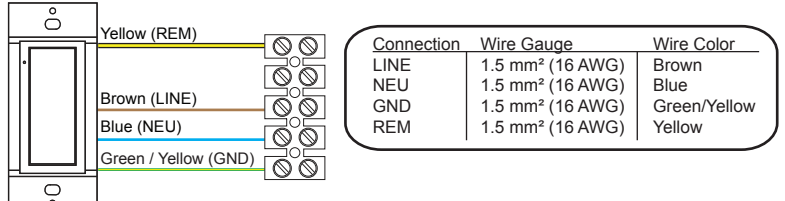
**NOTE:** All 3- or 4-way dimmers in a multi-way circuit must be replaced by CLW-SLVU-230-P units with a single CLW-DIMEX-230-P or CLW-DELVEX-230-P unit installed at the load side of the multi-way chain.

- Wiring: Use copper wire only. For supply connections, use wire rated for at least 75° C.
- Electrical Boxes: Devices mount in standard electrical boxes. For easy installation, Crestron recommends using 89 mm (3 1/2 in) deep electrical boxes. Several devices can be installed in one electrical box (multigang). This requires derating of the dimming device. For a smooth appearance, one-piece multigang faceplates (not supplied) can be installed.
- Spacing: If mounting one device above another, leave at least 115 mm (4 1/2 in) vertical space between them.
- Neutral connection required for CLW-SLVU-230-P LED to function.

**INSTALLATION**

**WARNING:** Turn off power at the circuit breaker. Installing with power on can result in serious personal injury and damage to the device.

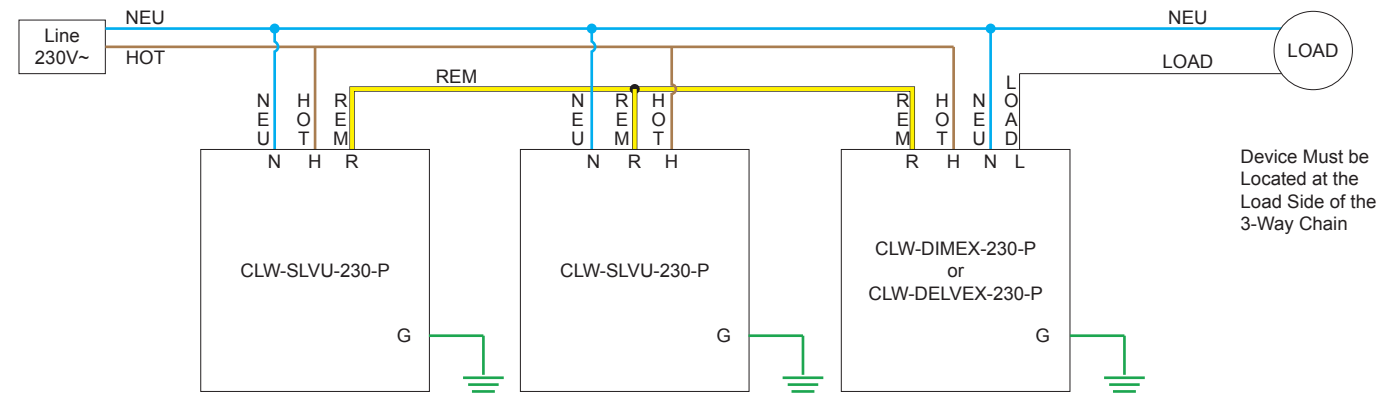
- The following describes the installation of a CLW-SLVU-230-P dimmer.
- Turn power off at the circuit breaker.
  - The diagrams to the right illustrate typical wiring configurations for the CLW-SLVU-230-P. Select the appropriate configuration and connect the necessary wires.



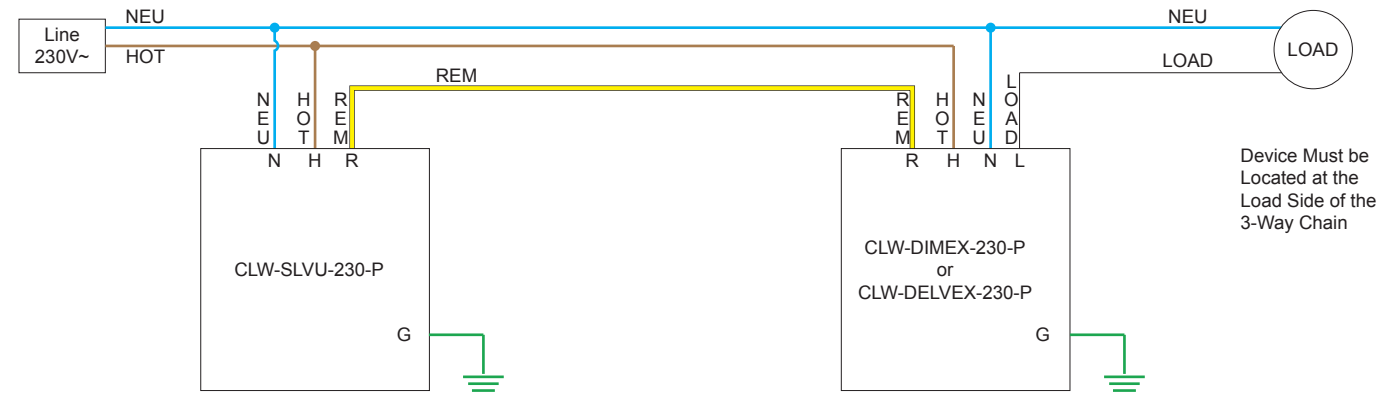
- Push all power wires back into the electrical box and fasten the device to the electrical box with the provided screws.
- Attach decorative faceplate.
- Ensure all buttons actuate without sticking.
- Restore power at the circuit breaker.

**WIRING DIAGRAMS**

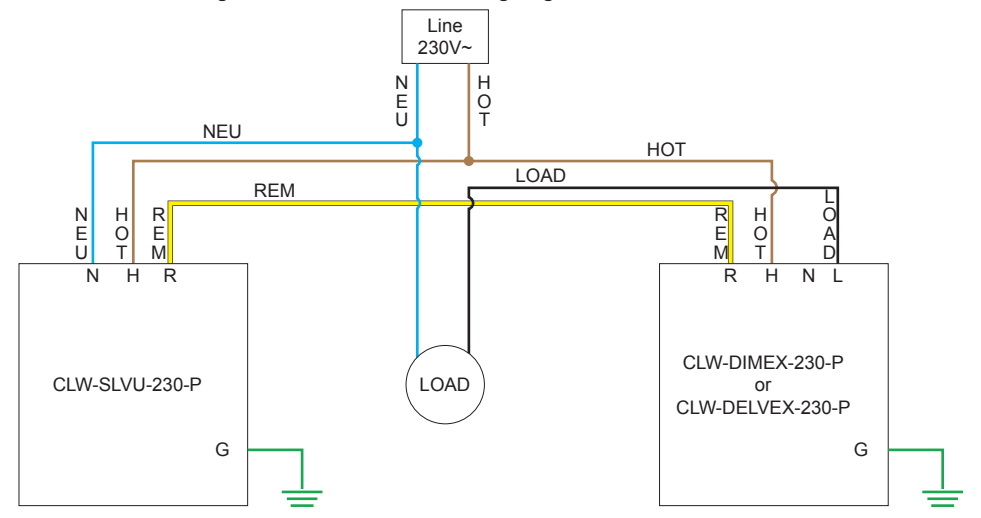
**Three Or More Points Of Dimming Control (4-way)**



**Two Points Of Dimming Control (3-way)**



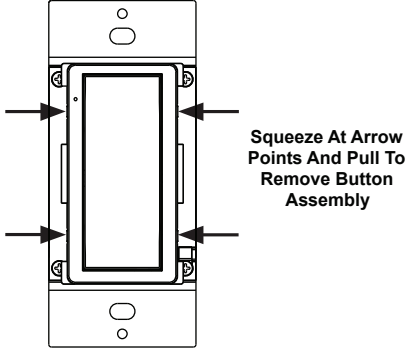
**Two Points Of Dimming Control And Power Fed Through Light Fixture**



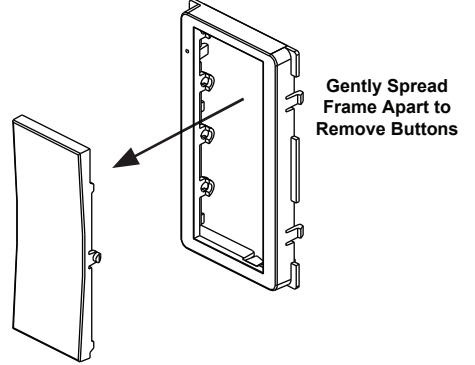
**Changing Button Assemblies**

The button assembly can be removed and replaced with other button assemblies. To change the button assembly:

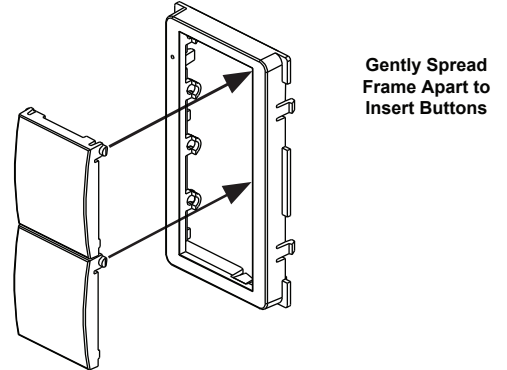
1. As shown in the following diagram, remove the button assembly by squeezing the sides of the bezel near the bezel snaps.



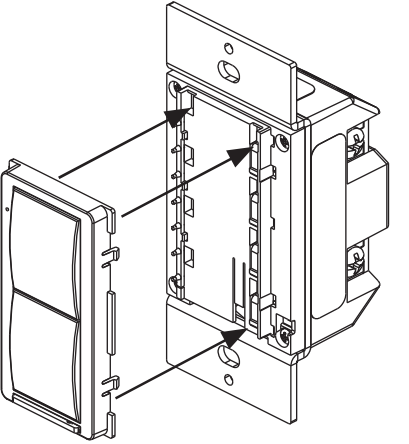
2. Remove button(s) from the front of the button assembly as shown in the following diagram.



3. Insert new buttons through the front of the bezel and snap into place as shown in the following diagram. Ensure that the LED strip is on the left side.



4. Attach button assembly to the device as shown in the following diagram. Ensure that LED strip is on the left side.



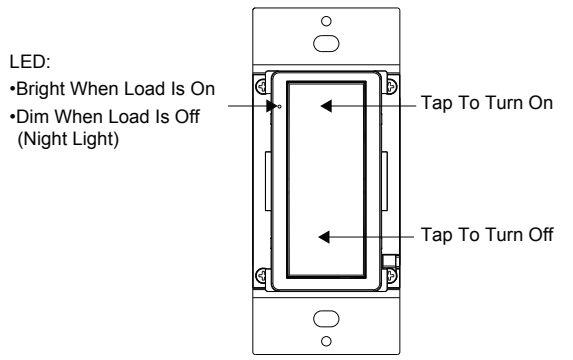
**OPERATION**

**Basic Operation**

**NOTE:** The device may be warm to the touch during operation. This is normal.

The CLW-SLVU-230-P is shipped with a rocker switch already installed. In this configuration, the unit functions as shown below.

The specific functions of the slave device depend on the master device at the other end. If the master is a CLW-DIMEX-230-P, then the button function is the same as a CLW-DIMEX-230-P with a rocker.

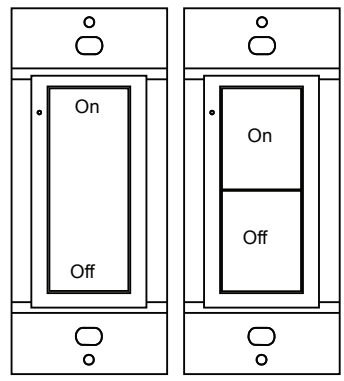


**Default Button Functions**

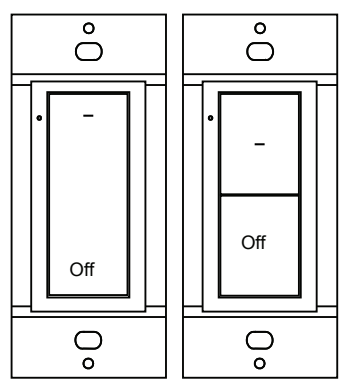
The figures below illustrate the default functions available for each physical button configuration and tap/hold actuation sequence.

**NOTE:** Delayed off can be added via control system programming.

**Button TAP**



**Button DOUBLE TAP**



**TROUBLESHOOTING**

The table after this paragraph provides corrective action for possible trouble situations. This troubleshooting applies to multi-way installations where one or more slave device (CLW-SLVU-230-P) is connected to a master (CLW-DIMEX-230-P or CLW-DELVEX-230-P). If further assistance is required, please contact a Crestron customer service representative.

| TROUBLE  | POSSIBLE CAUSE(S)   | CORRECTIVE ACTION  |
|--|---|--|
| Master dimmer does not function when buttons pressed on master or slave. | Problem with dimmer installation.   | Refer to "Troubleshooting" section in dimmer installation guide.   |
|  | Existing 3- or 4-way switch still connected.                                      | Replace 3- or 4-way switches with CLW-SLVU-230-P. Replace 3-way switch connected to load with CLW-DIM.               |
| Master dimmer works but neither button on slave works.                   | Wiring issue.   | Check connections on all slave units and on master dimmer.   |
|  | Wiring issue at master dimmer, <b>LOAD</b> and <b>HOT</b> reversed.               | Check connections at master dimmer.  |
|  | Existing 3- or 4-way switch still connected.                                      | Replace 3- or 4-way switches with CLW-SLVU-230-P. Replace 3-way switch connected to load with CLW-DIM.               |
| Master dimmer works but only the bottom button on slave works.           | Master dimmer / slave is not connected at the load side of the multi-way circuit. | Ensure master dimmer is connected at the load side of the multi-way chain connects directly to the lighting fixture. |
| Pressing buttons on slave makes master dimmer perform the wrong action.  | Wiring at slave is incorrect, <b>HOT</b> and <b>REM</b> swapped.                  | Ensure that <b>HOT</b> , <b>NEU</b> and <b>REM</b> on slave are connected correctly.                                 |
| Slave LED does not function (i.e., stays off).                           | No neutral connection at slave.   | Connect neutral to slave.  |

**NOTE:** Model number for master dimmer: CLW-DIMEX-230-P infiNET EX® Dimmer  
CLW-DELVEX-230-P infiNET EX Dimmer

**Return and Warranty Policies**

**Merchandise Returns / Repair Service**

1. No merchandise may be returned for credit, exchange or service without prior authorization from Crestron. To obtain warranty service for Crestron products, contact an authorized Crestron dealer. Only authorized Crestron dealers may contact the factory and request an RMA (Return Merchandise Authorization) number. Enclose a note specifying the nature of the problem, name and phone number of contact person, RMA number and return address.
2. Products may be returned for credit, exchange or service with a Crestron Return Merchandise Authorization (RMA) number. Authorized returns must be shipped freight prepaid to Crestron, 6 Volvo Drive, Rockleigh, N.J. or its authorized subsidiaries, with RMA number clearly marked on the outside of all cartons. Shipments arriving freight collect or without an RMA number shall be subject to refusal. Crestron reserves the right in its sole and absolute discretion to charge a 15% restocking fee plus shipping costs on any products returned with an RMA.
3. Return freight charges following repair of items under warranty shall be paid by Crestron, shipping by standard ground carrier. In the event repairs are found to be non-warranty, return freight costs shall be paid by the purchaser.

**Crestron Limited Warranty**

Crestron Electronics, Inc. warrants its products to be free from manufacturing defects in materials and workmanship under normal use for a period of three (3) years from the date of purchase from Crestron, with the following exceptions: disk drives and any other moving or rotating mechanical parts, pan/tilt heads and power supplies are covered for a period of one (1) year; touch screen display and overlay components are covered for 90 days; batteries and incandescent lamps are not covered.

This warranty extends to products purchased directly from Crestron or an authorized Crestron dealer. Purchasers should inquire of the dealer regarding the nature and extent of the dealer's warranty, if any.

Crestron shall not be liable to honor the terms of this warranty if the product has been used in any application other than that for which it was intended or if it has been subjected to misuse, accidental damage, modification or improper installation procedures. Furthermore, this warranty does not cover any product that has had the serial number altered, defaced or removed.

This warranty shall be the sole and exclusive remedy to the original purchaser. In no event shall Crestron be liable for incidental or consequential damages of any kind (property or economic damages inclusive) arising from the sale or use of this equipment. Crestron is not liable for any claim made by a third party or made by the purchaser for a third party.

Crestron shall, at its option, repair or replace any product found defective, without charge for parts or labor. Repaired or replaced equipment and parts supplied under this warranty shall be covered only by the unexpired portion of the warranty.

Except as expressly set forth in this warranty, Crestron makes no other warranties, expressed or implied, nor authorizes any other party to offer any warranty, including any implied warranties of merchantability or fitness for a particular purpose. Any implied warranties that may be imposed by law are limited to the terms of this limited warranty. This warranty statement supersedes all previous warranties.

The specific patents that cover Crestron products are listed at [patents.crestron.com](http://patents.crestron.com).

Crestron, the Crestron logo and infiNET EX are either trademarks or registered trademarks of Crestron Electronics, Inc. in the United States and/or other countries. Other trademarks, registered trademarks and trade names may be used in this document to refer to either the entities claiming the marks and names or their products. Crestron disclaims any proprietary interest in the marks and names of others. *Crestron is not responsible for errors in typography or photography.*

This document was written by the Technical Publications department at Crestron.  
©2013 Crestron Electronics, Inc.