

Crestron **TPS-6X-DS-LP**  
Low-Profile Desktop Docking Station  
for TPS-6X

---

Installation Guide



This document was prepared and written by the Technical Documentation department at:



Crestron Electronics, Inc.  
15 Volvo Drive  
Rockleigh, NJ 07647  
1-888-CRESTRON

### **Regulatory Compliance**

As of the date of manufacture, the TPS-6X-DS-LP has been tested and found to comply with specifications for CE marking and standards per EMC and Radiocommunications Compliance Labelling.



# Contents

<b>Low-Profile Desktop Docking Station for TPS-6X: TPS-6X-DS-LP</b>	<b>1</b>
Description.....	1
Features and Functions.....	1
Specifications .....	2
Physical Description.....	2
Setup.....	5
Hardware Hookup .....	5
Recommended Cleaning.....	5
Resources.....	6
Further Inquiries .....	6
Future Updates .....	6
Return and Warranty Policies.....	7
Merchandise Returns / Repair Service .....	7
CRESTRON Limited Warranty.....	7



# Low-Profile Desktop Docking Station for TPS-6X: TPS-6X-DS-LP

---

## Description

The TPS-6X-DS-LP is an optional desktop docking station for the Isys™ TPS-6X Wireless Touchpanel featuring a low-profile design. Its angled cradle enables full touchpanel operation while docked. Placing the touchpanel onto the docking station provides wired communications and video capability while charging the touchpanel's internal battery.

The TPS-6X-DS-LP provides both wired Ethernet and Cresnet® connectivity to the touchpanel. When the touchpanel is placed on the docking station, it can switch automatically from RF wireless to fully wired operation if either Ethernet or Cresnet is connected. Without a wired Ethernet or Cresnet connection present, the touchpanel will continue to operate wirelessly while it charges. Power can be drawn either from the Cresnet network or the included power pack. A composite video input is also included to enable the display of full-motion video on the touchpanel screen while docked.

A single cable exits the rear of the docking station, which connects to the TPS-6X-IMCW interface module (included, refer to TPMC-6X-IMCW specifications for additional information).

## Features and Functions

- A low-profile desktop dock for the Isys TPS-6X
- Provides a simple battery charging solution
- Affords full featured touchpanel operation
- Supports wired Ethernet or Cresnet communications
- Enables balanced or unbalanced video input
- Features a lightweight cable for easy placement
- Powered by Cresnet or local power pack
- Includes TPS-6X-IMCW interface module and power pack
- Available in gloss black or white or matte black finishes

## Specifications

Specifications for the TPS-6X-DS-LP are listed in the following table.

**NOTE:** The TPS-6X-DS-LP is a passive device requiring no power; a TPS-6X-IMCW interface module and power pack are included to provide power and other connectivity for the TPS-6X touchpanel; refer to TPS-6X and TPS-6X-IMCW specifications for additional power requirements.

### *TPS-6X-DS-LP Specifications*

SPECIFICATION	DETAILS
Environmental	
Temperature	32° to 112°F (0° to 45°C)
Humidity	10% to 90% RH (non-condensing)
Enclosure	Plastic, angled cradle, integral cable assembly
Dimensions	
Height	1.82 in (47 mm)
Width	4.90 in (125 mm)
Depth	5.84 in (149 mm)
Weight	8 oz (222 g)
Available Models	
TPS-6X-DS-LP	Low-Profile Docking Station for TPS-6X, Gloss Black
TPS-6X-DS-LP-B-T	Low-Profile Docking Station for TPS-6X, Matte Black
TPS-6X-DS-LP-W-S	Low-Profile Docking Station for TPS-6X, Gloss White
Included Accessories	
TPS-6X-IMCW	Interface Module
Power Pack	24 Volt Power Pack

## Physical Description

This section provides information on the connections, controls and indicators available on your TPS-6X-DS-LP.

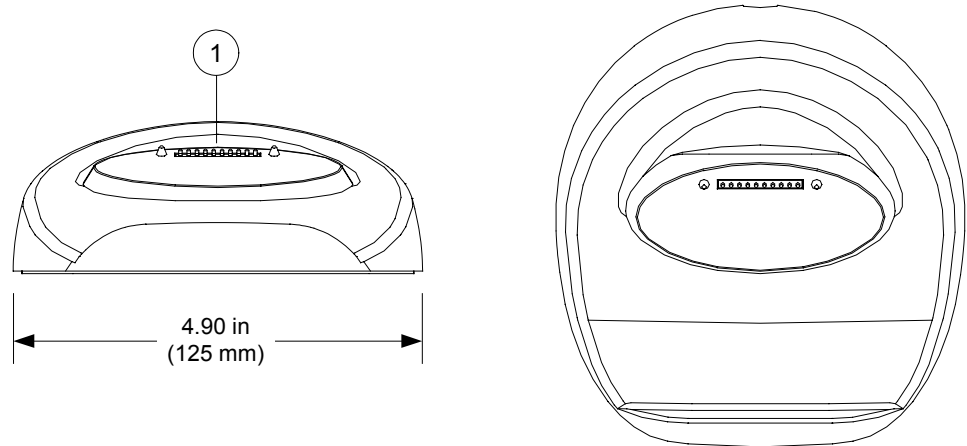
### *TPS-6X-DS-LP Physical View*



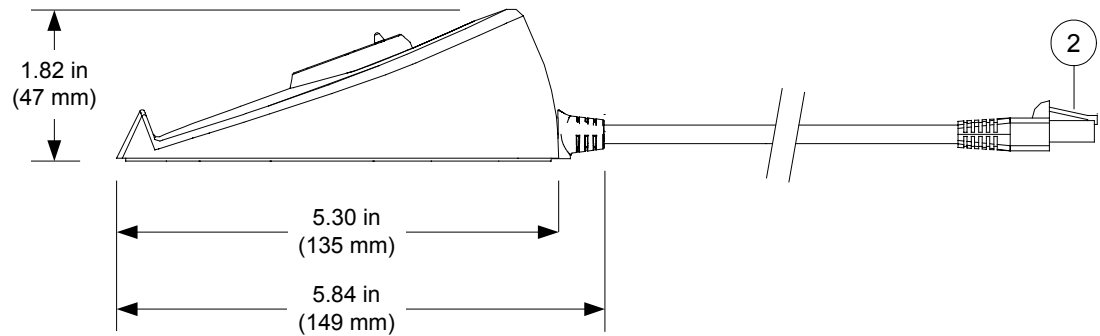
*TPS-6X on TPS-6X-DS-LP*



*TPS-6X-DS-LP Overall Dimensions (Front and Top Views)*

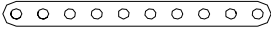



*TPS-6X-DS-LP Overall Dimensions (Side View)*



**NOTE:** The length of the connecting cable on the TPS-6X-DS-LP is 9 feet (2.75 meters). The length of the cable has been shortened for illustrative purposes in the diagram above.

*Connectors, Controls & Indicators*

#	CONNECTORS <sup>1</sup> , CONTROLS & INDICATORS	DESCRIPTION																																			
1	TOUCHPANEL CONNECTOR 	(1) 10-pin connector for connecting to touchpanel																																			
2	INTERFACE MODULE CONNECTOR <sup>2</sup> 	(1) Integral 9 foot (2.75 meter) cable with 10-pin RJ-50 male connector; Connects to TPS-6X-IMCW Interface Module (included)																																			
		<table border="1"> <thead> <tr> <th>TYPE</th> <th>PIN</th> <th>COLOR</th> <th>SIGNALS</th> </tr> </thead> <tbody> <tr> <td rowspan="10">10-Position RJ-50</td> <td>1</td> <td>Gray</td> <td>Ground</td> </tr> <tr> <td>2</td> <td>Orange/White</td> <td>Ethernet TX+</td> </tr> <tr> <td>3</td> <td>Orange</td> <td>Ethernet TX-</td> </tr> <tr> <td>4</td> <td>Green/White</td> <td>Ethernet RX+</td> </tr> <tr> <td>5</td> <td>Blue</td> <td>Cresnet Y</td> </tr> <tr> <td>6</td> <td>Blue/White</td> <td>Cresnet Z</td> </tr> <tr> <td>7</td> <td>Green</td> <td>Ethernet RX-</td> </tr> <tr> <td>8</td> <td>Brown/White</td> <td>Diff Video +</td> </tr> <tr> <td>9</td> <td>Brown</td> <td>Diff Video -</td> </tr> <tr> <td>10</td> <td>Gray/White</td> <td>Power 12V/24V</td> </tr> </tbody> </table>	TYPE	PIN	COLOR	SIGNALS	10-Position RJ-50	1	Gray	Ground	2	Orange/White	Ethernet TX+	3	Orange	Ethernet TX-	4	Green/White	Ethernet RX+	5	Blue	Cresnet Y	6	Blue/White	Cresnet Z	7	Green	Ethernet RX-	8	Brown/White	Diff Video +	9	Brown	Diff Video -	10	Gray/White	Power 12V/24V
TYPE	PIN	COLOR	SIGNALS																																		
10-Position RJ-50	1	Gray	Ground																																		
	2	Orange/White	Ethernet TX+																																		
	3	Orange	Ethernet TX-																																		
	4	Green/White	Ethernet RX+																																		
	5	Blue	Cresnet Y																																		
	6	Blue/White	Cresnet Z																																		
	7	Green	Ethernet RX-																																		
	8	Brown/White	Diff Video +																																		
	9	Brown	Diff Video -																																		
	10	Gray/White	Power 12V/24V																																		

1. The interface module connector fixed onto the TPS-6X-DS-LP is to be connected to the TPS-6X-IMCW's **TO PANEL** port.
2. To determine which is pin 1 on the cable, hold the cable so that the end of the ten pin modular jack is facing away from you, with the clip down and copper side up. Pin 1 is on the far left.



---

## Setup

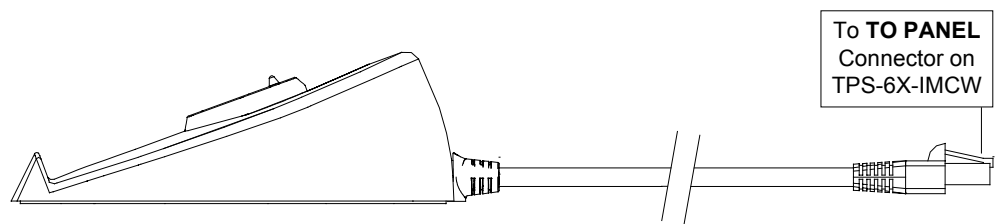
### Hardware Hookup

The only connection to the TPS-6X-DS-LP is via the fixed cable, which is connected to the **TO PANEL** port on the (included) TPS-6X-IMCW Interface Module.

When connecting the TPS-6X-DS-LP, consider the following:

- Use Crestron® power supplies for Crestron equipment.
- The included cable cannot be extended.

#### *Hardware Connection for the TPS-6X-DS-LP*



---

**NOTE:** The length of the connecting cable on the TPS-6X-DS-LP is 9 feet (2.75 meters). The length of the cable has been shortened for illustrative purposes in the diagram above.

---

### Recommended Cleaning

The TPS-6X-DS-LP comes in a soft microfiber bag to protect it during shipping. This can be used to clean the docking station.

---

## Resources

### Further Inquiries

If you cannot locate specific information or have questions after reviewing this guide, please take advantage of Crestron's award winning customer service team by calling Crestron at 1-888-CRESTRON [1-888-273-7876].

You can also log onto the online help section of the Crestron Web site ([www.crestron.com/onlinehelp](http://www.crestron.com/onlinehelp)) to ask questions about Crestron products. First-time users will need to establish a user account to fully benefit from all available features.

### Future Updates

As Crestron improves functions, adds new features and extends the capabilities of the TPS-6X-DS-LP, additional information may be made available as manual updates. These updates are solely electronic and serve as intermediary supplements prior to the release of a complete technical documentation revision.

Check the Crestron Web site periodically for manual update availability and its relevance. Updates are identified as an “Addendum” in the Download column.

---

## Return and Warranty Policies

### Merchandise Returns / Repair Service

1. No merchandise may be returned for credit, exchange or service without prior authorization from CRESTRON. To obtain warranty service for CRESTRON products, contact an authorized CRESTRON dealer. Only authorized CRESTRON dealers may contact the factory and request an RMA (Return Merchandise Authorization) number. Enclose a note specifying the nature of the problem, name and phone number of contact person, RMA number and return address.
2. Products may be returned for credit, exchange or service with a CRESTRON Return Merchandise Authorization (RMA) number. Authorized returns must be shipped freight prepaid to CRESTRON, 6 Volvo Drive, Rockleigh, N.J. or its authorized subsidiaries, with RMA number clearly marked on the outside of all cartons. Shipments arriving freight collect or without an RMA number shall be subject to refusal. CRESTRON reserves the right in its sole and absolute discretion to charge a 15% restocking fee plus shipping costs on any products returned with an RMA.
3. Return freight charges following repair of items under warranty shall be paid by CRESTRON, shipping by standard ground carrier. In the event repairs are found to be non-warranty, return freight costs shall be paid by the purchaser.

### CRESTRON Limited Warranty

CRESTRON ELECTRONICS, Inc. warrants its products to be free from manufacturing defects in materials and workmanship under normal use for a period of three (3) years from the date of purchase from CRESTRON, with the following exceptions: disk drives and any other moving or rotating mechanical parts, pan/tilt heads and power supplies are covered for a period of one (1) year; touchscreen display and overlay components are covered for 90 days; batteries and incandescent lamps are not covered.

This warranty extends to products purchased directly from CRESTRON or an authorized CRESTRON dealer. Purchasers should inquire of the dealer regarding the nature and extent of the dealer's warranty, if any.

CRESTRON shall not be liable to honor the terms of this warranty if the product has been used in any application other than that for which it was intended or if it has been subjected to misuse, accidental damage, modification or improper installation procedures. Furthermore, this warranty does not cover any product that has had the serial number altered, defaced or removed.

This warranty shall be the sole and exclusive remedy to the original purchaser. In no event shall CRESTRON be liable for incidental or consequential damages of any kind (property or economic damages inclusive) arising from the sale or use of this equipment. CRESTRON is not liable for any claim made by a third party or made by the purchaser for a third party.

CRESTRON shall, at its option, repair or replace any product found defective, without charge for parts or labor. Repaired or replaced equipment and parts supplied under this warranty shall be covered only by the unexpired portion of the warranty.

Except as expressly set forth in this warranty, CRESTRON makes no other warranties, expressed or implied, nor authorizes any other party to offer any warranty, including any implied warranties of merchantability or fitness for a particular purpose. Any implied warranties that may be imposed by law are limited to the terms of this limited warranty. This warranty statement supersedes all previous warranties.



**Crestron Electronics, Inc.**  
15 Volvo Drive Rockleigh, NJ 07647  
Tel: 888.CRESTRON  
Fax: 201.767.7576  
[www.crestron.com](http://www.crestron.com)

---

**Installation Guide – DOC. 7142A**  
**(2029614)**  
**03.11**  
Specifications subject to  
change without notice.