

TPMC-4SM

4.3” Room Scheduling Touch Screen

- > Room scheduling touch screen
- > For use with Crestron Fusion RV® software
- > Intuitive on-screen scheduling interface
- > 4.3” widescreen active-matrix color display
- > Built-in proximity sensor
- > Room occupancy sensor option^[3]
- > Smart Graphics™ support
- > High-performance H.264 streaming video^[2]
- > Crestron IP intercom^[2]
- > Customizable audio feedback^[2]
- > Built-in microphone and speaker^[2]
- > 10 optional “hard key” pushbuttons
- > Dual-color button backlighting
- > Custom engravable button text^[3]
- > Single-wire Ethernet connectivity
- > PoE network powered
- > Versatile wall, surface, and tabletop mounting options^[1]
- > Modern, contoured appearance
- > Available with black or white smooth finish

Crestron® Room Scheduling Touch Screens provide an invaluable productivity tool for organizations with multiple conference rooms and meeting spaces. Mounted on the wall outside each room, they allow anyone to see at-a-glance if a room is available or in use, view details about the current meeting, and look up the room’s entire schedule. Upcoming meetings and open time slots are clearly displayed on the color touch screen, and users can even reserve a room right on the spot.

Room Scheduling Touch Screens end the wasteful practice of searching the corridors for an available room. They eliminate confusion over which room is booked — by whom and for how long — and allow attendees to verify they’re in the right place before entering a room. They help organizations to maximize productivity and get the most usable time out of every room.

Crestron Room Scheduling Touch Screens are designed to be installed as part of a complete enterprise room scheduling solution using Fusion RV® Remote Asset Management Software.

Form and Function

The TPMC-4SM Room Scheduling Touch Screen features a 4.3 inch (109 mm) widescreen display, perfectly sized for viewing and accessing essential meeting and scheduling information through an intuitive on-screen interface. Shortcut buttons on either side of the touch screen provide quick access to the most common scheduling functions.

With its clean, modern appearance, the TPMC-4SM makes an elegant statement in any environment including office buildings, conference centers, hotels, and universities. Its compact size and a choice of mounting options allow the TPMC-4SM to be installed in places other touch screens just can’t go. It can be installed on a wall over a standard electrical box,



placed on a table, or mounted to virtually any flat surface — even glass, granite, or marble.^[1] Its contoured shape affords clear visibility down long corridors, with room status indicators at either side that shine green when the room is available and red when it is in use.

Room Scheduling

The TPMC-4SM is optimized for use with Crestron Fusion RV software, enabling tight integration with popular scheduling applications like Microsoft® Exchange, Office 365™, IBM® Notes®, CollegeNET® R25®, and Google Calendar™. Through its color touch screen, the TPMC-4SM provides essential room scheduling capabilities that can be customized to suit the needs of any organization.



- **Schedule View** – Displays a clear, at-a-glance view of the current reservation, with the ability to also see upcoming reservations and available time slots at the press of a button. New reservations can be scheduled on the spot.
- **Find** – Allows you to search all the rooms on the network, and reserve any room nearby, without leaving the touch screen you’re at.
- **End Now** – Allows you to end a reservation early, making the room available to others immediately.
- **Extend** – Allows you to extend the current reservation if a meeting is running over and the room is still available.
- **Details** – Provides additional information about a reservation.
- **Broadcast Messaging** – Allows text bulletins, announcements, and other messages to be displayed on the touch screen. Emergency broadcasts can be accompanied by an alert sound, while non-emergency messages are displayed on the screen without disrupting its normal use.

Dual-Color Backlit Buttons

The TPMC-4SM comes standard with 10 “hard key” pushbuttons. Positioned on either side of the touch screen display, these buttons offer an easy method for navigating the on-screen user interface, providing quick access to the most common scheduling functions. The buttons are also backlit, illuminating green or red to indicate when the room is available or in use.

TPMC-4SM 4.3" Room Scheduling Touch Screen



TPMC-4SM-B-S with "No-Button" Covers



TPMC-4SM-W-S with "No-Button" Covers and TTK-4SM Tabletop Kit



TPMC-4SM-B-S with WMKU-4SM Universal Wall Mount Kit



TPMC-4SM-W-S with "No-Button" Covers and MSMK-4SM Multi-Surface Mount Kit (Shown w/optional angle bracket)

The button backlighting is fully dimmable to allow for just the right brightness. For custom applications, each button can be individually programmed to provide discrete feedback^[2]. Customized labeling of the buttons can also be attained using Crestron Engraver software. For a clean appearance, the buttons may be removed and covered using the no-button covers provided.

Occupancy Sensing

Crestron GLS Series room occupancy sensors^[3] can be connected directly to the TPMC-4SM to detect when no one has shown up for a scheduled meeting. In such an event, the current reservation can be cancelled automatically to make the room available to others.

Proximity Sensor

As you approach the TPMC-4SM, it senses your presence and wakes the screen automatically, allowing room status and meeting details to be viewed without having to touch the screen.

Custom User Mode

Just like any other Crestron touch screen, the TPMC-4SM can be custom programmed for all types of applications. The TPMC-4SM supports Smart Graphics to deliver the ultimate user experience for controlling AV, lighting, shades, HVAC, and other functions. Additional enhancements include support for H.264 streaming video, IP intercom, and audio feedback.

Single-Wire Connectivity

A simple Ethernet LAN connection is all that is required to wire the TPMC-4SM, containing all control, video, intercom, and power signals within a single wire.

Power over Ethernet

Using PoE technology, the TPMC-4SM gets its operating power right through the LAN wiring. PoE (Power over Ethernet) eliminates the need for a local power supply or any dedicated power wiring. A PoE Injector ([PWE-4803RU](#)^[3]) simply connects in line with the LAN cable at any convenient location. Crestron PoE switches ([CEN-SW-POE-5](#) or [CEN-SWPOE-16](#)^[3]) may also be used to provide a total networking solution with built-in PoE.

Versatile Mounting Options

The TPMC-4SM installs easily on virtually any mounting surface. As standard, it mounts directly to a single-gang electrical box (horizontally oriented) or a European electrical box, requiring just 1/2-inch (12 mm) mounting depth while protruding less than 3/4-inch (19 mm) from the wall surface. It can also be adapted for mounting to a vertically-oriented 1-gang or 2-gang electrical box, or a 2-gang UK electrical box, using the optional Universal Wall Mount Kit ([WMKU-4SM](#)^[3]), which can also be used without an electrical box for a low-profile surface-mount solution.^[4]

TPMC-4SM 4.3” Room Scheduling Touch Screen

For impenetrable surfaces, such as decorative glass, granite, marble, plaster, smooth stone, and masonry, Crestron offers the Multi-Surface Mount Kit ([MSMK-4SM](#)^[3]), which provides a very versatile mounting solution complete with a low-profile rear shell enclosure, adhesive mounting plate, optional angle bracket, and wire raceway. And finally, the Tabletop Kit ([TTK-4SM](#)^[1]) converts the TPMC-4SM into a stylish, compact tabletop touch screen, either free-standing or permanently-mounted on a tabletop or counter surface.

SPECIFICATIONS

Touch Screen Display

Display Type: TFT Active matrix color LCD
Size: 4.3 inch (109 mm) diagonal
Aspect Ratio: 16:9 WVGA
Resolution: 800 x 480 pixels
Brightness: 270 nits (cd/m²)
Contrast: 300:1
Color Depth: 16-bit, 64k colors
Illumination: Backlit LED
Viewing Angle: ±80° horizontal, ±80° vertical
Touch Screen: Resistive membrane

Buttons

Hard Keys: (10) Optional pushbuttons, translucent backlit, for scheduling functions (default) or programmable for any function
Feedback/Backlight: (1) Red and (1) green LED per hard key, for room status indication (default) or programmable for custom feedback and backlighting
Reset: (1) Recessed pushbutton behind pinhole for hardware reset

Proximity Sensor

Type: Active infrared beam and receiver
Range: 3-4 feet
Wakes the touch screen and backlight

Memory

SDRAM: 256 MB
Flash: 2 GB
Maximum Project Size: 60 MB

Graphics Engine

Supports Smart Graphics™ or “traditional” GUI projects

Communications

Ethernet: 10/100 Mbps, auto-switching, auto-negotiating, auto-discovery, full/half duplex, DHCP, IEEE 802.3af and 802.3at compliant

Video ^[2]

Streaming Formats: H.264 (MPEG-4 part 10 AVC), MJPEG

Audio ^[2]

Features: Built-in microphone and speaker, Crestron IP Intercom
Audio Feedback Formats: MP3 using Smart Graphics, WAV using “traditional” graphics

Connectors

LAN PoE: (1) 8-pin RJ45 with 2 LED indicators;
10Base-T/100Base-TX Ethernet port;
Power over Ethernet compliant;
Green and yellow LEDs indicate Ethernet port status

Occupancy Sensor Input: (4) Captive screw terminals comprising (2) voltage sensing inputs (referenced to GND) with 24 Volt DC power output;
Input Voltage Range: 0-30 Volts DC;
Sensing Threshold: ≥4.5 Volts DC active, ≤1 Volt DC inactive;
Maximum DC Load: 4 Watts @ 24 Volts DC, provides operating power for up to (4) Crestron GLS Series “NS” type occupancy sensors

Power Requirements

Power over Ethernet: IEEE 802.3at Type 1 (802.3af compatible) Class 3 (12.95 W) PoE Powered Device

Environmental

Temperature: 32° to 104° F (0° to 40° C)
Humidity: 10% to 90% RH (non-condensing)
Heat Dissipation: 14 BTU/Hr

Enclosure

Construction: Plastic, black or white, smooth finish
Front Bezel: Plastic, hard buttons installed with pre-labeled button covers, custom engraving sold separately, “no-button” covers also included
Mounting: Requires a horizontally-oriented 1-Gang electrical box or plaster ring, or a 1-Gang European (DIN 49073) electrical box; choice of standard or security screws provided; optional universal wall, multi-surface, and tabletop mounting kits sold separately^[1]

Dimensions

Height: 3.47 in (89 mm)
Width: 6.20 in (158 mm)
Depth: 1.21 in (31 mm)

Weight

8.8 oz (249 g)

TPMC-4SM 4.3" Room Scheduling Touch Screen

MODELS & ACCESSORIES

Available Models

TPMC-4SM-B-S: 4.3" Room Scheduling Touch Screen, Black Smooth
TPMC-4SM-W-S: 4.3" Room Scheduling Touch Screen, White Smooth

Available Accessories

4SM-BTNO: Engravable Button Covers w/Custom Engraving, Set of 2
WMKU-4SM: Universal Wall Mount Kit
MSMK-4SM: Multi-Surface Mount Kit
TTK-4SM: Tabletop Kit
SMK-4SM/730: Swivel Mount Kit for TTK-4SM
PWE-4803RU: PoE Injector
CEN-SW-POE-5: 5-Port PoE Switch
CEN-SWPOE-16: 16-Port Managed PoE Switch
GLS-ODT-C-NS: Dual-Technology Ceiling Mount Occupancy Sensor
GLS-OIR-C-NS: Passive Infrared Ceiling Mount Occupancy Sensor
GLS-ODT-W-1200: Dual-Technology Wall Mount Occupancy Sensor
GLS-OIR-W-2500: Passive Infrared Wall Mount Occupancy Sensor

Notes:

1. Please refer to the "Versatile Mounting Options" section for important details about electrical box mounting and other installation options. The universal, multi-surface, and tabletop mounting kits are each sold separately.
2. Enabled through custom programming. Not used for typical room scheduling applications.
3. Item(s) sold separately.
4. The [WMKU-4SM](#) mounting option requires a minimum surface cut-out or electrical box opening of 1.7 inches (44 mm) high x 2.0 inches (51 mm) wide.

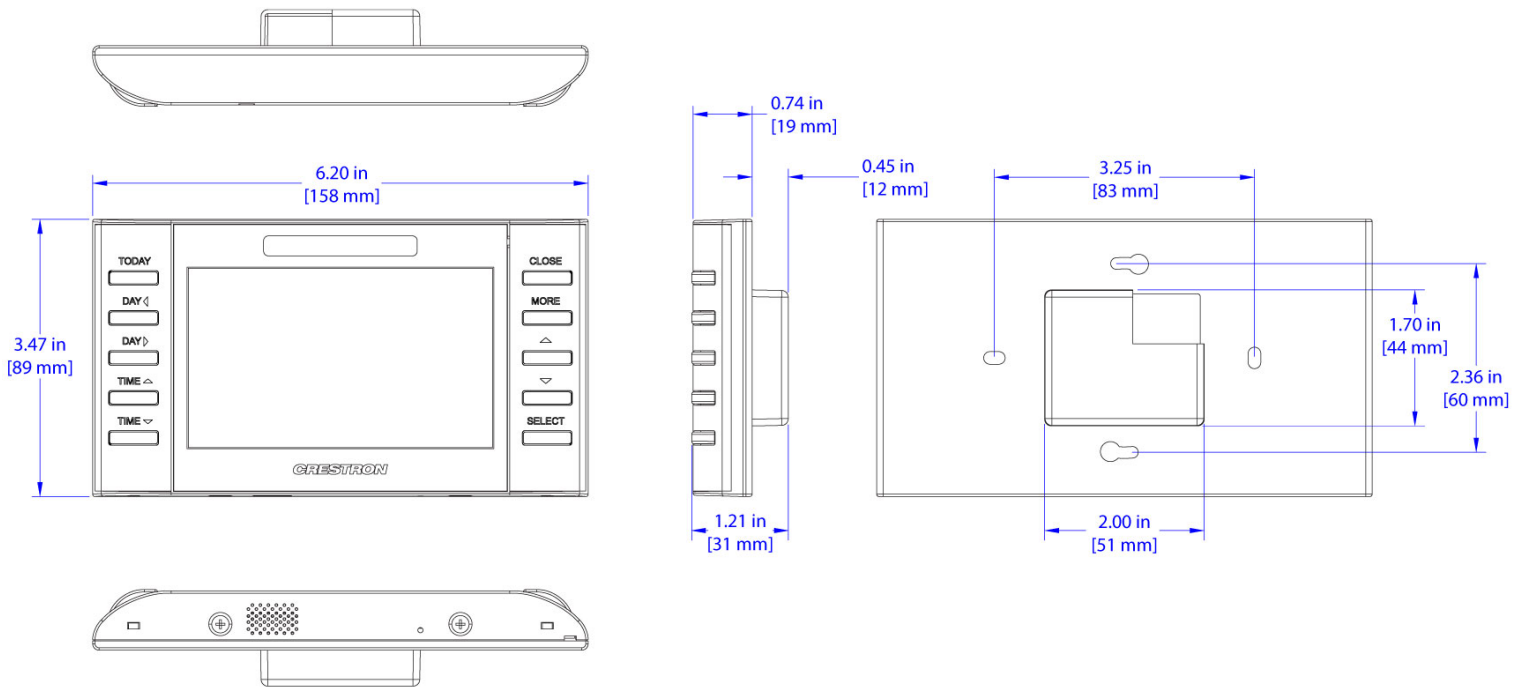
This product may be purchased from an authorized Crestron dealer. To find a dealer, please contact the Crestron sales representative for your area. A list of sales representatives is available online at www.crestron.com/salesreps or by calling 800-237-2041.

The specific patents that cover Crestron products are listed online at: patents.crestron.com.

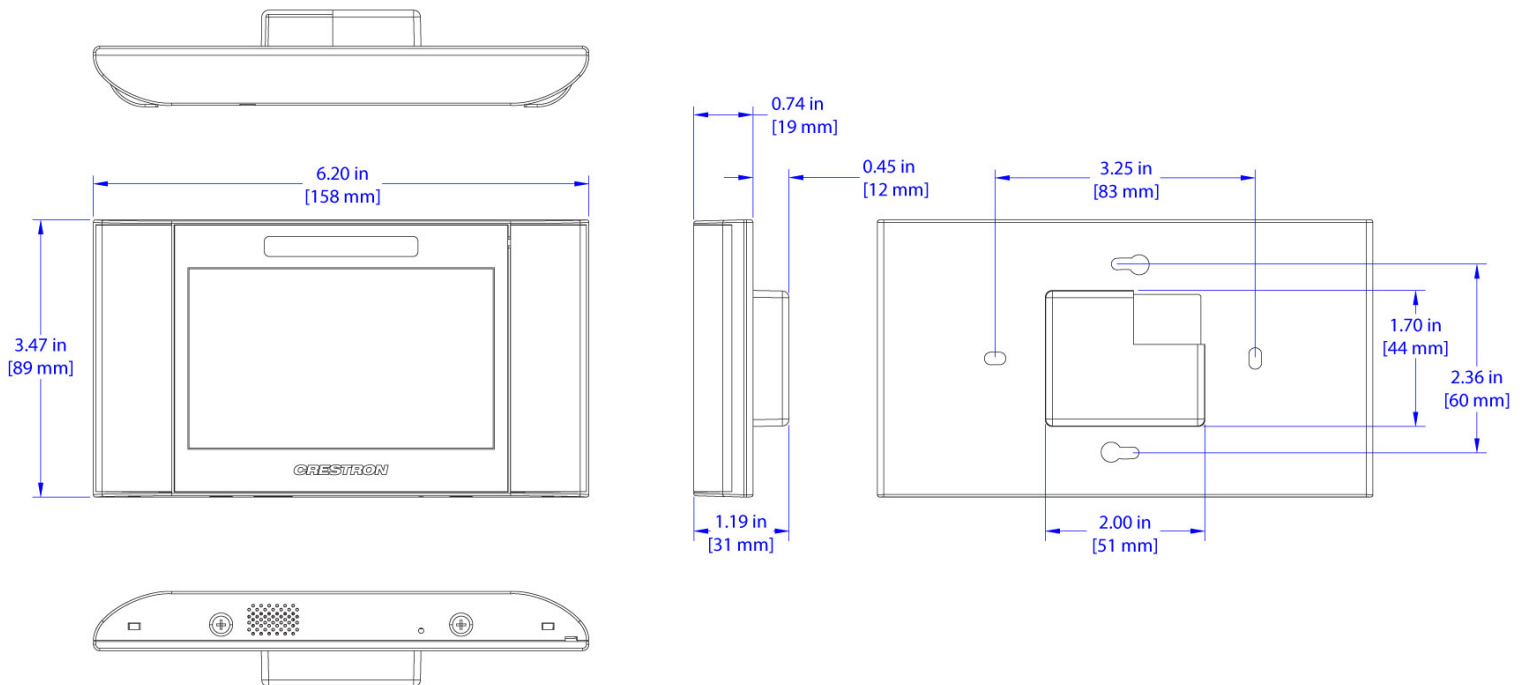
Certain Crestron products contain open source software. For specific information, please visit www.crestron.com/opensource.

Crestron, the Crestron logo, Fusion RV, and Smart Graphics are either trademarks or registered trademarks of Crestron Electronics, Inc. in the United States and/or other countries. CollegeNET and R25 are either trademarks or registered trademarks of CollegeNET, Inc. in the United States and/or other countries. Google Calendar is either a trademark or registered trademark of Google Inc. in the United States and/or other countries. IBM and Notes are either trademarks or registered trademarks of International Business Machines Corporation in the United States and/or other countries. Microsoft and Office 365 are either trademarks or registered trademarks of Microsoft Corporation in the United States and/or other countries. Other trademarks, registered trademarks, and trade names may be used in this document to refer to either the entities claiming the marks and names or their products. Crestron disclaims any proprietary interest in the marks and names of others. Crestron is not responsible for errors in typography or photography. Specifications are subject to change without notice. ©2015 Crestron Electronics, Inc.

TPMC-4SM 4.3" Room Scheduling Touch Screen



Shown with buttons and pre-labeled button covers



Shown with "no-button" covers