

X-Series Amplifier, 75 W

The Crestron® AMP-X75 is a high performance, space saving, energy efficient amplifier that's totally configurable, yet simple to use. Whether installed in a rack, mounted on a wall, or placed on a table, the AMP-X75 is simple to specify and install in any configuration.



In the Box

- 1 AMP-X75, X-Series Amplifier, 75 W
- Additional Items**
- 4 Screw, 8-32 x 5/16 in., Flat Head, Phillips, Black (2055195)
- 4 Screw, 6-32 x 3/8 in., Undercut Head, Phillips (2055196)
- 2 Plate, Joining (2055198)
- 4 Foot, Adhesive, Black (2055200)
- 1 Fascia Plate with Tape, Quarter-Width (2058154)
- 1 Rack Ear, 1U, Quarter-Width (2058155)
- 1 Fascia Plate with Tape, Half-Width (2058156)
- 1 Rack Ear, 1U, Half-Width (2058157)
- 1 Power cord (2055205)
- 1 Connector, Speaker (2055206)
- 2 Connector, Input (2055207)
- 1 Connector, 2-Pin (2003574)



Assemble

Prepare for Installation

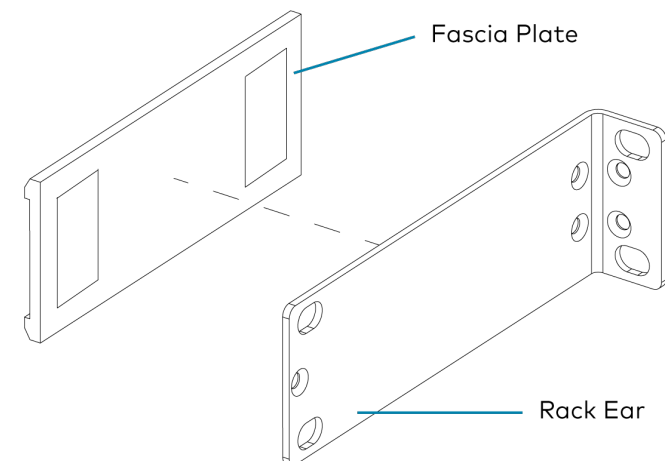
The amplifier can be installed in a rack, mounted on a wall, or placed on a table.

Rack Installation

Before an amplifier can be installed in a rack, rack ears must be attached.

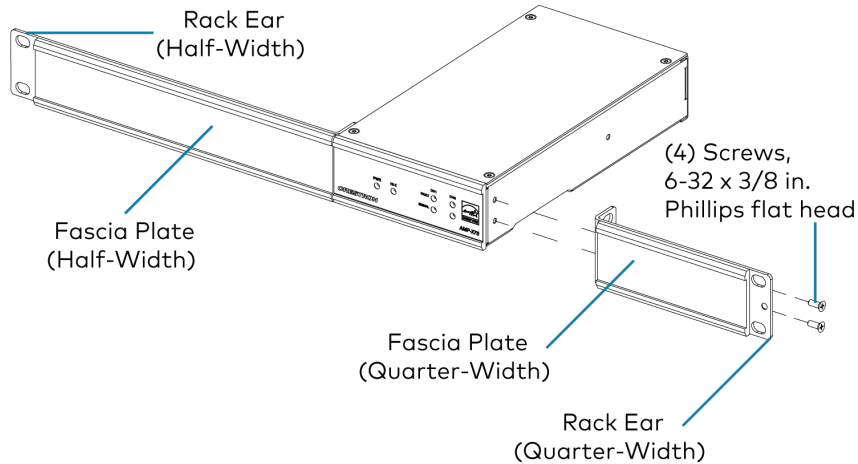
Single Amplifier

1. Remove the protective plastic from the adhesive strip on the rear side of the fascia plates.
2. Press the fascia plates against the rack ears to attach them.



X-Series Amplifier, 75 W

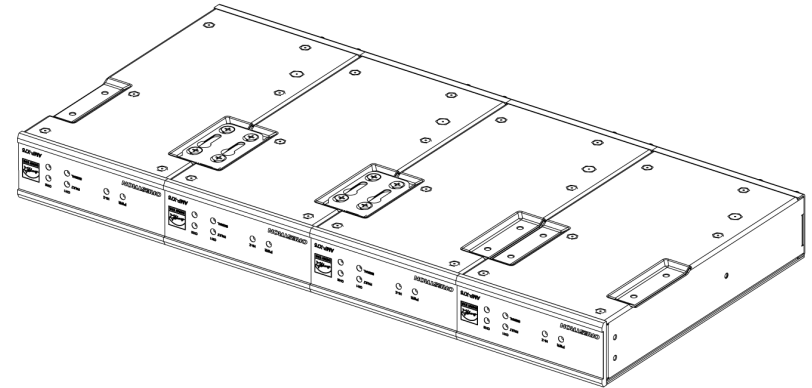
- Attach the rack ears to the amplifier with the four included 6-32 x 3/8 in. screws.



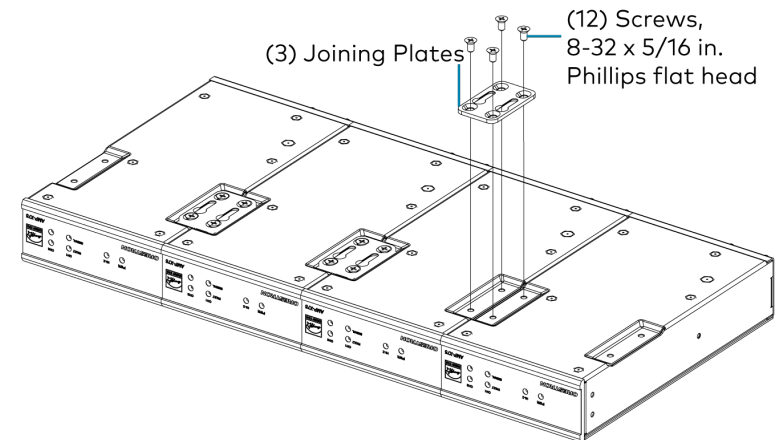
Ganged Amplifiers

Up to four amplifiers can be ganged together while occupying only 1 RU of rack space. When ganged together, the amplifier assembly occupies the entire width of the rack. When ganging together two or three amplifiers, a combination of quarter-width and half-width rack ears and fascia plates must be used.

- Place the amplifiers upside-down and adjacent to each other on a flat surface.

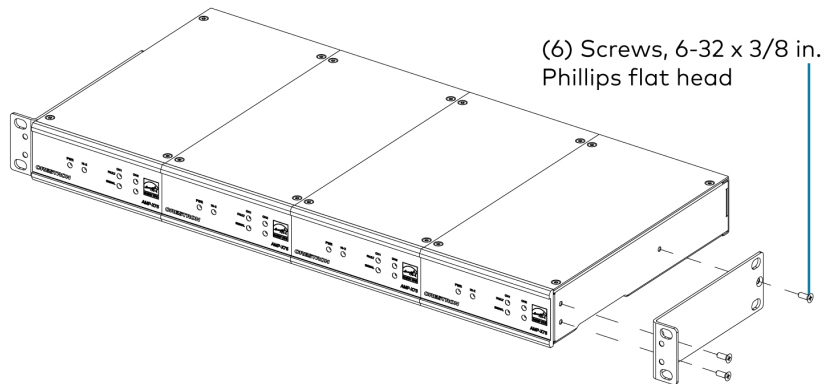


- Use a Phillips screwdriver (not included) to gang the amplifiers together with three joining plates (two are included with each amplifier) and twelve 8-32 x 5/16 in. screws (four are included with each amplifier).



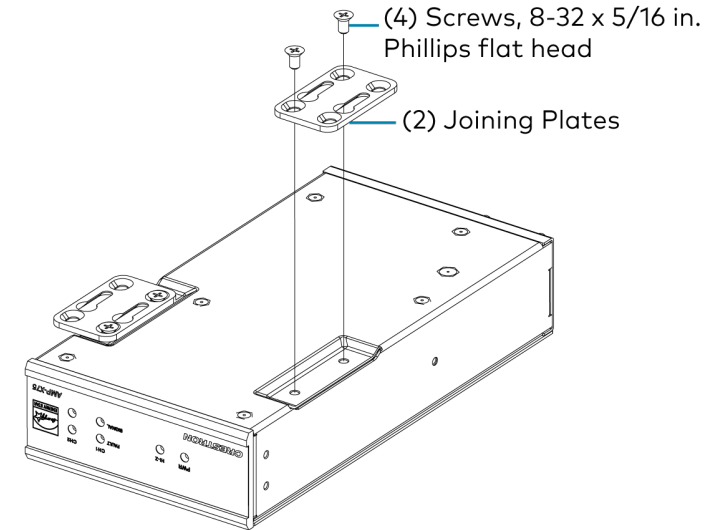
X-Series Amplifier, 75 W

3. Turn over the amplifier assembly and attach the rack ears to each side of the amplifier assembly with six 6-32 x 3/8 in. screws (four are included with each amplifier).



Surface Mount

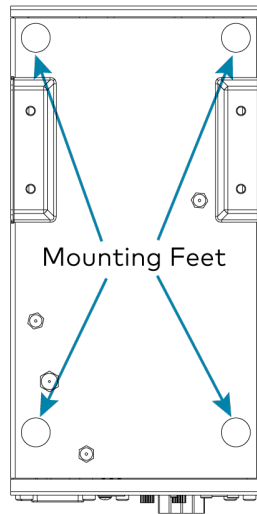
Place the amplifier upside-down on a flat surface and attach the two included joining plates using the four included 8-32 x 5/16 in. screws (two screws for each side of the device).



X-Series Amplifier, 75 W

Surface Placement

Attach the four included feet if the amplifier is to be placed on a flat surface such as a table.



Install

Once assembled, the amplifier can be installed in a rack, mounted on a wall, or placed on a table.

Rack Mounting Safety Precautions

Elevated Operating Ambient Temperature: If installed in a closed or multi-unit rack assembly, the operating ambient temperature of the rack environment may be greater than the room ambient temperature. Therefore, consideration should be given to installing the equipment in an environment compatible with the maximum ambient temperature (T_{ma}) specified by the manufacturer.

Reduced Airflow: Installation of the equipment in a rack should be such that the amount of airflow required for safe operation of the equipment is not compromised.

Mechanical Loading: Mounting of the equipment in the rack should be such that a hazardous condition is not achieved due to uneven mechanical loading.

Circuit Overloading: Consideration should be given to the connection of the equipment to the supply circuit and the effect that overloading of the circuits might have on overcurrent protection and supply wiring. Appropriate consideration of equipment nameplate ratings should be used when addressing this concern.

Reliable Earthing: Reliable earthing of rack-mounted equipment should be maintained. Particular attention should be given to supply connections other than direct connections to the branch circuit (e.g., use of power strips).

X-Series Amplifier, 75 W

Electrical Connection:

"This product must be connected to an earthed mains socket-outlet."

Finland: "Laite on liitettävä suojamaadoituskoskettimilla varustettuun pistorasiaan."

Norway: "Apparatet må tilkoples jordet stikkontakt."

Sweden: "Apparaten skall anslutas till jordat uttag."

Denmark: "Apparatets stikprop skal tilsluttes en stikkontakt med jord som giver forbindelse til stikproppens jord."

This symbol indicates a potential shock hazard.



This equipment is not suitable for use in locations where children are likely to be present.

CAUTIONS:

- Do not touch uninsulated parts of terminals and bare wiring. Touching uninsulated terminals or wiring may result in an unpleasant sensation.
- Do not connect any equipment that has a direct connection to mains circuitry to audio inputs or outputs. All mains supplied equipment connected to the product must have an approved safety barrier.

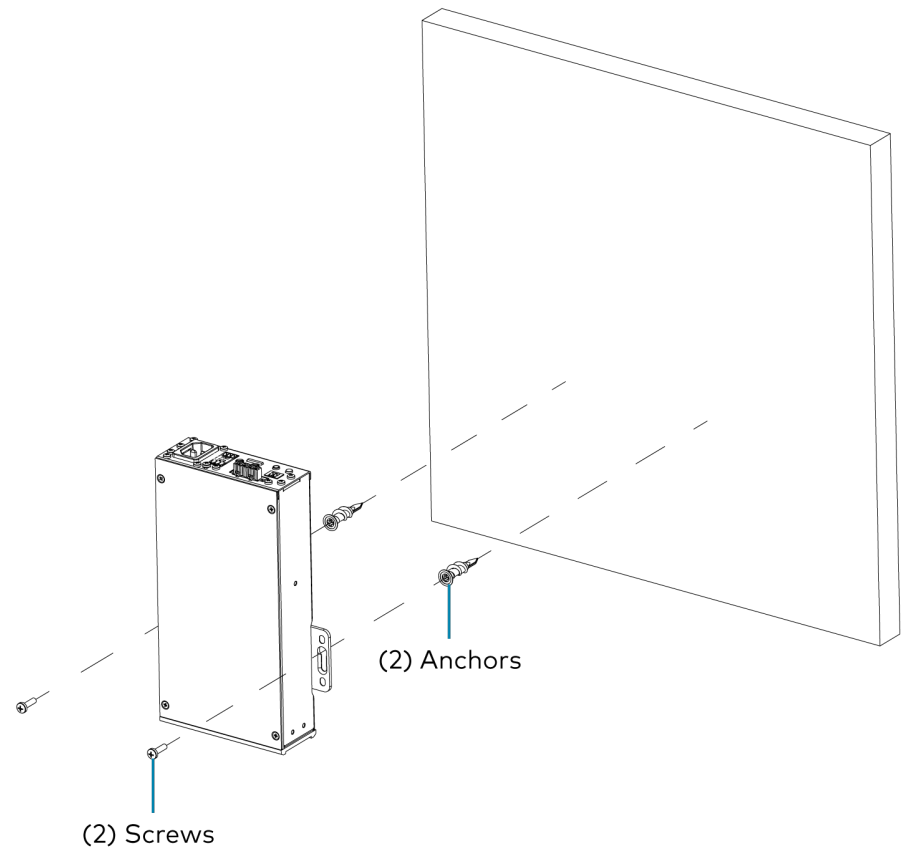
Mount into a Rack

Each rack mounting configuration for the amplifier will occupy 1 RU of rack space. Mount the configuration with the rack ears attached into the rack using four mounting screws (not included).

Mount on a Flat Surface

Using two anchors (not included) and two mounting screws (not included), mount the device onto a flat surface such as a wall.

NOTE: Be sure to mount the amplifier on a flat surface with the rear panel facing upwards.



X-Series Amplifier, 75 W

Place on a Flat Surface

Place the amplifier on a flat surface such as a table.



Connect

Make the necessary connections as called out in the following diagrams. Connect power last.

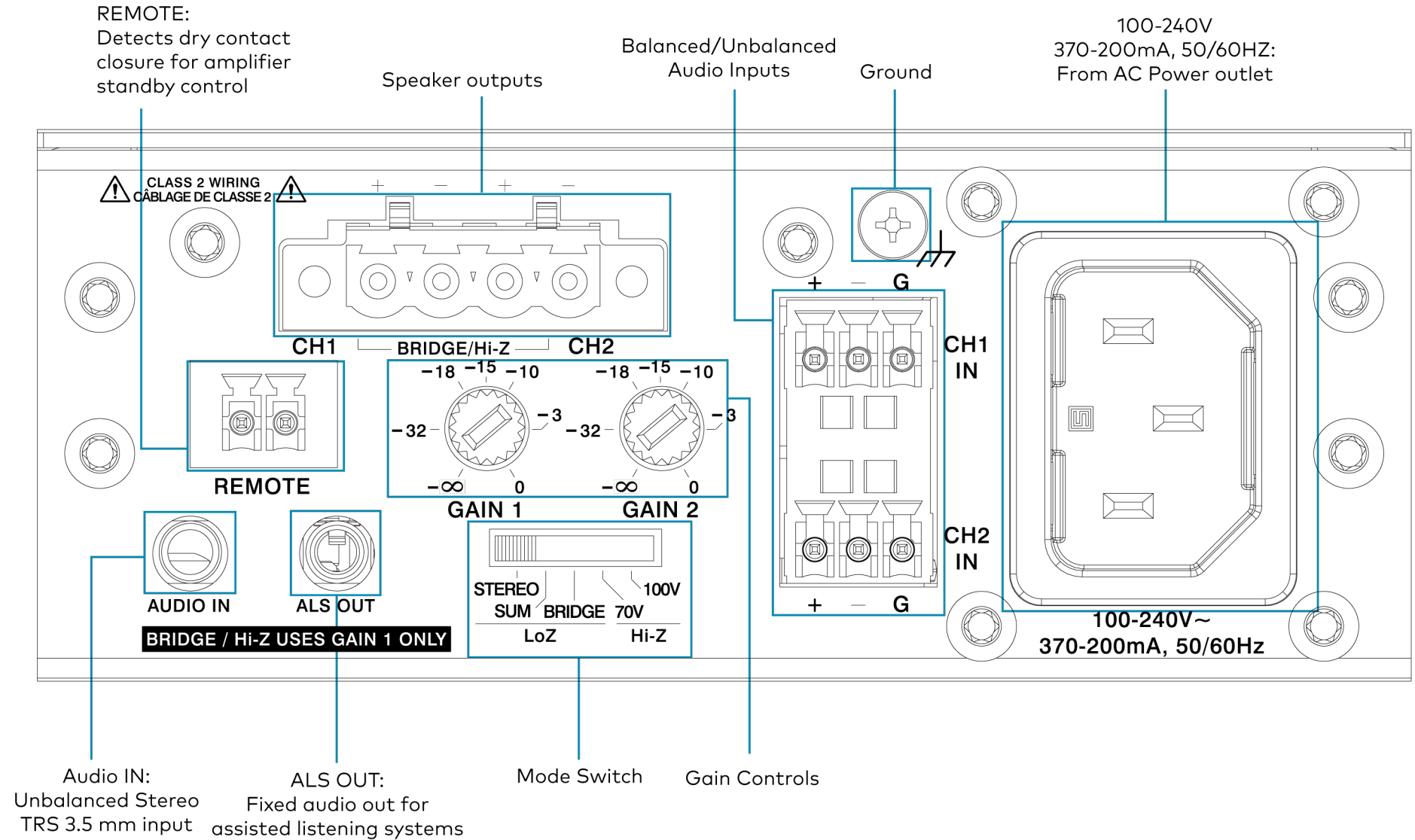
CAUTIONS:

- Keep the device unplugged until all of the input and speaker wiring is complete.
- Check the connections for shorts and frayed wiring at all the input/output connectors.
- For terminals that have no conductive parts accessible after wiring is installed, refer to the wiring instructions.

NOTES:

- Ensure that the unit is properly grounded by connecting the chassis ground lug to an earth ground (building steel).
- To prevent overheating, do not operate this product in an area that exceeds the environmental temperature range of 41 to 104°F (5° to 40°C).

X-Series Amplifier, 75 W



X-Series Amplifier, 75 W

Speaker Mode Selection Switch

The AMP-X75 can be configured to work with 4 Ω and 8 Ω (low impedance/LoZ) loads or constant voltage (high impedance) 70V/100V loads.

- **LoZ:** Set the switch to **LoZ** to use the amplifier with 4 Ω or 8 Ω low impedance loudspeakers.
- **70V:** Set the switch to **70V** to use the amplifier with a 70V constant voltage load.
- **100V:** Set the switch to **100V** to use the amplifier with a 100V constant voltage load.

NOTE: Only Gain Control CH1 is active while in **70V**, **100V**, or **BRIDGE** mode.

LoZ Mode Selection Switch

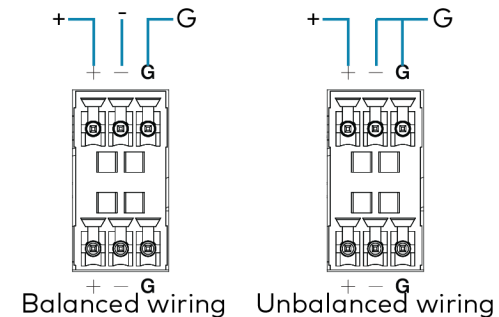
When operating in LoZ mode, the AMP-X75 outputs can operate in stereo, as summed outputs or as a bridged output. Set the LoZ Mode selection switch to the desired setting and connect the outputs as required.

- **STEREO:** When set to **STEREO**, the input signals received on inputs **CH1** and **CH2** are sent to their respective outputs. Gain controls 1 and 2 are independently adjustable, respective to the output channel.
- **SUM:** When set to **SUM**, input signals sent to **CH1 IN** and **CH2 IN** are summed and sent to outputs **CH1** and **CH2**. Gain controls 1 and 2 are independently adjustable, respective to the output channel.
- **BRIDGE:** When set to **BRIDGE**, **CH1 IN** and **CH2 IN** are summed together and output is bridged. Gain control CH1 is adjustable and controls the level of the bridged output.

Input Wiring

Balanced and Unbalanced Audio

The AMP-X75 can receive balanced audio through the terminal block connector and unbalanced audio through the terminal block connector or the 3.5 mm TRS connector. Refer to the following diagrams when wiring the terminal block connectors.



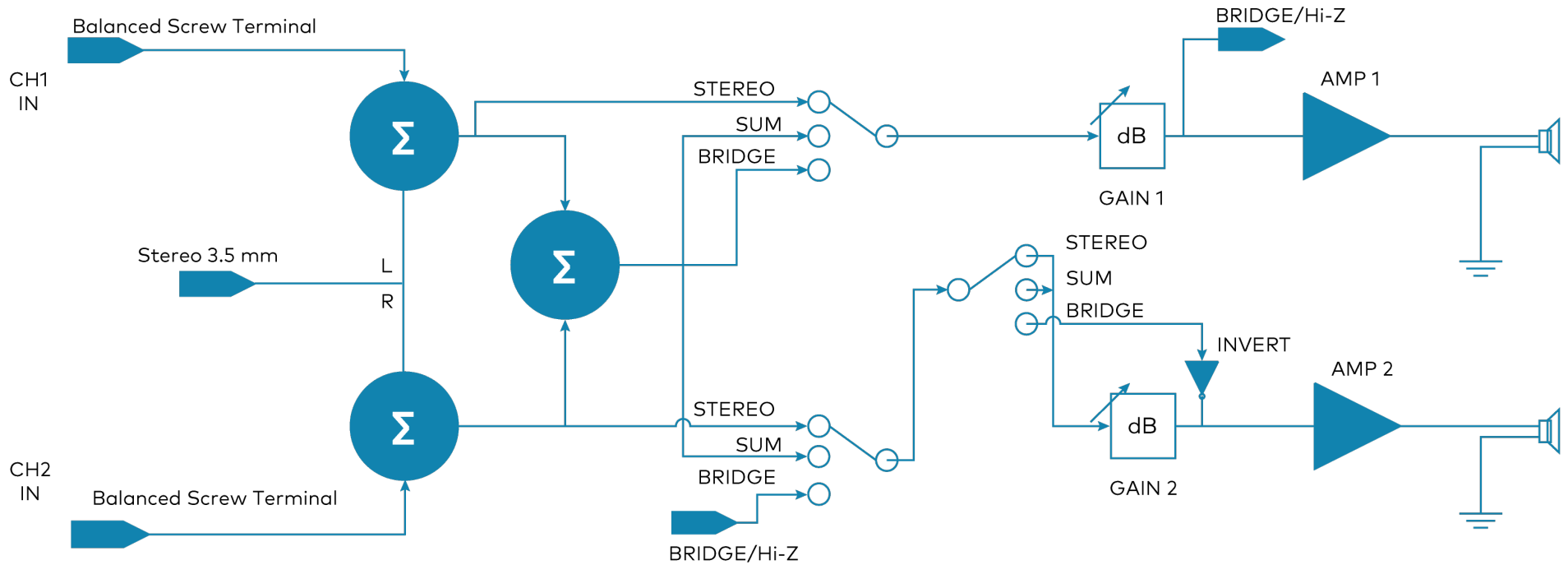
Mono and Stereo Input

The AMP-X75 can be wired for mono and stereo inputs.

X-Series Amplifier, 75 W

Signal Flow Diagram

Refer to the following diagram for details on stereo, summed, bridged, and Hi-Z signal flow.



Output Wiring Options

The AMP-X75 can be configured for low impedance (LoZ) stereo or sum operation over two channels, mono bridged operation over one channel, or high impedance (70V or 100V) operation over one channel. Refer to the following diagrams for details.

X-Series Amplifier, 75 W

2 Channel up to 35 W Each Output (Low Impedance)

Speaker Mode: LoZ

LoZ MODE: STEREO

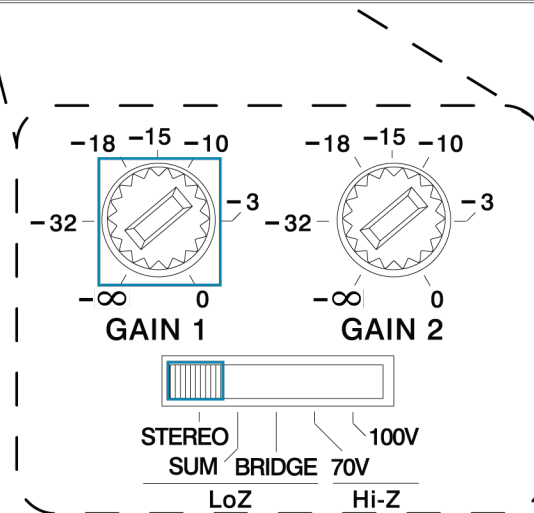
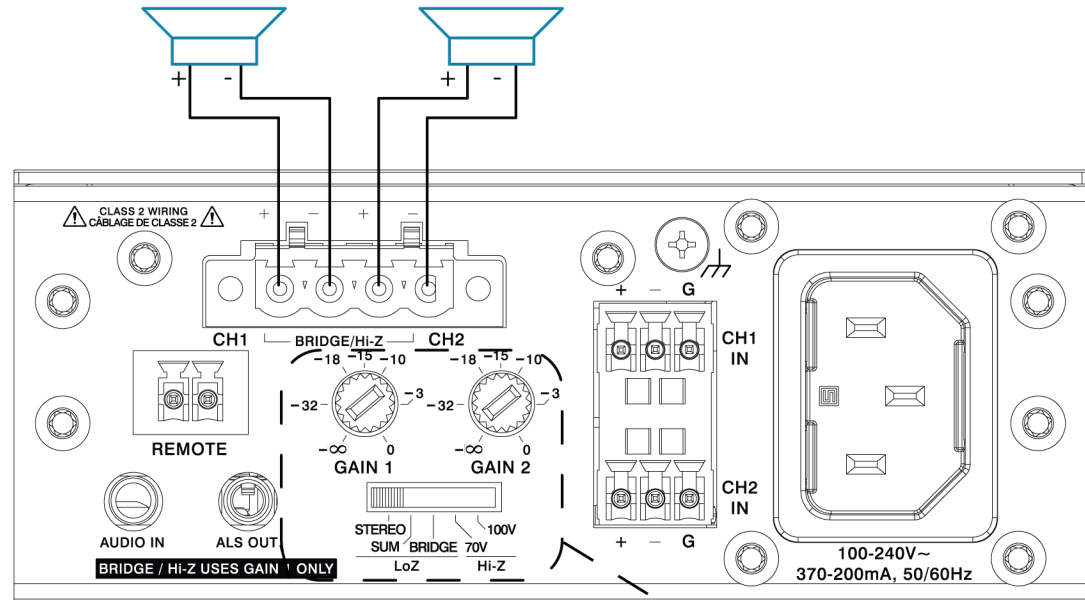
GAIN 1 & 2: Set to optimize amplifier output levels.

ALTERNATE LoZ SETTING

LoZ MODE: SUM

GAIN 1 & 2: Set to optimize amplifier output levels.

NOTE: Inputs 1 and 2 are summed together.



X-Series Amplifier, 75 W

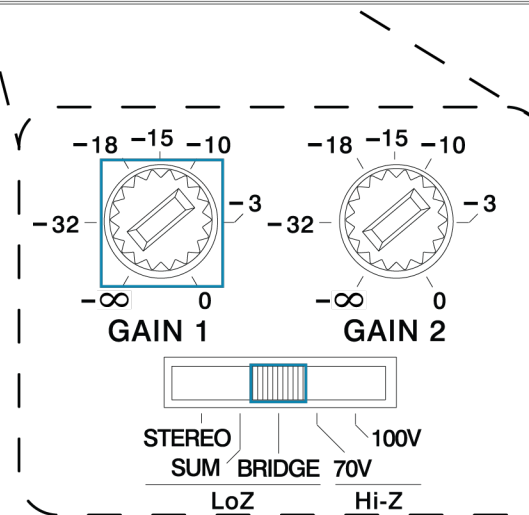
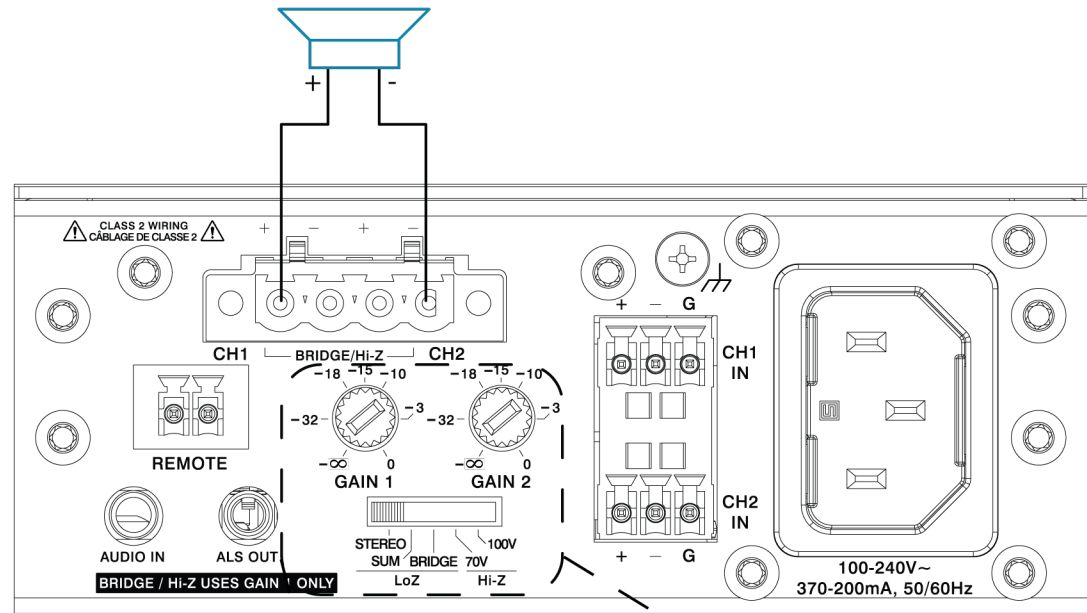
1 Channel up to 75 W Bridged Output (Low Impedance)

Speaker Mode: LoZ

LoZ MODE: BRIDGE

GAIN 1 & 2: Set to optimize amplifier output levels.

NOTE: When set to **BRIDGE**, only **GAIN** control 1 is active. Inputs 1 and 2 are summed together.



X-Series Amplifier, 75 W

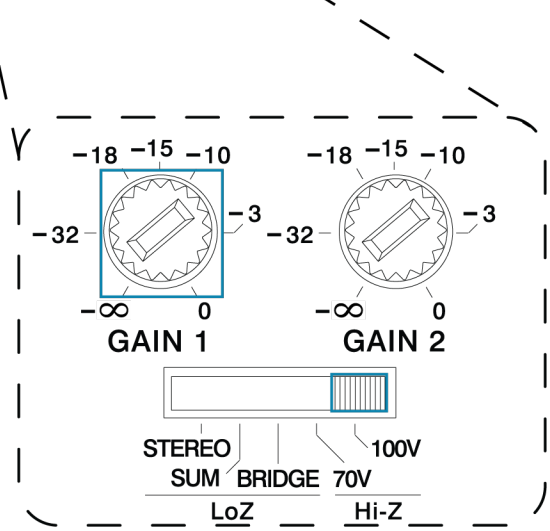
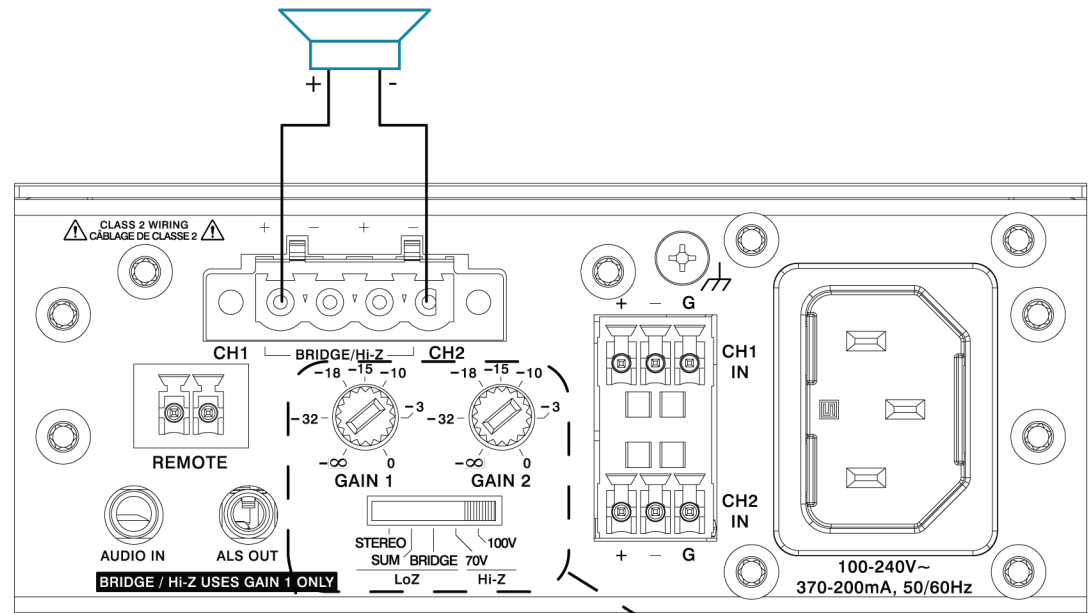
1 Channel up to 75 W Bridged Output (High Impedance)

Speaker Mode: 70V or 100V

GAIN 1: Set to optimize amplifier output levels.

NOTES:

- When speaker mode is set to **70V or 100V**, only **GAIN** control 1 is active. Inputs 1 and 2 are summed together.
- In **Hi-Z** mode, 75 W power can be output to a single run of high impedance speakers.



X-Series Amplifier, 75 W



Operation

Configuration

Each amplifier channel has its own gain control on the rear of the amplifier that can be adjusted to balance the sound between inputs or to accommodate different audio sources.

To configure a channel, a test signal must be sent to the amplifier while a flat screwdriver (not included) is used to adjust the amplifier's gain control (turn the gain control knob clockwise to increase the gain or counterclockwise to reduce the gain).

WARNING: This amplifier is capable of delivering high power to the loudspeakers. Please use caution and adequate ear protection if listening to content at high volume levels, as continued exposure to high sound pressure levels can cause permanent hearing impairment or loss.

1. Set the source's output signal level to maximum.
2. Set the amplifier's gain to the lowest setting (full counterclockwise).
3. Apply power to the amplifier.
4. Increase the amplifier's gain control until the desired volume level is reached in the audio playback zone.

NOTE: If clipping is exhibited in the playback audio, check the gain levels at the amplifier first. If the clipping is not remedied by adjusting the gain at the amplifier, troubleshoot at any other gain stage earlier in the audio chain.



Observe the LED Indicators

The LEDs on the front panel provide the following information:

LED Indicator	Color	Meaning
PWR	White	The amplifier is operating normally.
	Red	The amplifier has entered Standby (Power Saver) mode.
FAULT	Red	There is a fault (overcurrent, thermal) or limiting on the indicated channel.
SIGNAL	White	An audio signal is present on the indicated channel.
	RED	There is a clipping on the indicated channel.

X-Series Amplifier, 75 W



Important Instructions

Important Safety Instructions

WARNING: When using this product, basic precautions should always be followed, including the following:

1. Read these instructions carefully.
2. All cautions and warnings should be followed.
3. The equipment should only be used at maximum 40°C (104°F) ambient temperature.
4. Opening the equipment could result in electrical shock and should only be done by qualified service personnel.
5. Protect equipment from humidity.
6. Do not insert foreign objects or liquids into the openings, this could cause a fire or electrical shock.
7. Do not use chemical detergents to clean your device, use a soft dry cloth.
8. To avoid damage from electrical peaks unplug the device when it is not in use.
9. If one of the following situations arise, equipment has to be checked by qualified service personnel:
 - Liquid has penetrated into the equipment.
 - Equipment has been exposed to humidity.
 - Equipment has been dropped and/or is damaged.
 - Equipment has obvious sign of breakage.
 - Equipment does not work well or you cannot get it working according to user's manual.
10. Do not expose the equipment to water or place objects filled with water on top of it.



Instructions Importantes

Instructions de sécurité importantes

Les avertissements: concernant l'utilisation de ce produit doivent toujours être fondés sur les précautions fondamentales, notamment:

1. Lisez attentivement ces notes.
2. Tous les avertissements et avertissements doivent être respectés.
3. L'équipement ne peut être utilisé qu' à une température ambiante maximale de 40 °C (104 °F).
4. L'ouverture de l'appareil peut provoquer un choc électrique qui ne peut être assuré que par un personnel d'entretien qualifié.
5. Empêcher l'humidité du dispositif.
6. Il est interdit d'introduire des objets étrangers ou liquides dans l'ouverture, faute de quoi cela pourrait provoquer un incendie ou un choc électrique.
7. Ne pas utiliser d'appareil de nettoyage chimique et utiliser un tissu sec souple.
8. Pour éviter les dommages de crête électrique, retirez la fiche d'alimentation lorsque le dispositif n'est pas utilisé.
9. Dans l'un des cas énoncés ci dessous, le matériel doit être vérifié par un service qualifié:
 - Dispositif d'infiltration de liquide.
 - L'équipement est exposé à l'humidité.
 - Matériel tombé et / ou endommagé.
 - L'équipement a été endommagé.
 - Le matériel ne fonctionne pas correctement ou ne peut pas être utilisé conformément au Manuel de l'utilisateur.

X-Series Amplifier, 75 W

10. L'équipement ne doit pas être exposé à l'eau ni être placé sur des objets remplis d'eau.

Product Label

The product label is located on the bottom of the device. It displays SKU, ratings, and compliance related information.



Visit the Product Page

Scan the QR code to visit the product page.

AMP-X75



www.crestron.com/model/6511136

X-Series Amplifier, 75 W

Additional Information

Original Instructions

The U.S. English version of this document is the original instructions. All other languages are a translation of the original instructions.

Regulatory Model: M201929003

Crestron product development software is licensed to Crestron dealers and Crestron Service Providers (CSPs) under a limited nonexclusive, nontransferable Software Development Tools License Agreement. Crestron product operating system software is licensed to Crestron dealers, CSPs, and end-users under a separate End-User License Agreement. Both of these Agreements can be found on the Crestron website at www.crestron.com/legal/software_license_agreement.

The product warranty can be found at www.crestron.com/warranty.

The specific patents that cover Crestron products are listed at www.crestron.com/legal/patents.

Certain Crestron products contain open source software. For specific information, visit www.crestron.com/opensource.

Crestron and the Crestron logo are either trademarks or registered trademarks of Crestron Electronics, Inc. in the United States and/or other countries. Other trademarks, registered trademarks, and trade names may be used in this document to refer to either the entities claiming the marks and names or their products. Crestron disclaims any proprietary interest in the marks and names of others. Crestron is not responsible for errors in typography or photography.

©2021 Crestron Electronics, Inc.

Doc. 8873A

09/15/21