

CBLRA-INSERT

Spacer Inserts for Cable Retractor Mounting Brackets

These accessories are designed for use with Crestron® Cable Retractor Mounting Brackets, models [CBLRA-BRKT-3-FT](#), [CBLRA-BRKT-4-FT](#), and [CBLRAI-BRKT-4-FT](#). One spacer insert is required to fill each unused cable retractor space.

Two spacer insert models are offered. The blank spacer insert (CBLRA-INSERT-BLANK) is designed to fill the unused space with a solid metal cover. The 2-wire spacer insert (CBLRA-INSERT-2WIRE) is similar, but provides two grommets to accommodate additional non-retracting cables.

Please refer to the [CBLR Cable Retractors spec sheet](#) for additional information.

SPECIFICATIONS

Construction

Metal, black

Dimensions

Height: 3.35 in (86 mm)

Width: 1.14 in (29 mm)

Depth: 1.65 in (42 mm)

Weight

2.4 oz (68 g)

MODELS & ACCESSORIES

Available Models

CBLRA-INSERT-BLANK: Blank Spacer Insert for Cable Retractor Mounting Brackets

CBLRA-INSERT-2WIRE: 2-Wire Spacer Insert for Cable Retractor Mounting Brackets

Notes:

This product may be purchased from an authorized Crestron dealer. To find a dealer, please contact the Crestron sales representative for your area. A list of sales representatives is available online at www.crestron.com/salesreps or by calling 800-237-2041.

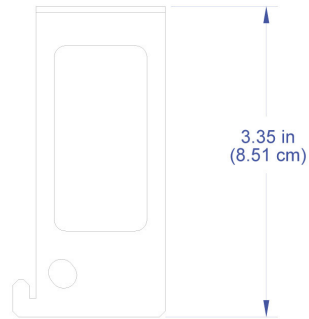
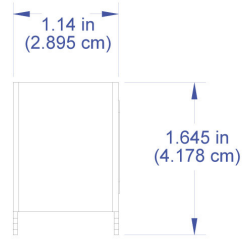
The specific patents that cover Crestron products are listed online at: patents.crestron.com.

Crestron and the Crestron logo are either trademarks or registered trademarks of Crestron Electronics, Inc. in the United States and/or other countries. Other trademarks, registered trademarks, and trade names may be used in this document to refer to either the entities claiming the marks and names or their products. Crestron disclaims any proprietary interest in the marks and names of others. Crestron is not responsible for errors in typography or photography. Specifications are subject to change without notice. ©2014 Crestron Electronics, Inc.

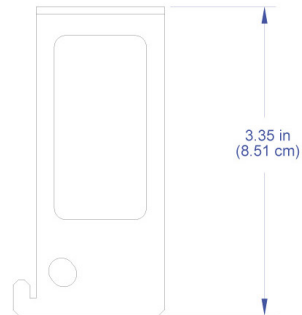
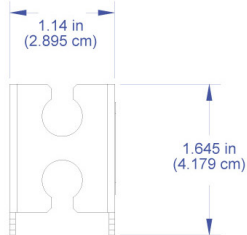


CBLRA-INSERT

Spacer Inserts for Cable Retractor Mounting Brackets



CBLRA-INSERT-BLANK



CBLRA-INSERT-2WIRE