

# CCS-UC-ZOOM-CAM

## Crestron® Zoom Rooms™ Basic Package with Huddly GO™ Camera

- > A complete Zoom Rooms conferencing and collaboration solution
- > Designed for conference rooms with up to ten people at a table
- > High-performance 360° microphone, speaker, and control panel in one device
- > 7" (178 mm) HD color touch screen with embedded Zoom Rooms app
- > High-definition USB room camera
- > Mini PC with Zoom Rooms software
- > Dual video outputs for up to two room displays
- > Exceptional full-duplex audio performance
- > Extremely natural 2-way wideband voice quality
- > Integrated 360° quad microphone array
- > High-powered full-range speaker
- > Limes Audio TrueVoice™ AEC technology
- > High-visibility mic mute indication
- > Available add-on mic pods for extra coverage
- > Cloud-based provisioning (coming soon)
- > Enterprise-grade security
- > PoE+ or AC line powered
- > 100-240V universal power pack included
- > Installation cables included



A Crestron Zoom Rooms solution brings together all the features and user-friendliness of a Zoom Rooms solution with the secure enterprise integration capabilities of Crestron. Cloud-based provisioning (coming soon) affords simplified, zero-touch configuration and updates for any number of rooms across an enterprise network.

The Crestron® Zoom Rooms Basic Package with Huddly GO camera (**CCS-UC-ZOOM-CAM**) combines the **Crestron Mercury®** Tabletop Conference System with **Zoom Rooms** software to deliver a complete collaboration-enabled videoconferencing solution for enterprises that use the Zoom™ conferencing service. Just add one or two video displays. Everything else is included.

A Crestron Zoom Rooms solution employs one handsome tabletop device to replace the individual speaker, microphone, and tablet components of a typical Zoom Rooms setup. The Crestron Mercury device (**CCS-UC-1**) serves as a high-performance conferencing speakerphone and touch screen control panel running the Zoom Rooms app. Its 7" color touch screen delivers the same user-friendly Zoom Rooms experience as a typical tablet, but without the risk of misplacing the device. Instead of Wi-Fi®, Crestron Mercury uses wired Ethernet and USB connections to ensure reliable connectivity at all times.

The Crestron Zoom Rooms Basic Package includes an Intel® NUC mini PC, which installs behind the room display(s) and comes preloaded with Zoom Rooms software. A high-definition camera is also included, along with a complete set of installation cables to accommodate a typical huddle room or small conference room application. Easy setup is accomplished using the included USB flash drive and wireless keyboard with touchpad.

*Note: When configured for a Zoom Rooms application, the CCS-UC-1 operates full-time in Zoom Rooms mode. It cannot switch modes. In Zoom Rooms mode, certain features and functions of Crestron Mercury (audio or video conferencing, multimedia presentation, content sharing, welcome screens and notifications, calendaring, occupancy sensing, usage monitoring) are disabled and supplanted by the features and functions of the Zoom Rooms software and/or additional Crestron equipment. Contact the Crestron True Blue support team at <http://www.crestron.com/support> for assistance with your system design.*



### SPECIFICATIONS

#### Included Components

---

- Qty. 1 **CCS-UC-1 W/PS KIT** 360° conferencing speakerphone and touch screen control panel with embedded Zoom Rooms app
- Qty. 1 **CCS-UCA-ZOOM-CPU** Intel® NUC Kit, model NUC5i7RYH, with Zoom Rooms software
- Qty. 1 **CCS-UCA-KB-USB** Wireless keyboard with touchpad (for setup)
- Qty. 1 **CCS-UCA-MEM-USB** USB flash drive (for setup)
- Qty. 1 **CCS-CAM-USB-F-300** HD Camera with integral USB cable, Type A male, 6 ft (1.83 m)
- Qty. 1 **CBL-USB-A-EXT-15**: USB Extension Cable, Type A Male-to-Female, 15 ft (4.57 m) (Qty. 1 included)
- Qty. 1 **DM-CBL-ULTRA-PC-5** Ethernet LAN cable, RJ45 male-to-male, 5 ft (1.52 m), connects NUC to LAN
- Qty. 1 **PW-2420RU** Universal power pack for CCS-UC-1

#### Communications – CCS-UC-1

---

**Ethernet:** 10/100 Mbps, auto-switching, auto-negotiating, auto-discovery, full/half duplex, TCP/IP, UDP/IP, DHCP, TLS, SSH, SFTP (SSH File Transfer Protocol), IEEE 802.1X, Active Directory authentication, digest access authentication, password login, HTTPS secure provisioning, IEEE 802.3at Type 2 compliant

**USB Device:** USB 2.0 wired interface for connection to NUC

**USB Host:** USB 2.0 for commissioning

**Mic Pod:** A<sup>2</sup>B bus protocol, single master, multiple slave; synchronous data, multichannel I2S/TDM to I2S/TDM

#### Communications – NUC

---

**Ethernet:** 10/100/1000 Mbps

**Wi-Fi:** IEEE 802.11ac

**Bluetooth®:** Bluetooth 4.0

**USB Host:** USB 3.0

**HDMI:** HDMI 1.4a

**DisplayPort:** DisplayPort Version 1.2

*Note: Refer to the Zoom website for additional software-based capabilities and specifications.*

#### Audio – CCS-UC-1

---

**AEC:** Limes Audio TrueVoice acoustic echo cancellation, automatic mic mixing, automatic gain control, and dynamic noise reduction; full-duplex IEEE 1329 Type 1 compliant

**Microphones:** Quad mic array with (4) cardioid electret elements;

**Pickup Range:** 20 ft (6 m) typical

**Speaker:** Full range speaker;

**Amplifier Power:** 11 Watts maximum;

**Output Volume:** 95 dB SPL at 0.5 m;

**Frequency Response:** 90 Hz to 22 kHz

#### Video – NUC

---

**Camera Signal Type:** USB

**Display Output Signal Types:** HDMI, DisplayPort

#### Touch Screen – CCS-UC-1

---

**Display Type:** TFT active matrix color LCD

**Size:** 7 inch (178 mm) diagonal

**Aspect Ratio:** 16:9 HD 720

**Resolution:** 1280 x 720 pixel

**Touch Screen:** Capacitive, multi-touch capable

#### Buttons & Indicators – CCS-UC-1

---

**Mic Mute Symbol & Light Bar:** (2) Capacitive “buttons” with bi-color LEDs, either button toggles between mute and unmute, the symbol LED blinks green when the unit is powering up, all LEDs illuminate red when the mic is muted, all LEDs illuminate green when the mic is unmuted

#### Connectors – CCS-UC-1

---

*Note: Unused connectors are not listed*

**G:** (1) 6-32 screw;

Chassis ground lug

**LAN:** (1) 8-pin RJ45 connector, female;

10Base-T/100Base-TX Ethernet port;

PoE+ PD port

**USB B:** (1) Micro-USB Type B connector, female;

USB 2.0 device port;

Connects to NUC

**MIC POD 1 – 2:** (2) RJ9 4P4C connector, female;

For connection of up to two CCS-UCA-MIC microphone pods (sold separately)

**USB/ACC:** (1) USB Type A connector, female;

USB 2.0 host port;

For setup using included USB flash drive

**24V DC 2.5A:** (1) 2.1 x 5.5 mm DC power connector;

24 Volt DC power input for universal power pack

#### Connectors – NUC

---

**USB:** (4) USB Type A connectors, female;

USB 3.0 host ports

**19VDC:** (1) DC power connector;

19 Volt DC power input for AC-DC power adapter

**DP:** (1) Mini DisplayPort connector, female

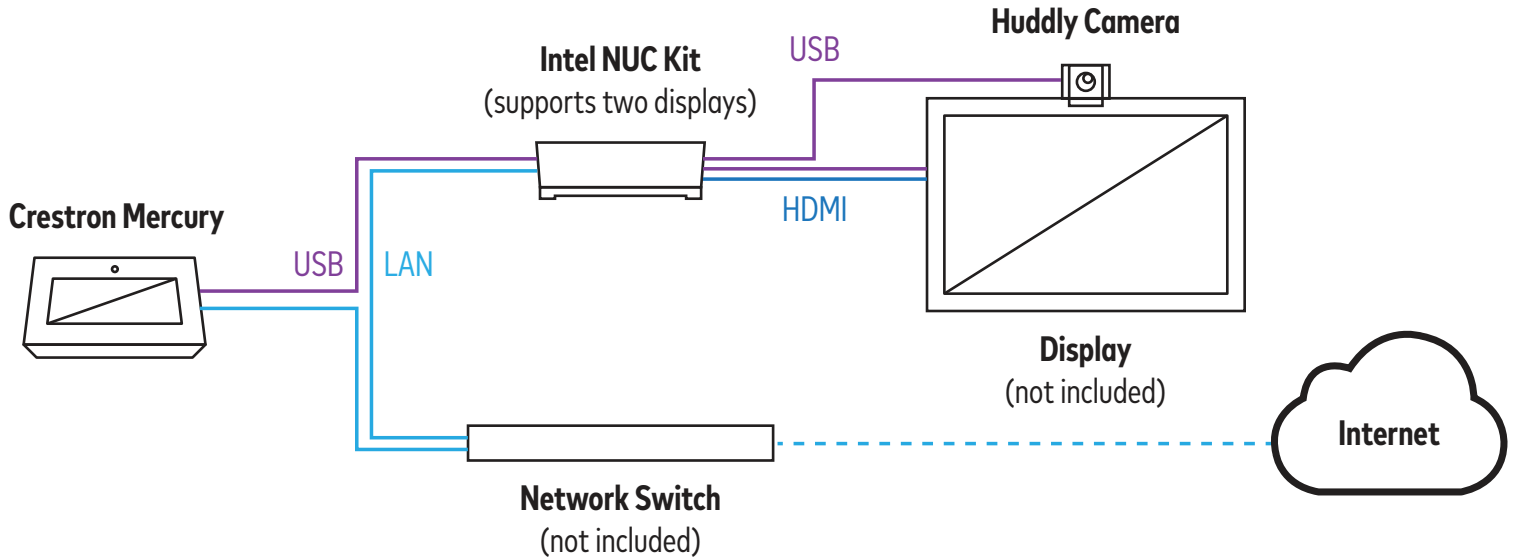
Mini DisplayPort video output

**LAN:** (1) 8-pin RJ45 connector, female;

Gigabit Ethernet port

**HDMI:** (1) HDMI Type C connector, female;

Mini HDMI video output



## Power – CCS-UC-1

**Power Pack (included):** Input: 100-240 Volts AC, 50/60 Hz;  
Output: 2.5 Amps @ 24 Volts DC;  
Model: PW-2420RU

**Power over Ethernet:** IEEE 802.3at Type 2, Class 4 (25.5 W) PoE+ Powered Device

**Power consumption:** 20 Watts (typical)

## Power – NUC

**Power Adapter (included):** Input: 100-240 Volts AC, 50/60 Hz;  
Output: 65 Watts @ 19 Volts DC

## Environmental – CCS-UC-1

**Operational Temperature:** 32° to 95° F (0° to 35° C)  
**Storage Temperature:** -4° to 160° F (-20° to 70° C)  
**Humidity:** 5% to 95% RH (non-condensing)  
**Heat Dissipation:** 123 BTU/hr (typical)

## Environmental – NUC

**Operational Temperature:** 32° to 104° F (0° to 40° C)  
**Storage Temperature:** -4° to 140° F (-20° to 60° C)

## Dimensions

**CCS-UC-1:** Height: 4.11 in (105 mm);  
Width: 8.92 in (227 mm);  
Depth: 12.74 in (324 mm)

**NUC:** Height: 1.92 in (49 mm);  
Width: 4.53 in (115 mm);  
Depth: 4.37 in (111 mm)

## Weight

**CCS-UC-1:** 5.5 lb (2.5 kg)

## Compliance

**CCS-UC-1:** UL 60950-1, FCC Part 15 Class A, Japan MIC/VCCI Class A, ICES-003 Issue 5 Class A, EN55022:2010 Class A, AS/NZS CISPR22:2010 Class A, VCCI Class A, EN55024:2010, EN61000-3-2:2014, EN61000-3-3:2013, EN60950-1:2006, EN60950-A2:2013, EN60950-A11:2009, EN60950-A1:2010, EN60950-A12:2011, FCC 15.247, RSS 210 Issue 8, RSS Gen Issue 4, ETSI EN 301 489-1, ETSI EN 301 489-17, AS/NZS 4268:2012, NZ Telepermit, Australia A&C Tick, RoHS compliant

**NUC:** IEC 60950-1, UL 60950-1, EN 60950-1, CAN/CSA-C22.2 No. 60950-1, CISPR 22, FCC CFR Title 47 Chapter 1 Part 15 Subparts A&B, ICES-003, EN 55022, EN 55024, VCCI V-3 & V-4, KN-22, KN-24, CNS 13438, RoHS Directive 2011/65/EU, WEEE Directive 2002/96/EC, China RoHS Mill Order #39

### MODELS & ACCESSORIES

#### Available Models

---

**CCS-UC-ZOOM-CAM with Huddly GO:** Crestron® Zoom Rooms Basic Package with Huddly GO Camera

#### Included Accessories

---

**CCS-UC-1 W/PS KIT:** Crestron Mercury® Tabletop Conference System w/Universal Power Pack (Qty. 1 included)  
**CCS-UCA-ZOOM-CPU:** Intel® NUC Kit, model NUC5i7RYH, with Zoom Rooms Software (Qty. 1 included)  
**CCS-UCA-KB-USB:** Wireless Keyboard w/Touchpad (Qty. 1 included)  
**CCS-UCA-MEM-USB:** USB Flash Drive for CCS-UC-ZOOM (Qty. 1 included)  
**CCS-CAM-USB-F-300:** Huddly GO Camera (Qty. 1 included)  
**CBL-USB-A-EXT-15:** USB Extension Cable, Type A Male-to-Female, 15 ft (4.57 m) (Qty. 1 included)  
**DM-CBL-ULTRA-PC-5:** DigitalMedia™ Ultra Patch Cable, 5 ft (1.5 m) (Qty. 1 included)  
**PW-2420RU:** Universal power pack for CCS-UC-1

#### Available Accessories

---

**CCS-UCA-SMK:** Swivel Mount Kit  
**CCS-UCA-MIC:** Microphone Pods for CCS-UC-1  
**CEN-SWPOE-16:** 16-Port Managed PoE Switch

Note: When used without any microphone pods connected, the CCS-UC-1 may be powered using either PoE+ or the included power pack (model PW-2420RU). If one or two mic pods are connected, the CCS-UC-1 MUST be powered using the power pack. PoE+ cannot be used to power the CCS-UC-1 if any mic pods are connected. When using PoE+, make sure the network switch supports PoE+ (802.3at Type 2). Regular PoE (802.3af or 802.3at Type 1) cannot be used to power the CCS-UC-1. Crestron recommends using the [CEN-SWPOE-16](#) 16-port switch, which supports PoE+. Please be aware, the CEN-SW-POE-5 5-port switch does NOT support PoE+ and cannot be used to power the CCS-UC-1.

This product may be purchased from an authorized Crestron dealer or distributor. To find a dealer or distributor, please contact the Crestron sales representative for your area. A list of sales representatives is available online at [www.crestron.com/salesreps](http://www.crestron.com/salesreps) or by calling 800-237-2041.

The specific patents that cover Crestron products are listed online at: [patents.crestron.com](http://patents.crestron.com).

Certain Crestron products contain open source software. For specific information, please visit [www.crestron.com/opensource](http://www.crestron.com/opensource).

Crestron, the Crestron logo, Crestron Mercury, and DigitalMedia are either trademarks or registered trademarks of Crestron Electronics, Inc. in the United States and/or other countries. Bluetooth is either a trademark or registered trademark of Bluetooth SIG, Inc. in the United States and/or other countries. Intel is either a trademark or registered trademark of Intel Corporation in the United States and/or other countries. HDMI and the HDMI Logo are either trademarks or registered trademarks of HDMI Licensing LLC in the United States and/or other countries. Huddly GO is either a trademark or a registered trademark of Huddly AS in the United States and/or other countries. TrueVoice is either a trademark or registered trademark of Limes Audio AB in the United States and/or other countries. Logitech is either a trademark or registered trademark of Logitech International SA in the United States and/or other countries. Wi-Fi is either a trademark or registered trademark of Wi-Fi Alliance in the United States and/or other countries. Other trademarks, registered trademarks, and trade names may be used in this document to refer to either the entities claiming the marks and names or their products. Crestron disclaims any proprietary interest in the marks and names of others. Crestron is not responsible for errors in typography or photography. Specifications are subject to change without notice.  
©2018 Crestron Electronics, Inc.