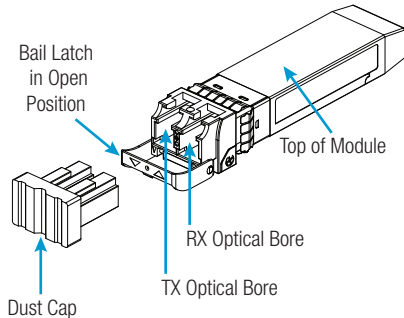


SFP-10G Series 10G SFP+ Transceiver Modules

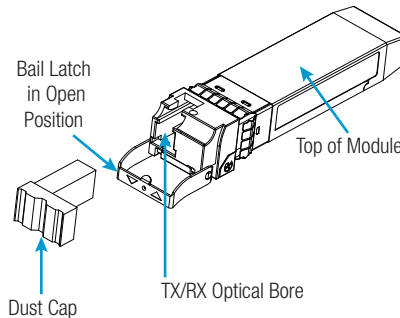
DO Install the Module

An SFP+ (enhanced small form-factor pluggable) transceiver module plugs into the SFP+ cage of a Crestron® device.

SFP+ Module with Dual LC Connectors



SFP+ Module with Single LC Connector



CAUTION: Observe electrostatic discharge (ESD) precautions when handling SFP+ transceiver modules. Always wear a wrist strap that connects to an approved grounding source when installing or coming into contact with the modules.

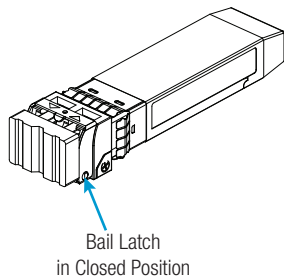
CAUTION: To prevent damage to an SFP+ module and to any connected cables, disconnect all cables before installing or removing a module.

NOTE: An SFP+ module is a hot-swappable input/output (I/O) device; therefore, there is no need to power down a Crestron device when installing or removing a module.

To install an SFP+ module into an SFP+ cage, do the following:

NOTE: Do not remove the dust cap from the SFP+ module until directed to do so in the following procedure. In addition, always keep the dust caps on the fiber-optic cable connectors until ready to make a connection.

1. Verify that the bail latch is closed.



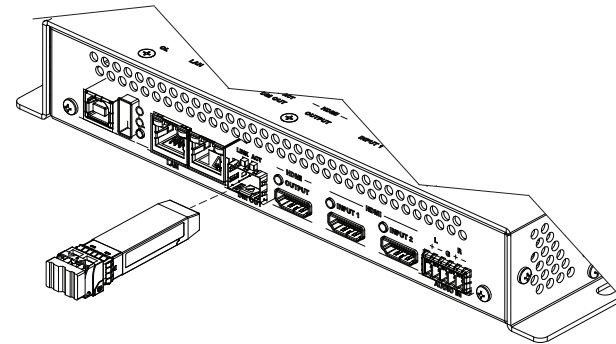
DO Check the Box

| QTY | PRODUCT | PART NUM. |
|---|----------------------|-----------|
| SFP-10G-S-U and SFP-10G-S-D Only | | |
| 1 | Patch Cord, LC-to-SC | 2047106 |
| 1 | Adapter, SC-to-SC | 2047107 |
| SFP-10G-S-U-10 and SFP-10G-S-D-10 Only | | |
| 10 | Patch Cord, LC-to-SC | 2047106 |
| 10 | Adapter, SC-to-SC | 2047107 |

Not Included: Wrist Strap, Antistatic Mat or Foam, Fiber-Optic Endface Cleaning Tools and Inspection Equipment

2. Insert the module into the SFP+ cage by doing the following:

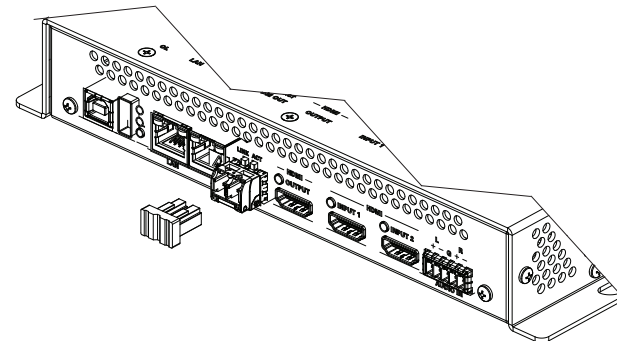
- a. Verify that the top of the module is visible.
- b. With the dust cap facing you, insert the module into the SFP+ cage until the module latches into place.



3. Remove the dust caps from the LC connectors on one end of the fiber-optic cable (patch cord included with the SFP-10-G-S-U, SFP-10-G-S-D, SFP-10G-S-U-10, and SFP-10G-S-D-10). Save the dust caps for future use.

NOTE: Depending on the fiber-optic cable being used, the cable provides single or dual LC connectors. The included patch cord provides a single LC connector on one end.

4. Inspect and clean the fiber-optic endfaces of the LC connectors.
5. Remove the dust cap from the SFP+ module. Save the dust cap for future use.



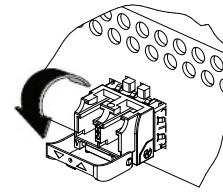
6. Connect the single LC connector or dual LC connectors of the fiber-optic cable to the appropriate SFP+ module.
7. (SFP-10G-S-U, SFP-10G-S-D, SFP-10G-S-U-10, and SFP-10G-S-D-10 only) Do the following:
 - a. Remove a dust cap from one end of the included SC-to-SC adapter. Save the dust cap for future use.
 - b. Connect the adapter to the included patch cord.
 - c. Remove the dust cap from the other end of the adapter. Save the dust cap for future use.
 - d. Connect the adapter to the existing CresFiber® 8G fiber-optic cable.

To remove an SFP+ module from an SFP+ cage, do the following:

1. Disconnect the single LC cable connector or dual LC cable connectors from the SFP+ module.
2. Reinstall the dust cap onto each LC cable connector.
3. (SFP-10G-S-U, SFP-10G-S-D, SFP-10G-S-U-10, and SFP-10G-S-D-10 only) Do the following:
 - a. Disconnect the SC-to-SC adapter from the patch cord.
 - b. Reinstall the dust caps on each end of the adapter and on the SC connectors of the patch cord.

4. Remove the SFP+ module from the SFP+ cage by doing the following:

- a. Open the bail latch by pulling it outward and downward.



- b. Grasp the SFP+ module, and then carefully remove the module from the SFP+ cage.

5. Close the bail latch.

6. Reinstall the dust cap into the optical bores of the SFP+ module.

DO Learn More

Visit the website for additional information and the latest firmware updates. To learn more about this product, use a QR reader application on your mobile device to scan the QR image.

Crestron Electronics
 15 Volvo Drive, Rockleigh, NJ 07647
 888.CRESTRON | www.crestron.com



As of the date of manufacture, the product has been tested and found to comply with specifications for CE marking.



This product is a Recognized Component to applicable UL Standards and requirements by Underwriters Laboratories Inc.

Federal Communications Commission (FCC) Compliance Statement

This device complies with part 15 of the FCC Rules. Operation is subject to the following two conditions:

(1) This device may not cause harmful interference, and (2) this device must accept any interference received, including interference that may cause undesired operation.

CAUTION: Changes or modifications not expressly approved by the manufacturer responsible for compliance could void the user's authority to operate the equipment.

NOTE: This equipment has been tested and found to comply with the limits for a Class B digital device, pursuant to part 15 of the FCC Rules. These limits are designed to provide reasonable protection against harmful interference in a residential installation. This equipment generates, uses and can radiate radio frequency energy and, if not installed and used in accordance with the instructions, may cause harmful interference to radio communications. However, there is no guarantee that interference will not occur in a particular installation.

If this equipment does cause harmful interference to radio or television reception, which can be determined by turning the equipment off and on, the user is encouraged to try to correct the interference by one or more of the following measures:

- Reorient or relocate the receiving antenna.
- Increase the separation between the equipment and receiver.

- Connect the equipment into an outlet on a circuit different from that to which the receiver is connected.
- Consult the dealer or an experienced radio/TV technician for help.

Industry Canada (IC) Compliance Statement

CAN ICES-3(B)/NMB-3(B)



The products are Class 1 laser products. They comply with safety regulations of IEC-60825-1, FDA 21 CFR 1040.11 and FDA 21 CFR 1040.10.

WARNING: Visible and invisible laser radiation when open. Avoid direct exposure to beam.

NOTE: Plug the included dust cap into the optical transceiver when the fiber-optic cable is unplugged.

The specific patents that cover Crestron products are listed at <http://www.crestron.com/legal/patents>.

The product warranty can be found at www.crestron.com/warranty.

Certain Crestron products contain open source software. For specific information, please visit www.crestron.com/opensource.

Crestron, the Crestron logo, and CresFiber are either trademarks or registered trademarks of Crestron Electronics, Inc. in the United States and/or other countries. UL and the UL logo are either trademarks or registered trademarks of Underwriters Laboratories, Inc. in the United States and/or other countries. Other trademarks, registered trademarks, and trade names may be used in this document to refer to either the entities claiming the marks and names or their products. Crestron disclaims any proprietary interest in the marks and names of others. Crestron is not responsible for errors in typography or photography.

This document was written by the Technical Publications department at Crestron.

©2016 Crestron Electronics, Inc.