

CEN(I)-AVF-HUB .AV Framework™ Hub

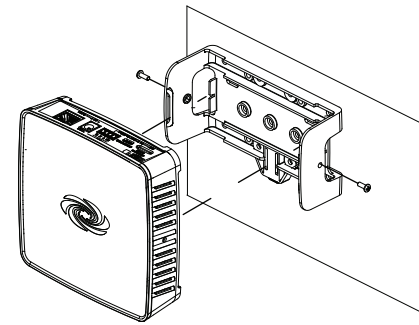
The CEN-AVF-HUB and CENI-AVF-HUB are functionally identical. For simplicity within this guide, the term “CEN-AVF-HUB” is used.

DO Install the Device

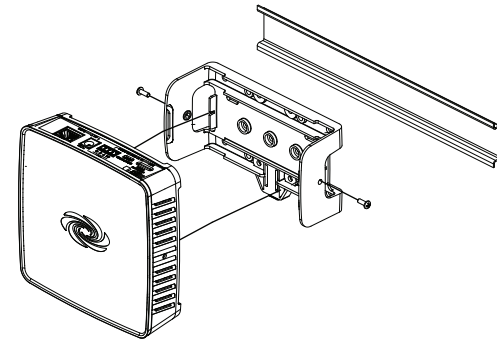
The Crestron® CEN-AVF-HUB can be mounted onto a DIN rail, mounted to any flat surface, or placed on a tabletop. If necessary, use screws that are applicable for the mounting method. See the diagrams below for installation options.

NOTE: The CEN-AVF-HUB can also be rack mounted. For rack mount installation, refer to the RMK-IFE-1U Installation Guide (Doc. 7627) at www.crestron.com/manuals.

Flat Surface Mounting



Din Rail Mounting

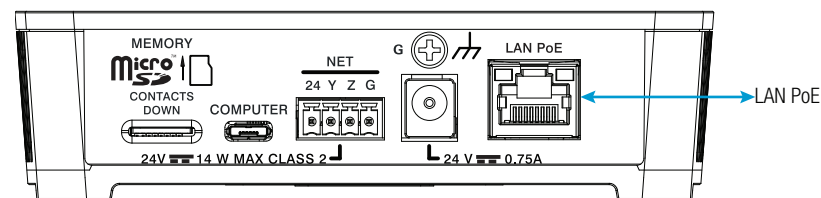


NOTE: Do not use the supplied screws to mount the bracket to the bottom of the CEN-AVF-HUB if the device will be mounted on a DIN rail. Removing the CEN-AVF-HUB from the DIN rail is not possible.

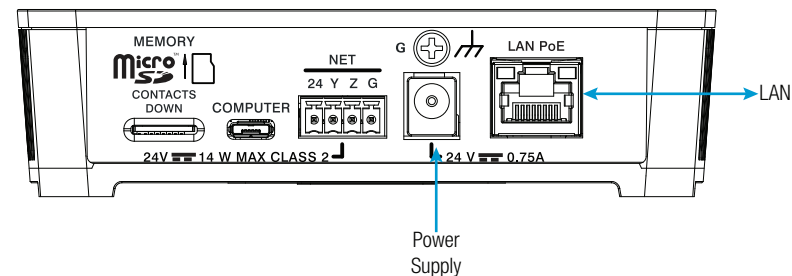
DO Connect the Device

On the CEN-AVF-HUB, connect the Power over Ethernet (PoE) port to a PoE injector or a LAN connection that supplies Power over Ethernet. If desired, connect a power supply (sold separately) to the CEN-AVF-HUB and then to an electrical outlet. See below for connection ports.

Wire with PoE



Wire with Optional Power Supply



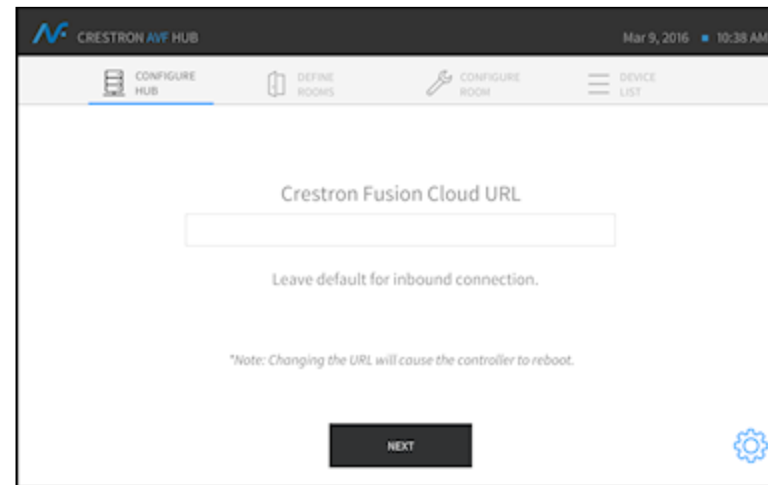
DO Check the Box

QUANTITY	PRODUCT	COLOR	PART NUMBER
1	Bracket, Mounting, Integrated DIN Rail Clip	Black	4519035
1	Cable, Ethernet, CAT5e, 5' (1.52 m)	Black	2022311
1	Connector, 4-Pin		2003576
2	Screw, 6-32 x 3/8", Pan Head, Phillips	Black	2007225

DO Configure the Device

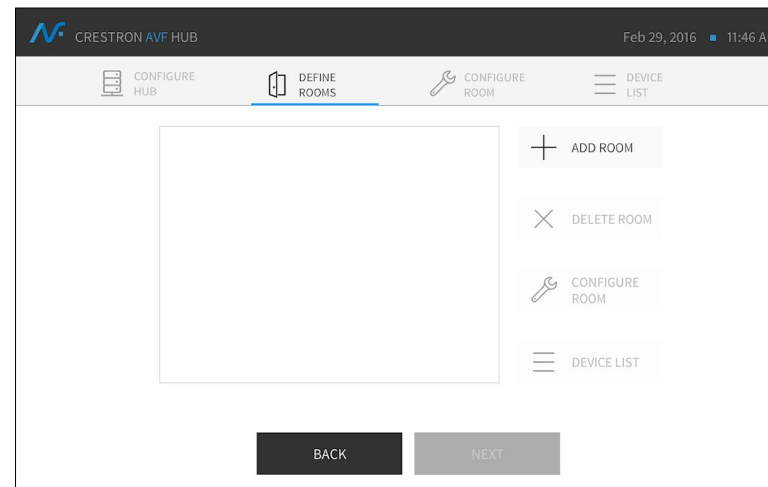
Once all connections have been made, the CEN-AVF-HUB is configured with the built-in, web-based setup tool.

1. Use a web browser to navigate to <http://hostname> where *hostname* is the host name or IP address of the CEN-AVF-HUB. The host name for the CEN-AVF-HUB is CEN-AV- plus the last eight characters of the MAC address. The MAC address can be found on the label located on the bottom of the CEN-AVF-HUB. For example, the host name of a CEN-AVF-HUB with the MAC address 00107F2ED7CB is CEN-AV-7F2ED7CB. Once the device is connected, the CONFIGURE HUB screen is displayed.



2. Enter the IP address or host name of the cloud-based or local Crestron Fusion® server. If this field is left blank, the Crestron Fusion server must be pointed to the CEN-AVF-HUB to retrieve its configuration (RV) file.

Click to view or change the device's Ethernet settings, configure the automatic update feature, or view information about the CEN-AVF-HUB.



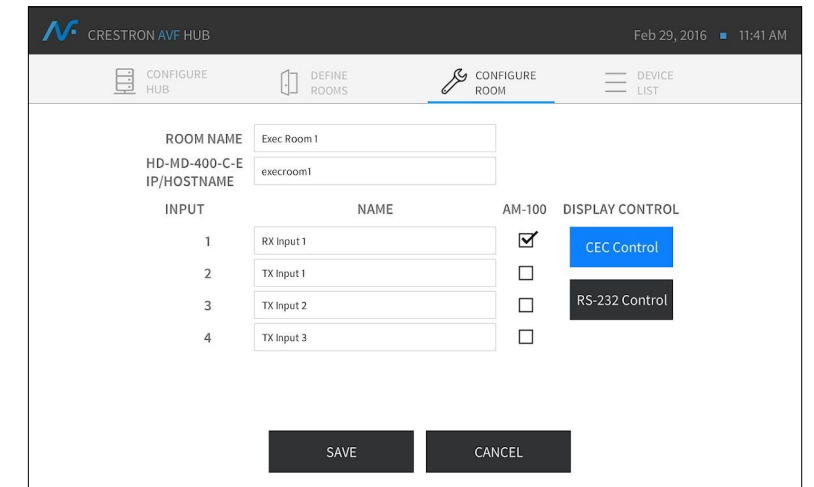
NOTE: Changing the IP address or host name causes the CEN-AVF-HUB to reboot.

3. Click **NEXT**. The DEFINE ROOMS screen is displayed.

4. Use the DEFINE ROOMS screen to add a room, change an existing room's configuration, or delete a room.

- Add a Room

- a. Click **ADD ROOM**.



- b. Enter a name for the room in the **ROOM NAME** field.

- c. Enter the IP address or host name of the HD-MD-400-C-E installed in the room in the **HD-MD-400-C-E IP/HOSTNAME** field.

- d. Enter the names to be used for the receiver and transmitter inputs in the **NAME** field.

The CEN-AVF-HUB currently supports the AM-101 AirMedia® Presentation Gateway, the HD-MD400-C-E HD Scaling Presentation Switcher & Extender 400, and any CEC or RS-232 controlled display device.

If an input name represents a connection to an AM-101, check the box next to the input name.

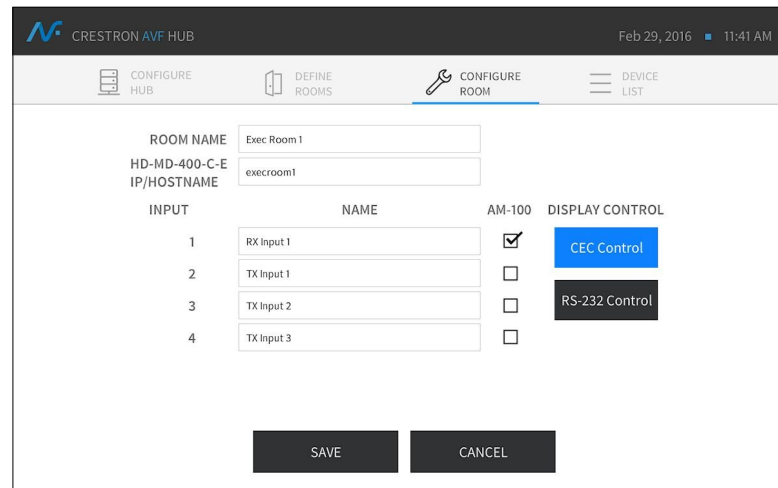
NOTE: Only one input can be associated with an AM-101.

- e. Use the mouse to select **CEC Control** or **RS-232 Control**. If RS-232 control is selected, enter the Power On command and the Power Off command in the respective fields, and click **RS-232 Configuration** to configure RS-232 communications.

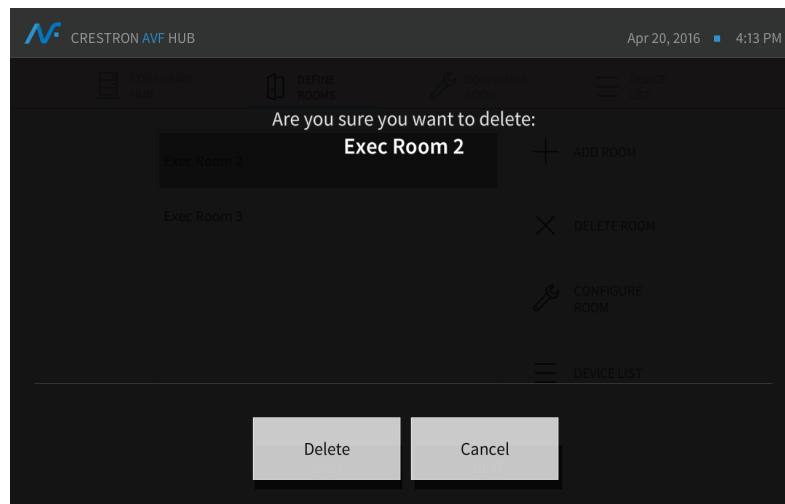
- f. Click **SAVE** to save the room settings and return to the DEFINE ROOMS screen, or click **CANCEL** to cancel.



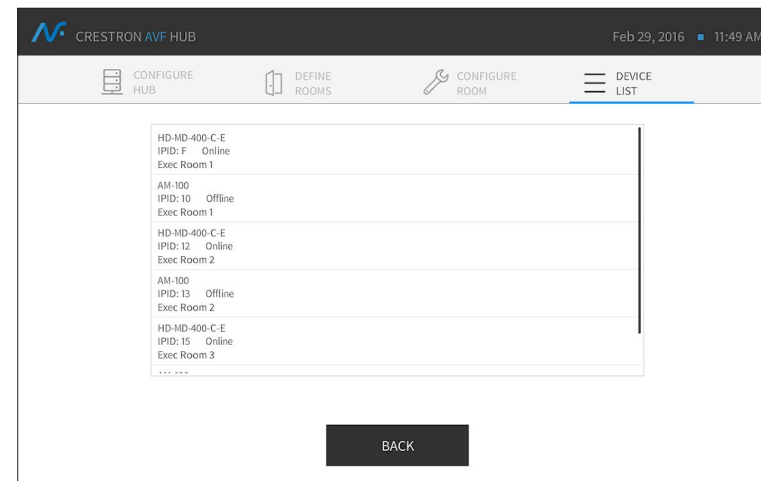
- Configure a Room
 - a. Click a room name and click **CONFIGURE ROOM**.



- b. Make any required changes to the room's settings.
 - c. Click **SAVE** to save the changes or click **CANCEL** to cancel.
- Delete a Room
 - a. Click the room and click **DELETE ROOM**. A screen is displayed confirming the room deletion.
 - b. Click **Delete** to delete the room or click **Cancel** to cancel.



5. Click **DEVICE LIST** to view the list of devices attached to the CEN-AVF-HUB.



DO Upload the Configuration

If a Crestron Fusion server is specified on the CONFIGURE HUB screen, Crestron Fusion software automatically receives the CEN-AVF-HUB's configuration file from the CEN-AVF-HUB. If a server is not specified, Crestron Fusion software must be used to retrieve the configuration file from the CEN-AVF-HUB.

DO Learn More

Visit the website for additional information and the latest firmware updates. To learn more about this product, use a QR reader application on your mobile device to scan the QR image.

Crestron Electronics
15 Volvo Drive, Rockleigh, NJ 07647
888.CRESTRON | www.crestron.com



As of the date of manufacture, the product has been tested and found to comply with specifications for CE marking.

Regulatory Compliance

This product is Listed to applicable UL® Standards and requirements by Underwriters Laboratories Inc.
Conformité Réglementaire
Ce produit est homologué selon les normes et les exigences UL applicables par Underwriters Laboratories Inc.

This unit is for in-house use only, not for outside of building.
Cet appareil est destiné pour utilisation dans la maison seulement, pas pour l'extérieur du bâtiment.

Federal Communications Commission (FCC) Compliance Statement

This device complies with part 15 of the FCC Rules. Operation is subject to the following two conditions:

(1) This device may not cause harmful interference, and (2) this device must accept any interference received, including interference that may cause undesired operation.

CAUTION: Changes or modifications not expressly approved by the manufacturer responsible for compliance could void the user's authority to operate the equipment.

NOTE: This equipment has been tested and found to comply with the limits for a Class B digital device, pursuant to part 15 of the FCC Rules. These limits are designed to provide reasonable protection against harmful interference in a residential installation. This equipment generates, uses and can radiate radio frequency energy and, if not installed and used in accordance with the instructions, may cause harmful interference to radio communications. However, there is no guarantee that interference will not occur in a particular installation.

If this equipment does cause harmful interference to radio or television reception, which can be determined by turning the equipment off and on, the user is encouraged to try to correct the interference by one or more of the following measures:

- Reorient or relocate the receiving antenna.
- Increase the separation between the equipment and receiver.

- Connect the equipment into an outlet on a circuit different from that to which the receiver is connected.
- Consult the dealer or an experienced radio/TV technician for help.

Industry Canada (IC) Compliance Statement

CAN ICES-3(B)/NMB-3(B)



WARNING: DO NOT INGEST BATTERY, CHEMICAL BURN HAZARD



This product contains a coin cell/battery. If the coin/button cell battery is swallowed, it can cause severe internal burns in just 2 hours and can lead to death. Keep new and used batteries away from children. If the battery compartment does not close securely, stop using the product and keep it away from children. If you think batteries have been swallowed or placed inside any part of the body, seek immediate medical attention.

Crestron product development software is licensed to Crestron dealers and Crestron Service Providers (CSPs) under a limited non-exclusive, non-transferable Software Development Tools License Agreement. Crestron product operating system software is licensed to Crestron dealers, CSPs, and end-users under a separate End-User License Agreement. Both of these Agreements can be found on the Crestron website at www.crestron.com/legal/software_license_agreement.

The specific patents that cover Crestron products are listed at <http://www.crestron.com/legal/patents>.

The product warranty can be found at www.crestron.com/warranty.

Certain Crestron products contain open source software. For specific information, please visit www.crestron.com/opensource.

Crestron, the Crestron logo, AV Framework, AirMedia, and Crestron Fusion are either trademarks or registered trademarks of Crestron Electronics, Inc. in the United States and/or other countries. The microSD logo is either a trademark or registered trademarks of SD-3C LLC in the United States and/or other countries. UL and the UL logo are either trademarks or registered trademarks of Underwriters Laboratories, Inc. in the United States and/or other countries. Other trademarks, registered trademarks, and trade names may be used in this document to refer to either the entities claiming the marks and names or their products. Crestron disclaims any proprietary interest in the marks and names of others. Crestron is not responsible for errors in typography or photography.

This document was written by the Technical Publications department at Crestron.

©2017 Crestron Electronics, Inc.