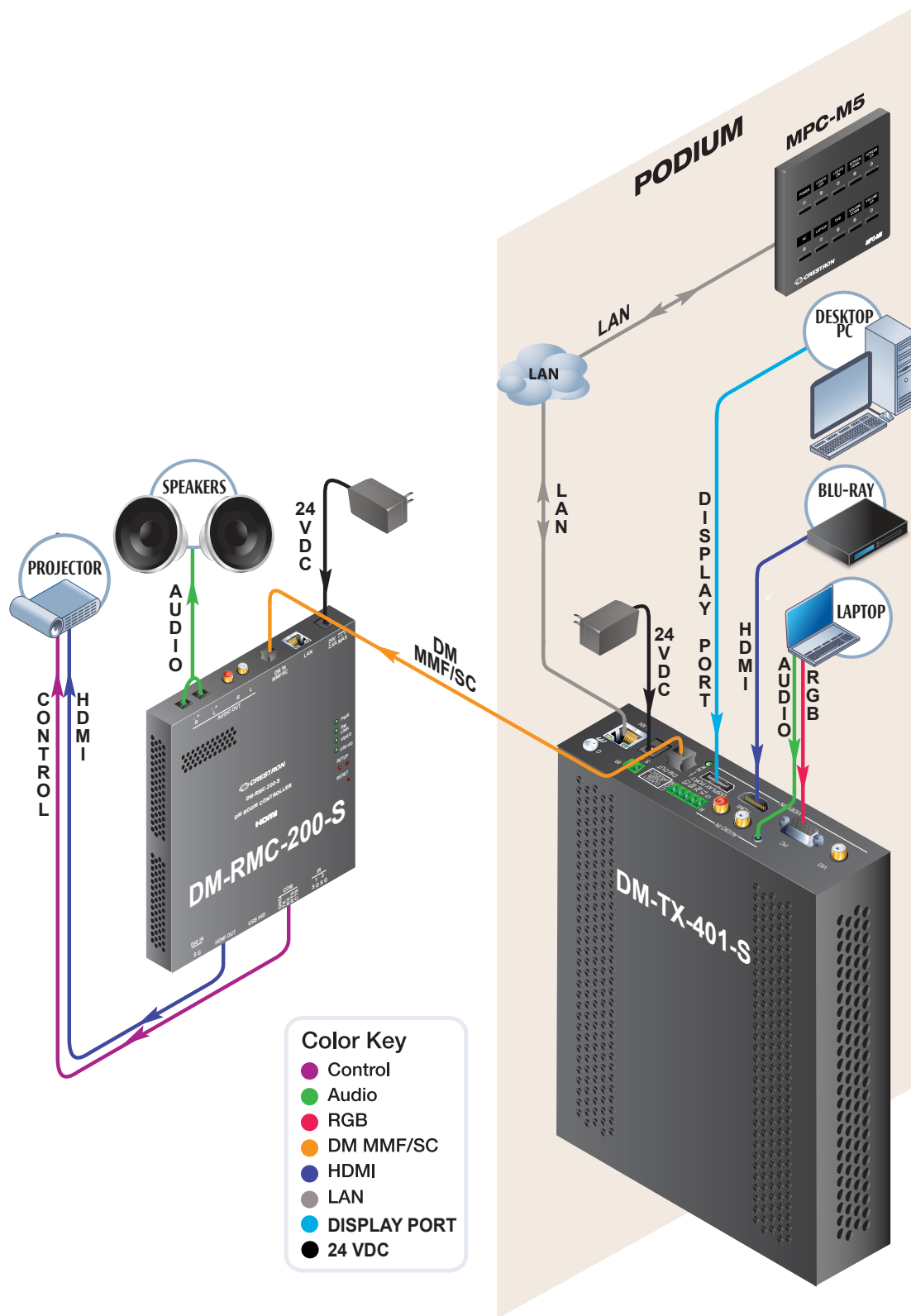


DM-TX-401-S & DM-RMC-200-S



Crestron Electronics

15 Volvo Drive, Rockleigh, NJ 07647
 Phone 800.237.2041 • Fax 201.767.3400
 crestron.com

