



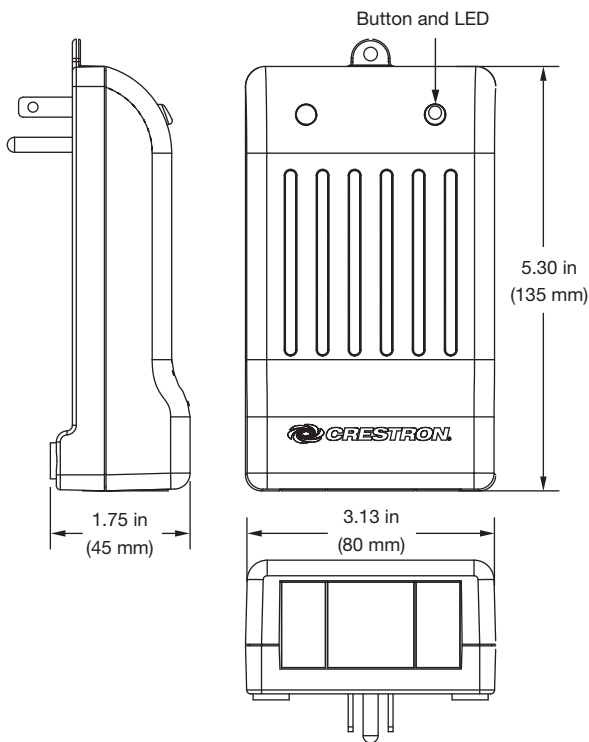
Description

The Crestron® CLW-EXPEX is a two-way RF wireless expander designed to extend the range of an infiNET EX® network. Requiring only a standard 120 Vac power outlet, the CLW-EXPEX can be installed easily and discreetly to fill any dead space between rooms.

CLW-EXPEX Specifications

SPECIFICATION	DETAILS
Power Requirements	120 Vac, 60 Hz
Environmental	
Temperature	32° to 104°F (0° to 40°C)
Humidity	10% to 90% RH (non-condensing)
Dimensions	
Height	5.71 in (145 mm); 5.30 in (135 mm) without upper tab
Width	3.13 in (80 mm)
Depth	1.75 in (45 mm) not including power plug blades

CLW-EXPEX (CLW-EXPEX-GD-W-T Shown)



Additional Resources

Visit the product page on the Crestron website (www.crestron.com) or scan the QR code to the right for additional information and the latest firmware updates.



Installation

NOTES: Observe the following points.

- This product should be installed and used in accordance with appropriate electrical codes and regulations.
- This product should be installed by a qualified electrician.

NOTE: Before using the CLW-EXPEX, ensure the device is using the latest firmware. Check for the latest firmware for the CLW-EXPEX at www.crestron.com/firmware. Firmware is loaded onto the device using Crestron Toolbox™.

Follow the procedure below to install the CLW-EXPEX.

- Connect the CLW-EXPEX to a wall outlet.
- Secure the CLW-EXPEX to the wall plate (optional).

Wireless Communications

The device connects to the Crestron network via the infiNET EX communications protocol. Use the procedures outlined below to join or leave an infiNET EX network and to verify communications between the device and the control system.

Joining an infiNET EX Network

Before a device can be used in a lighting system, it must first join an infiNET EX network by being acquired by an infiNET EX gateway.

NOTE: A device can be acquired by only one gateway.

- Put the infiNET EX gateway into Acquire mode from the unit itself or from Crestron Toolbox, as described in its manual at www.crestron.com/manuals.

NOTE: In an environment where multiple gateways are installed, only one gateway should be in Acquire mode at any time.

- Place the device into Acquire mode.
 - Tap the button three times, and then press and hold it down (tap-tap-tap-press+hold) until the LED on the device blinks once (this can take up to 10 seconds).
 - Release the button to start the acquire process. The LED blinks slowly to show that the device is actively scanning the infiNET EX network.
 - The LED turns on for 5 seconds to show that the device has been successfully acquired by the infiNET EX network.
 - The LED blinks fast to indicate that the device was not successfully acquired by the infiNET EX network. Press the button to acknowledge failure to acquire the infiNET EX network. Ensure the gateway is in Acquire mode and within range before attempting the acquire process again.
- Once all devices have been acquired, take the gateway out of Acquire mode. Refer to the gateway's operations guide for details.

Leaving an infiNET EX Network

To leave an infiNET EX network, put the device into Acquire mode, as described in "Joining an infiNET EX Network" above, when no gateway is in Acquire mode.

Verifying Communications Status

To check the communications status of the device, tap the button three times, and then press and hold it down (tap-tap-tap-press+hold) for up to 2 seconds. The green LED blinks to indicate the communications status. Refer to the following table for details.

LED	COMMUNICATIONS STATUS
Turns on for 5 seconds	The device is communicating with the control system.
Blinks three times	The device is communicating with the gateway, but the gateway is not communicating with the control system.
Blinks twice	The device was previously joined to the network but is not communicating with the gateway.
Blinks once	The device is not joined to the network.

Troubleshooting

The following table provides corrective action for possible trouble situations. If further assistance is required, please contact a Crestron customer service representative.

CLW-EXPEX Troubleshooting

TROUBLE	PROBABLE CAUSE(S)	CORRECTIVE ACTION
The LED blinks continuously after trying to acquire the device.	The acquire process failed because the device was out of range from the gateway.	Move the device closer to the gateway and attempt the acquire process again.
	The gateway is not in Acquire mode.	Place the gateway into Acquire mode and attempt to acquire the device again.
The unit does not extend RF range.	The unit is not acquired.	Place the gateway into Acquire mode and attempt to acquire the device again.

This product is Listed to applicable UL Standards and requirements by Underwriters Laboratories Inc.



Federal Communications Commission (FCC) Compliance Statement

This device complies with part 15 of the FCC Rules. Operation is subject to the following two conditions: (1) This device may not cause harmful interference, and (2) this device must accept any interference received, including interference that may cause undesired operation.

CAUTION: Changes or modifications not expressly approved by the manufacturer responsible for compliance could void the user's authority to operate the equipment.

NOTE: This equipment has been tested and found to comply with the limits for a Class B digital device, pursuant to part 15 of the FCC Rules. These limits are designed to provide reasonable protection against harmful interference in a residential installation. This equipment generates, uses and can radiate radio frequency energy and if not installed and used in accordance with the instructions, may cause harmful interference to radio communications. However, there is no guarantee that interference will not occur in a particular installation. If this equipment does cause harmful interference to radio or television reception, which can be determined by turning the equipment off and on, the user is encouraged to try to correct the interference by one or more of the following measures:

- Reorient or relocate the receiving antenna
- Increase separation between the equipment and the receiver
- Connect the equipment into an outlet on a circuit different from that to which the receiver is connected
- Consult the dealer or an experienced radio/TV technician for help

Industry Canada (IC) Compliance Statement

This device complies with Industry Canada license-exempt RSS standard(s). Operation is subject to the following two conditions: (1) this device may not cause interference, and (2) this device must accept any interference, including interference that may cause undesired operation of the device.

Under Industry Canada regulations, this radio transmitter may only operate using an antenna of a type and maximum (or lesser) gain approved for the transmitter by Industry Canada. To reduce potential radio interference to other users, the antenna type and its gain should be so chosen that the equivalent isotropically radiated power (e.i.r.p.) is not more than that necessary for successful communication.

Industrie Canada (IC) Déclaration de conformité

Le présent appareil est conforme aux CNR d'Industrie Canada applicables aux appareils radio exempts de licence. L'exploitation est autorisée aux deux conditions suivantes: (1) l'appareil ne doit pas produire de brouillage, et (2) l'utilisateur de l'appareil doit accepter tout brouillage radioélectrique subi, même si le brouillage est susceptible d'en compromettre le fonctionnement.

Conformément à la réglementation d'Industrie Canada, le présent émetteur radio peut fonctionner avec une antenne d'un type et d'un gain maximal (ou inférieur) approuvé pour l'émetteur par Industrie Canada. Dans le but de réduire les risques de brouillage radioélectrique à l'intention des autres utilisateurs, il faut choisir le type d'antenne et son gain de sorte que la puissance isotrope rayonnée équivalente (p.i.r.e.) ne dépasse pas l'intensité nécessaire à l'établissement d'une communication satisfaisante.

The product warranty can be found at www.crestron.com/warranty.

The specific patents that cover Crestron products are listed at patents.crestron.com.

Crestron, the Crestron logo, Crestron Toolbox, and infINET EX are either trademarks or registered trademarks of Crestron Electronics, Inc. in the United States and/or other countries. UL and the UL logo are either trademarks or registered trademarks of Underwriters Laboratories, Inc. in the United States and/or other countries. Other trademarks, registered trademarks, and trade names may be used in this document to refer to either the entities claiming the marks and names or their products. Crestron disclaims any proprietary interest in the marks and names of others. Crestron is not responsible for errors in typography or photography.

This document was written by the Technical Publications department at Crestron.

©2015 Crestron Electronics, Inc.

Crestron Electronics, Inc.
15 Volvo Drive Rockleigh, NJ 07647
Tel: 888.CRESTRON
Fax: 201.767.7576
www.crestron.com

Installation Guide - DOC. 6924C
(2026022)
04.15

Specifications subject to
change without notice.