

## Crestron Flex Small Room Conference System with Video Soundbar for Microsoft Teams® Rooms

The UC-B30-T Crestron Flex conferencing system provides a small room video conference solution for use with Microsoft Teams® Rooms software. It supports single or dual video displays and features a tabletop touch screen, UC bracket assembly, and smart soundbar and camera.

**The firmware update for all connected peripherals is managed by the UC Engine and Windows Update.**

### Minimum Requirements:

- A video display (not included) connected to the UC Engine. A second display is optional.
- A Microsoft Teams Rooms provisioned account (not included)



### In the Box

#### Tabletop Touch Screen Device

- 1 10.1 in. Tabletop Touch Screen (6511748)
- 1 Grommet, Cable, Closed (2055455)
- 1 Grommet, Cable, Open (2055456)
- 1 Cover, Cable compartment (2055457)

#### Smart Soundbar with Camera

- 1 Soundbar with Camera (6511283)
- 1 Power supply (2045873) with cord (2042043)
- 1 Cable, USB 3.0, A - B, 6 ft (1.8 m) (2053077)
- Mounting hardware

#### UC Bracket Assembly

- 1 UC Bracket Assembly with UC Engine and HDMI® content ingest (UC-BRKT-200-S-T-ASSY, 6512689)
- 2 Anchor, Drywall, Plastic, 3/8 in. x 1/2 in. (9.5 mm x 12.7 mm) (2052565)
- 1 Key, Anchor (4529654)
- 1 Power cord (2053985)
- 2 Screw, 8-AB x 1-1/2 in. (38.1 mm), Pan Head, Combo (2052567)
- 4 Tie Wrap (2047935)

#### Additional Items

- 1 PoE injector (6502429)
- 1 Cable, CAT6a, RJ-45 - RJ-45, 20 ft (6.1 m) (6507640)
- 2 Cable, CAT5e, RJ-45 - RJ-45, 7 ft (2.1 m) (6509924)
- 1 Cable, DisplayPort™ to HDMI, 6 ft (1.8 m) (6508282)
- 1 Cable, HDMI, 20 ft (6.1 m) (6503567)
- 1 Cable, HDMI, 6 ft (1.8 m) (6503565)

---

## Crestron Flex Small Room Conference System with Video Soundbar for Microsoft Teams® Rooms



### Mount Devices

#### Mount the UC Bracket Assembly

Mount the UC Bracket Assembly to VESA® compliant display devices, a wall, or other building structure. Anchors and screws are supplied for installation on walls 3/8 in. (9.5 mm) to 3/4 in. (19 mm) thickness.

**CAUTION:** Preinstalled screws may protrude from the back of the UC Bracket Assembly. Exercise caution when handling the UC Bracket Assembly to avoid scratching or damaging surfaces.

**NOTE:** The integrated cable tie wraps are reusable. Avoid damaging the cable tie wraps.

#### Mount the Soundbar with Camera

Mount the included smart soundbar with camera according to the [UC-SB1-CAM-FLEX Quick Start](#) (Doc. 8473).

## Crestron Flex Small Room Conference System with Video Soundbar for Microsoft Teams® Rooms

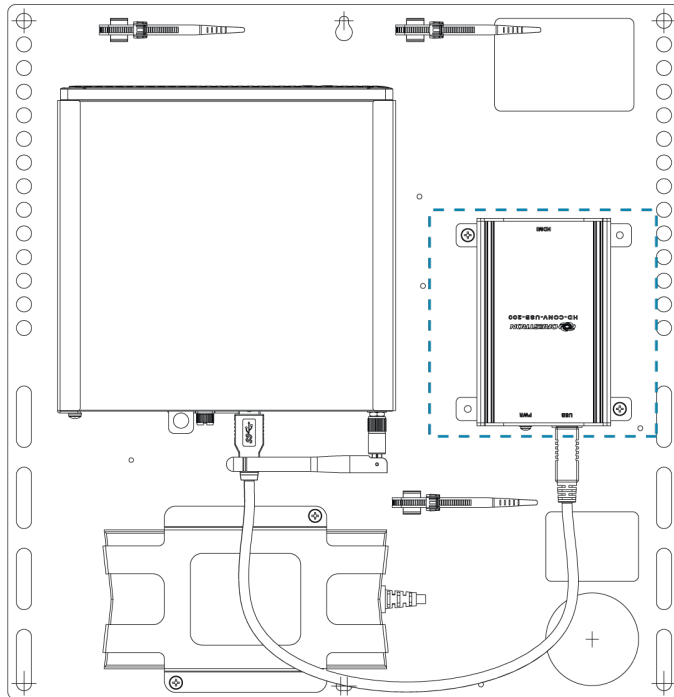


### Connect

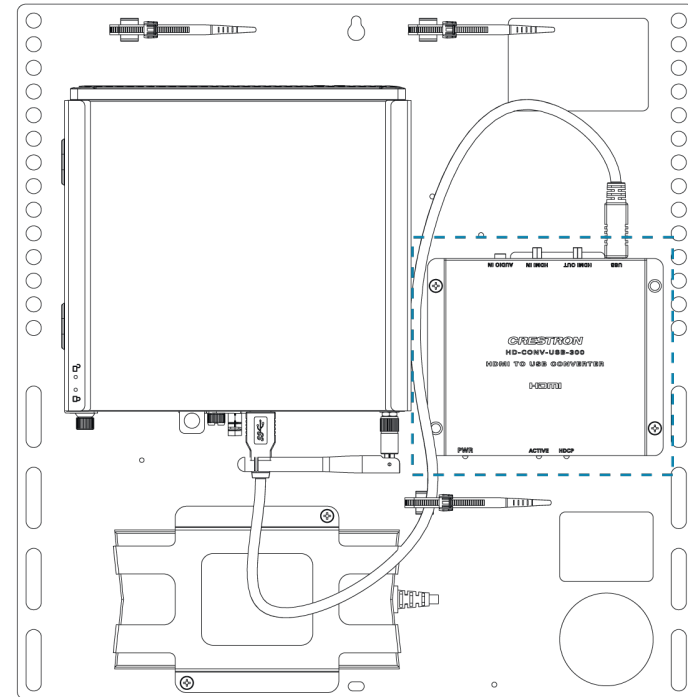
### Identify the UC Bracket Assembly

The UC Bracket Assembly is available in two models. Identify the model included with your Crestron Flex system. Tap or click the corresponding image below to navigate to the appropriate connection instructions.

UC Bracket Assembly with HD-CONV-USB-200



UC Bracket Assembly with HD-CONV-USB-300

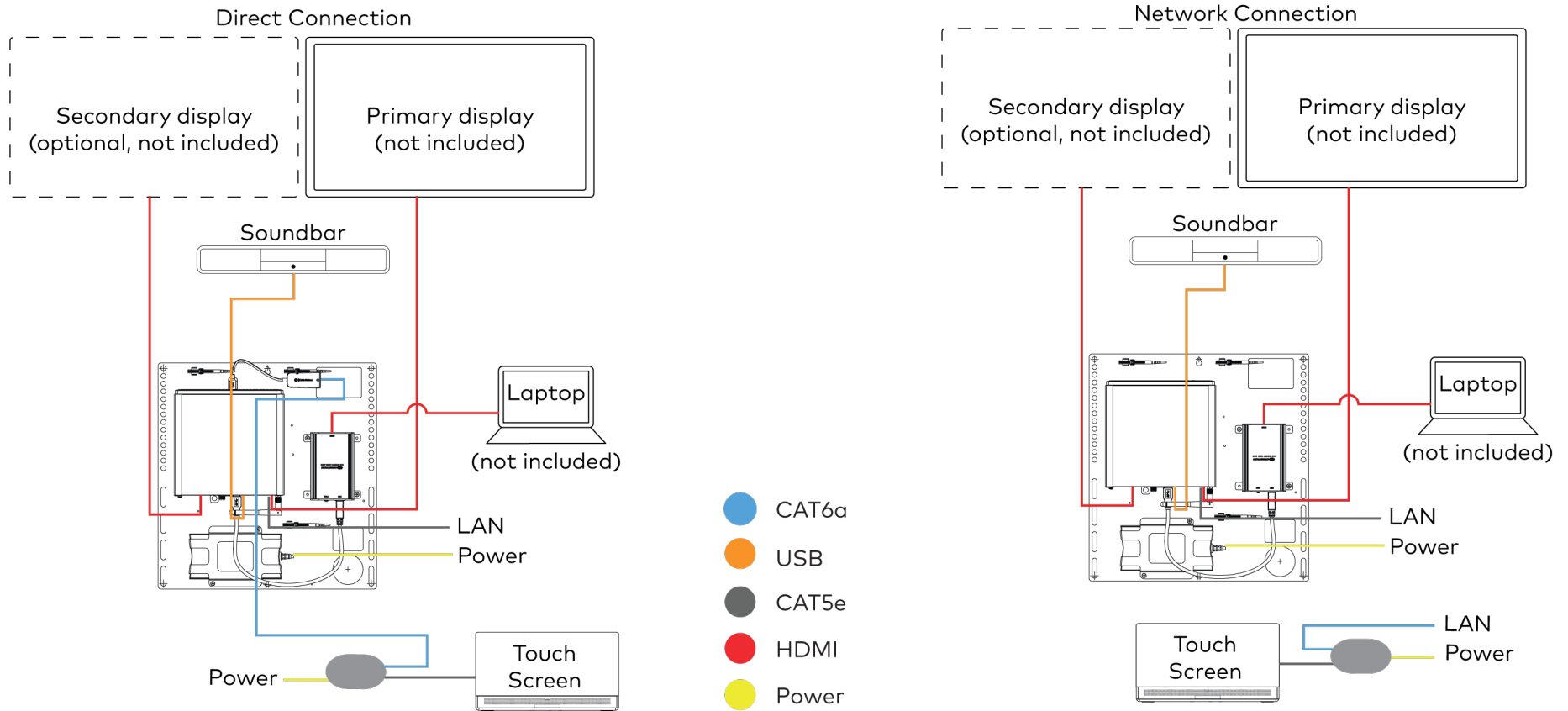


## Crestron Flex Small Room Conference System with Video Soundbar for Microsoft Teams® Rooms

### System Overview

For UC Bracket Assembly with HD-CONV-USB-200

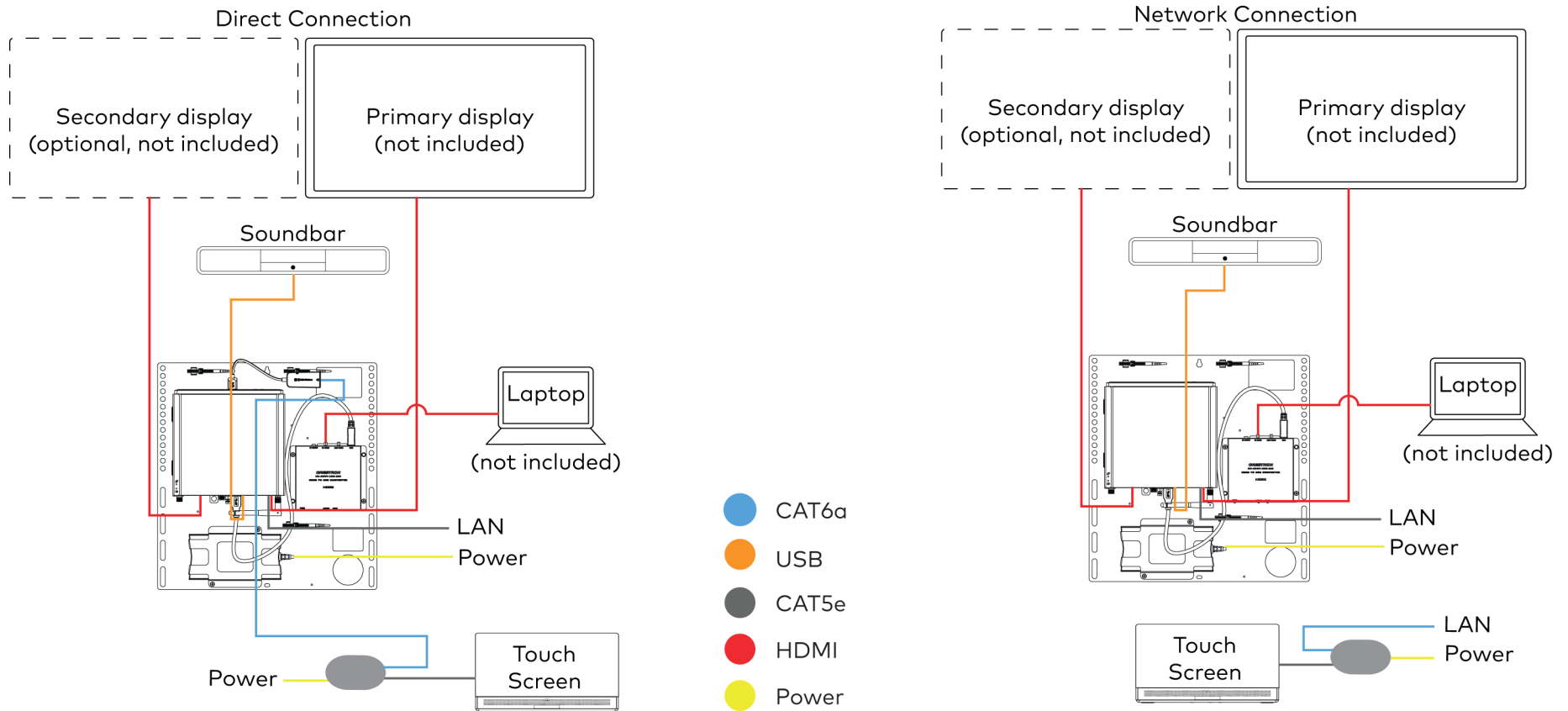
When connections are complete, the system appears as shown below. Refer to [Make Connections](#) for detailed connection instructions.



## Crestron Flex Small Room Conference System with Video Soundbar for Microsoft Teams® Rooms

For UC Bracket Assembly with HD-CONV-USB-300

When connections are complete, the system appears as shown below. Refer to [Make Connections](#) for detailed connection instructions.



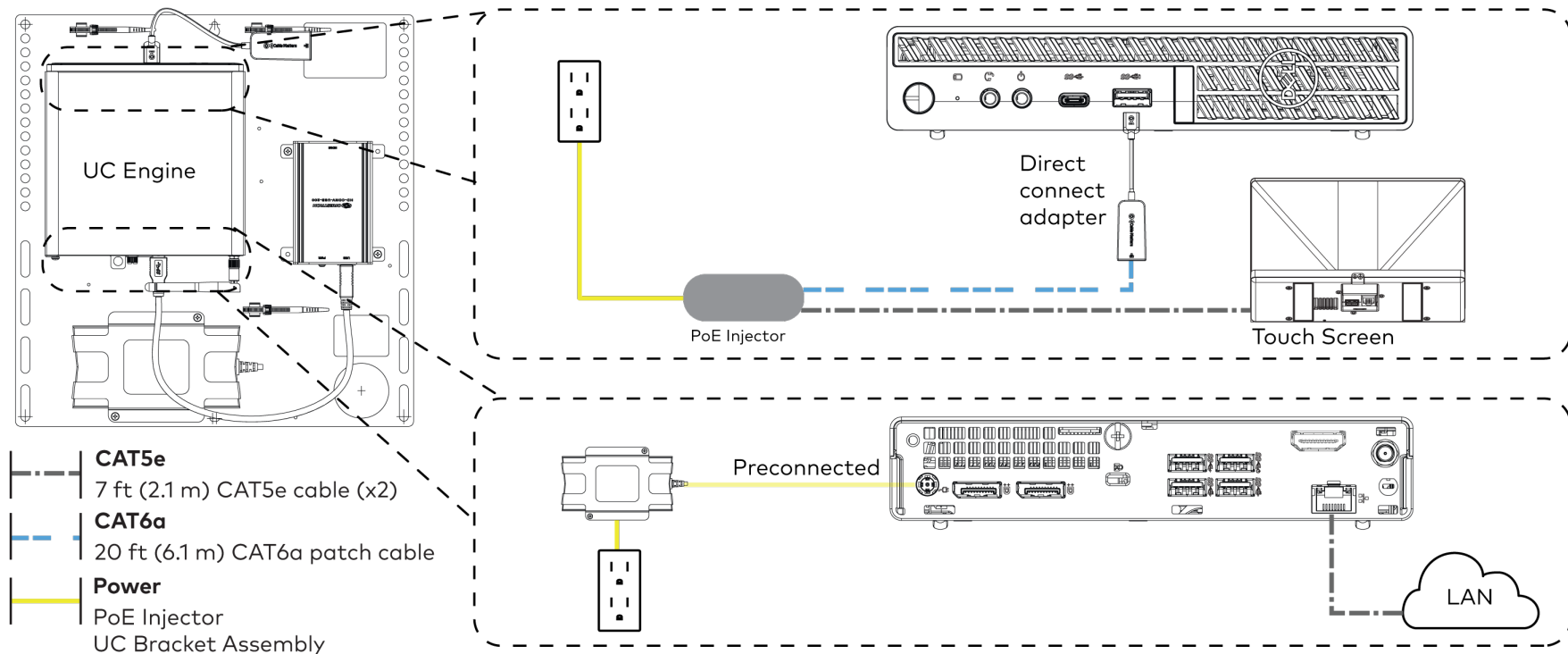
## Crestron Flex Small Room Conference System with Video Soundbar for Microsoft Teams® Rooms

### Make Connections

**NOTE:** For reference, the UC Bracket Assembly is shown with the HD-CONV-USB-200 in the following connection diagrams. Unless otherwise indicated in this guide, the connections remain the same for the UC Bracket Assembly with HD-CONV-USB-200 and HD-CONV-USB-300.

1. Make UC Engine connections as shown in the following illustrations. The touch screen can communicate with the UC Engine over a direct connection or a network connection. Select one of the connection types as described below.
  - Make a direct connection for simple installation and setup. Only use the direct connect adapter to connect the touch screen's PoE injector to the UC Engine. Do not use the direct connect adapter to connect the UC Engine to the network.

#### Direct Connection

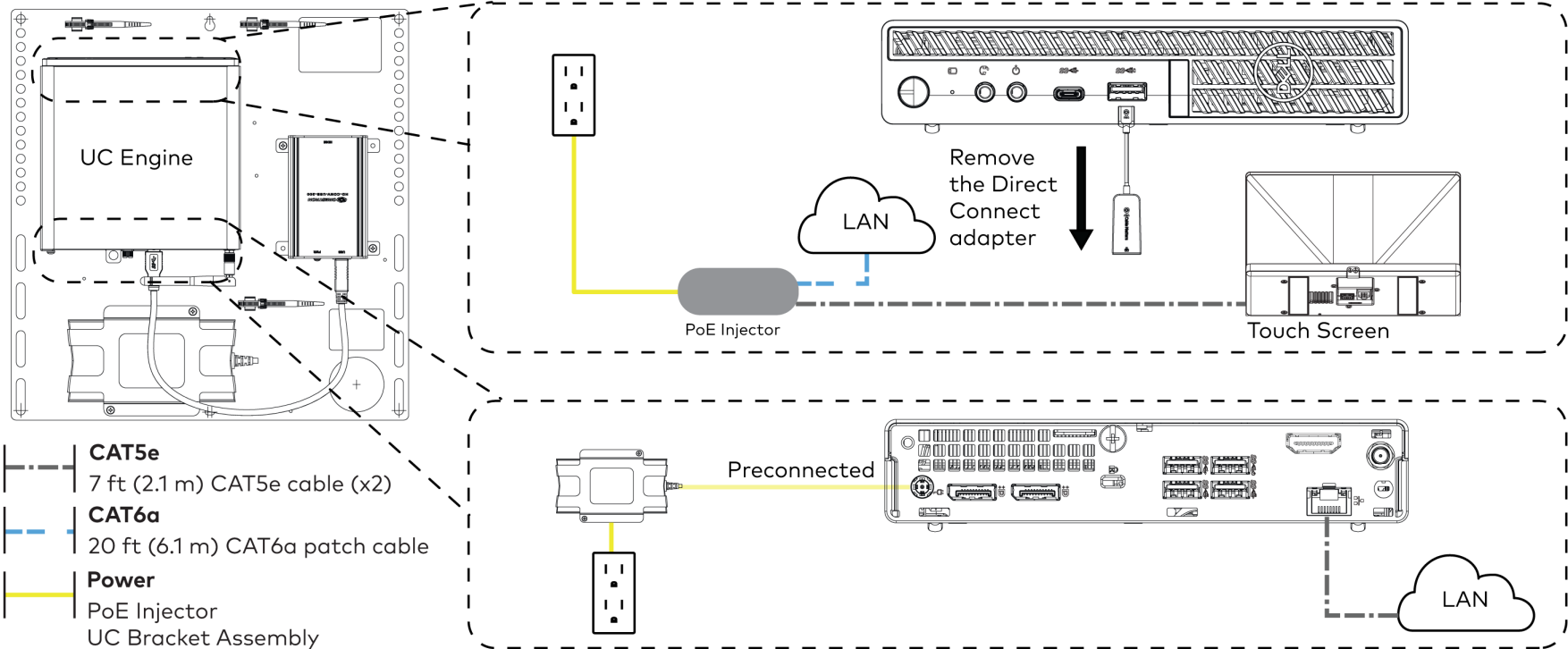


## Crestron Flex Small Room Conference System with Video Soundbar for Microsoft Teams® Rooms

- Make a network connection if the system is to be managed by the XiO Cloud® service.

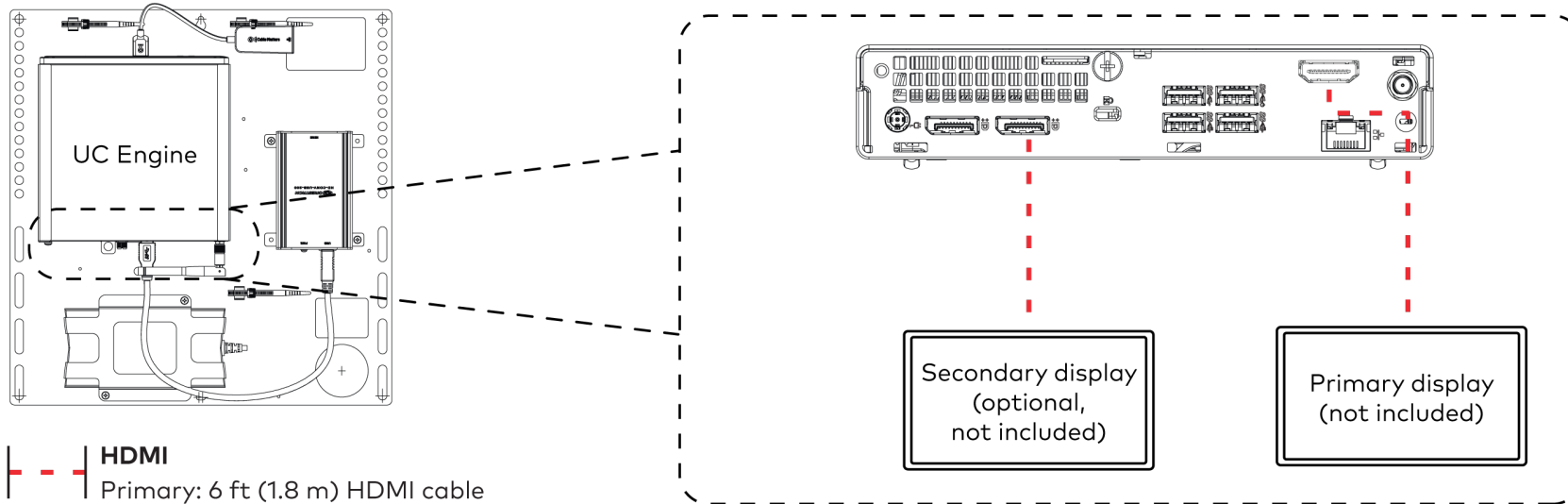
**NOTE:** When a network connection is used, disconnect the direct connect adapter from the UC Engine.

### Network Connection



## Crestron Flex Small Room Conference System with Video Soundbar for Microsoft Teams® Rooms

2. Connect displays to the UC Engine.

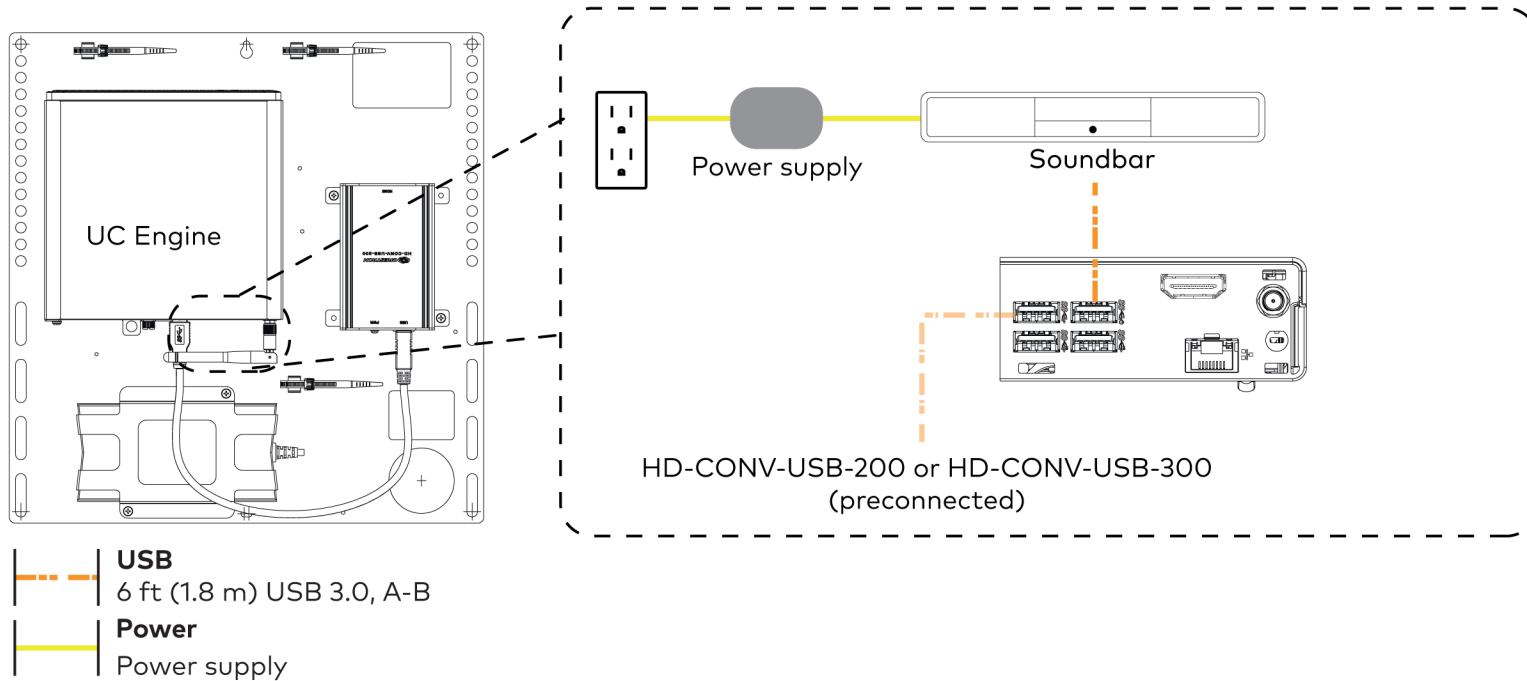


**HDMI**  
Primary: 6 ft (1.8 m) HDMI cable  
Secondary: 6 ft (1.8 m) DisplayPort to HDMI cable



## Crestron Flex Small Room Conference System with Video Soundbar for Microsoft Teams® Rooms

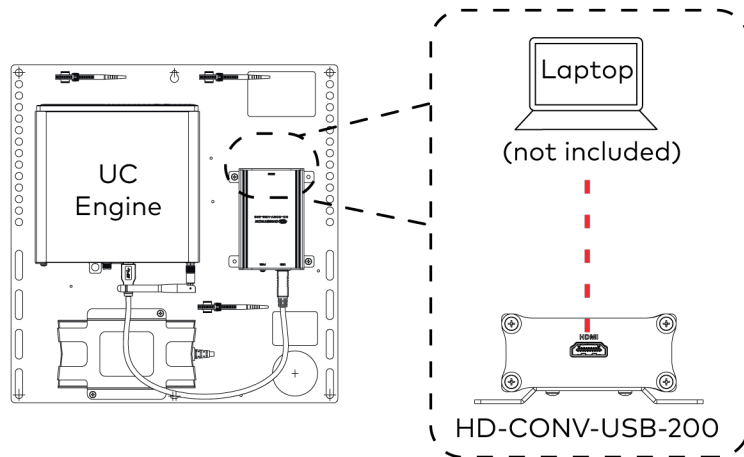
3. Connect the soundbar to the UC Engine as shown in the image below. Do not connect the soundbar to any of the other USB ports.



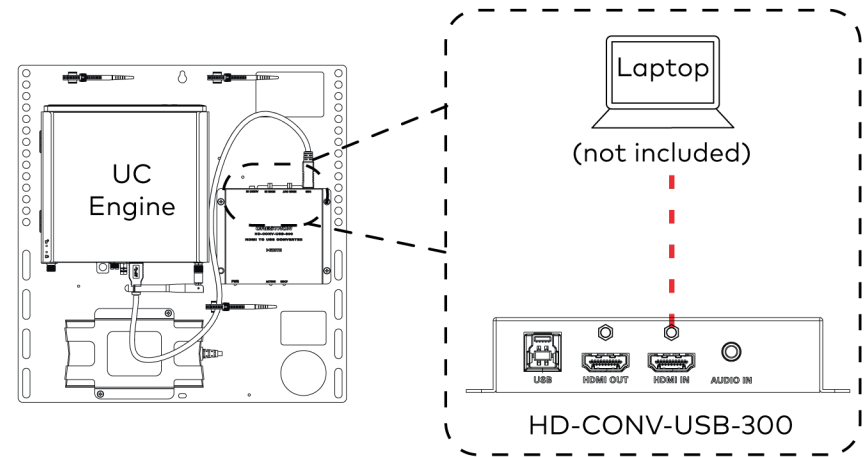
## Crestron Flex Small Room Conference System with Video Soundbar for Microsoft Teams® Rooms

4. Connect a laptop to the HD-CONV-USB-200 or HD-CONV-USB-300.

UC Bracket Assembly with HD-CONV-USB-200



UC Bracket Assembly with HD-CONV-USB-300



or

 **HDMI**  
20 ft (6.1 m) HDMI cable

5. Bundle the cables to the bracket assembly with the integrated cable tie wraps. The cable tie wraps are reusable.

## Crestron Flex Small Room Conference System with Video Soundbar for Microsoft Teams® Rooms



### Configure

#### Apply Power

Press the power button on the bottom of the UC Engine and apply power to all of the other devices in the system.

#### Configure the Touch Screen

**NOTE:** If a direct connection was made during installation, skip to [Configure the System](#).

1. On a computer, open a web browser to the IP address of the touch screen. Log in and navigate to **Settings > Applications**.

##### NOTES:

- The touch screen (via the PoE injector) and computer must be on the same network switch and VLAN.
- A login with administrative rights for the touch screen is required.

2. Enter the following information in the appropriate fields:

- **Teams Video PC Address:** Enter the IP address or hostname of the UC Engine.

**NOTE:** The hostname is printed on a label affixed to the UC Engine (mounted on the UC bracket assembly).

- **Teams Video PC Port:** By default, port number 49500 is used. If a different port number has been configured on the UC Engine, enter that port number instead.
- **Teams Video Username:** Enter the login username for the UC Engine. (The default username is "admin".)
- **Teams Video Password:** Enter the login password for the UC Engine. (The default password is "sfb".)

3. Click **Save Changes**.

#### Configure the System

Use the touch screen and your Microsoft Teams credentials to configure the UC Engine. For detailed information on deploying Microsoft Teams Rooms, refer to the [Microsoft Teams Rooms](#) documentation.

## Crestron Flex Small Room Conference System with Video Soundbar for Microsoft Teams® Rooms



## Visit the Product Page

Scan the QR code to visit the product page.

UC-B30-T



[www.crestron.com/model/6511609](http://www.crestron.com/model/6511609)

## Additional Information

**Original Instructions**

The U.S. English version of this document is the original instructions. All other languages are a translation of the original instructions.

Crestron product development software is licensed to Crestron dealers and Crestron Service Providers (CSPs) under a limited nonexclusive, nontransferable Software Development Tools License Agreement. Crestron product operating system software is licensed to Crestron dealers, CSPs, and end-users under a separate End-User License Agreement. Both of these Agreements can be found on the Crestron website at [www.crestron.com/legal/software\\_license\\_agreement](http://www.crestron.com/legal/software_license_agreement).

The product warranty can be found at [www.crestron.com/warranty](http://www.crestron.com/warranty).

The specific patents that cover Crestron products are listed at [www.crestron.com/legal/patents](http://www.crestron.com/legal/patents).

Certain Crestron products contain open source software. For specific information, visit [www.crestron.com/opensource](http://www.crestron.com/opensource).

Crestron, the Crestron logo, and XiO Cloud are either trademarks or registered trademarks of Crestron Electronics, Inc. in the United States and/or other countries. HDMI is either a trademark or registered trademark of HDMI Licensing LLC in the United States and/or other countries. Microsoft Teams is either a trademark or registered trademark of Microsoft Corporation in the United States and/or other countries. DisplayPort and VESA are either trademarks or registered trademarks of Video Electronics Standards Association in the United States and/or other countries. Other trademarks, registered trademarks, and trade names may be used in this document to refer to either the entities claiming the marks and names or their products. Crestron disclaims any proprietary interest in the marks and names of others. Crestron is not responsible for errors in typography or photography.

©2023 Crestron Electronics, Inc.

Doc. 9277B

01/12/23